

Medical Cart Computer

Venus-243-AMD

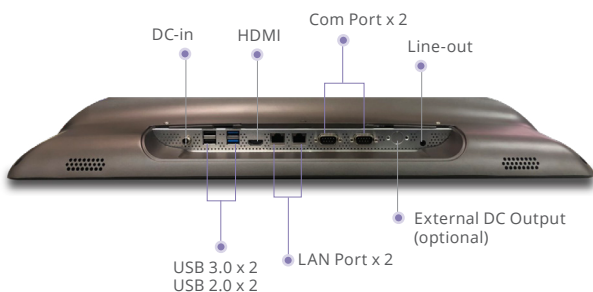
23.8" Dual Hot Swappable Battery Medical Cart Computer



Battery x 1 Battery x 1
 USB 3.0 x 2 Smart Card Reader x 1



Battery x 1 Battery x 1
 USB 3.0 x 2 Smart Card Reader x 1



DC-in HDMI Com Port x 2 Line-out
 USB 3.0 x 2 LAN Port x 2 External DC Output (optional)
 USB 2.0 x 2

Features

- Medical grade certified (EN60601-1/UL60601-1)
- Cleanability with hospital solvents (front IP65/rear IPX1)
- Hot swappable design, support 24/7 run time
- AMD Ryzen™ V1202B / V1605B
- Support remote monitor/control/update (ORION compatible)
- Lightweight design

Specifications

MAIN SPECIFICATIONS

Processor	AMD Ryzen™ V1202B / V1605B
System Memory	Up to DDR4 32GB
OS Support	Microsoft® Windows 10 pro (64bit) Microsoft® Windows 10 IOT Enterprise (64bit) Ubuntu 18.04 LTS
Storage	Up to 512 GB (optional)
Wireless Communication	802.11 ac/a/b/g/n + BT 4.0 (optional)
Touch	PCAP
Speaker	2W x2
Security	TPM2.0 SmartCard Reader RFID ISO 15693 / 14443A (optional)

DISPLAY

Display Size	23.8" VA panel
Resolution	1920 x 1080
Max. Colors	16.7M
Contrast Ratio	3000:1
Luminance (cd/m2)	250

I/O

USB	Rear I/O : USB 3.0 x2, USB 2.0 x2 Side I/O : USB 3.0 x2
Video Out	HDMI
COM	COM port x2 (isolated optional)
Audio	Combo Audio port x1
Security	Kensington slot
Ethernet	Gigabit LAN x 2
DC-in	24V 2.5mm DC connector x1

MECHANICAL AND ENVIRONMENTAL

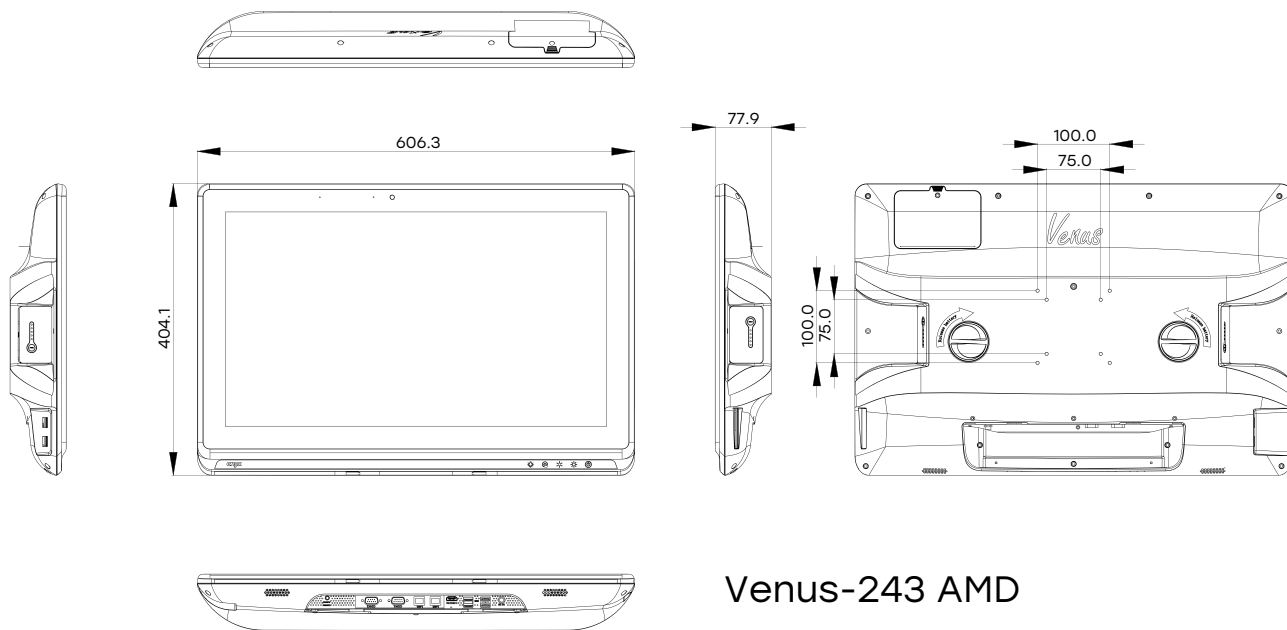
VESA	75/100 mm VESA mount
Operating Temperature	0°C ~ 40°C(32°F ~ 104°F)
Storage Temperature	-20°C ~ 60°C(-4°F ~ 140°F)
Storage Humidity	10%~95%@40°C, non-condensing
Degree of Protection	Front Panel: IP65 ; Rear: IPX1
Dimension	607(L) x 78(W) x 404(H) mm
Net Weight without Battery	8kg (17.6 lbs)
Packing Size	730(L) x 240(W) x 550(H) mm
Gross Weight	12kg (26.5 lbs)

Certifications	CE: EN 60601-1-2: 2015 + A1: 2021 (V4.1), EN 60601-1: 2007 + A1:2013 +A2:2021 (V3.2) EN 55032:2015/A1:2020 EN55035:2017/A11:2020(ITE) IEC62368-1:2020+A11:2020 (ITE) FCC : Part 15B/ Part 18 UL : ANSI AAMI ES60601-1:2005/A1:2012/A2:2021(V3.2) cUL : CAN/CSA-C22.2 No. 60601-1:14 (IEC 60601-1: 2005+A1:2012+A2:2020, MOD) (V3.2)
----------------	---------------------------------------------------------------------------------------------------------------------------------------------------------------------------------------------------------------------------------------------------------------------------------------------------------------------------------------------------------------

ALL PRODUCT, PRODUCT SPECIFICATIONS AND DATA ARE SUBJECT TO CHANGE WITHOUT NOTICE TO IMPROVE RELIABILITY, FUNCTION OR DESIGN OR OTHERWISE.

23.8" Dual Hot Swappable Battery Medical Cart Computer

Dimension / Unit: mm



Venus-243 AMD



Ordering Information

- VENUS-243-G12-A1-0402
Cart Computer.AMD V1202B . 24". 4G. SCR . TPM. XL Battery x2

Optional Accessories

- 1255301501
Medical Adaptor. 100-240V/1.0-2.5A 24V/6.25A 150W
- OPM-S02R-A1
RFID Reader Kit
- OPM-C15W-A8
WLAN dual band module Kit . Intel 802.11a/b/g/n/ac +BT 5
- UP-L62-A1-1010
6-Slot Charger + 24V/250W adaptor
- UP-P22-A2-1010
2-Slot Charger + 24V Medical adaptor
- OPM-V02C-05
5MP Camera kit with Mic