

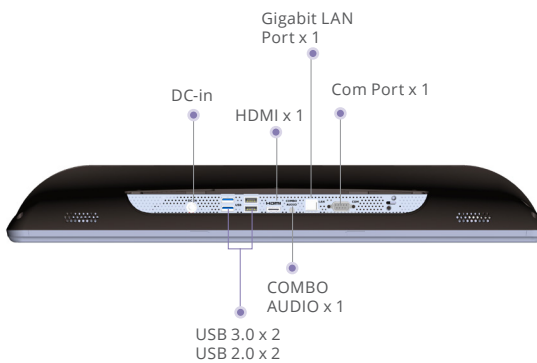
# Medical Cart Computer

# Venus-223

## 21.5" Dual Hot Swappable Battery Medical Cart Computer



Battery x 1      Battery x 1  
 USB 3.0 x 2      Smart Card Reader x 1



Gigabit LAN Port x 1  
 DC-in      HDMI x 1      Com Port x 1  
 COMBO AUDIO x 1  
 USB 3.0 x 2  
 USB 2.0 x 2

## Features

- Highest level of medical safety protection
- Cleanability with hospital solvents (front IP65)
- Hot swappable design, support 24/7 run time
- Intel® Skylake Dual-Core i5 / Quad-Core J1900
- Support remote monitor/control/update (ORION compatible)
- Lightweight design
- Front reading light bar

## Specifications

### MAIN SPECIFICATIONS

Processor	Intel® Skylake Dual-Core i5 / i7
System Memory	DDR4 up to 32GB
OS Support	Microsoft® Windows 7 Microsoft® Windows 8.1 Microsoft® Windows 10 Ubuntu 18.04 LTS IGEL (thin client solution)
Graphics	Intel® HD Graphics 520
Storage	SSD up to 512GB (optional)
Wireless Communication	802.11 ac/a/b/g/n + BT 4.0 (optional)
Camera	2MP/5MP camera (optional)
Touch	PCT, R-TS (optional)
Speaker	2W x2
Security	TPM 2.0 Smart Card Reader, RFID ISO 15693/14443A (optional)

### DISPLAY

Display Size	21.5" VA panel
Resolution	1920 x 1080
Max. Colors	16.7M
Contrast Ratio	1000:1
Luminance (cd/m2)	250

### I/O

USB	Rear I/O : USB 3.0 x2, USB 2.0 x2 Side I/O : USB 3.0 x2
Video Out	HDMI 1.4 x1
COM	COM port x1
Audio	Combo audio port x1
Security	Kensington slot
Ethernet	Gigabit LAN x1
DC-in	24V DC-in x1

### MECHANICAL AND ENVIRONMENTAL

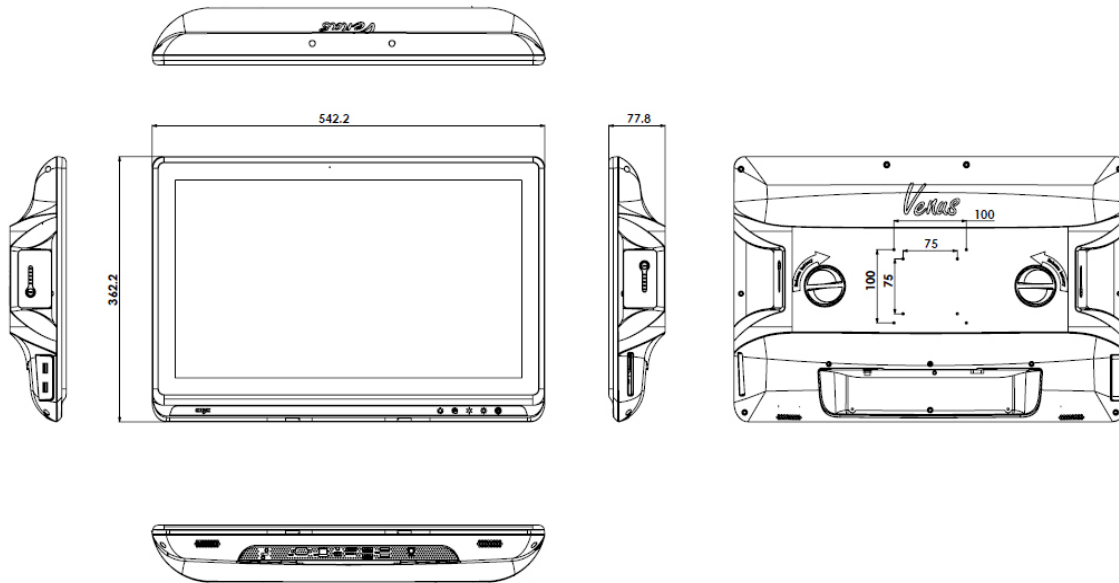
VESA	75/100 mm VESA mount
Operating Temperature	0°C ~ 40°C (32°F ~ 104°F)
Storage Temperature	-20°C ~ 60°C (-4°F ~ 140°F)
Storage Humidity	10%~95%@40°C, non-condensing
Degree of Protection	Front Panel: IP65 ; Rear: IPX1
Dimension	542(L) x 78(W) x 362(H) mm
Net Weight	7kg (15.4 lbs)
Packing Size	645(L) x 210(W) x 513(H) mm
Gross Weight	11kg (24.3 lbs)

Certifications	CE : EN 60601-1-2: 2015 + A1: 2021 ( V4.1), EN 60601-1: 2007 + A1:2013 +A2:2021 ( V3.2) EN 55032:2015/A1:2020 EN55035:2017/A11:2020( ITE) IEC62368-1:2020+A11:2020 ( ITE) FCC : Part 15B/ Part 18 UL : ANSI AAMI ES60601-1:2005/A1:2012/A2:2021( V3.2) cUL : CAN/CSA-C22.2 No. 60601-1:14 (IEC 60601-1: 2005+A1:2012+A2:2020,MOD) ( V3.2)
----------------	--

ALL PRODUCT, PRODUCT SPECIFICATIONS AND DATA ARE SUBJECT TO CHANGE WITHOUT NOTICE TO IMPROVE RELIABILITY, FUNCTION OR DESIGN OR OTHERWISE.

## 21.5" Dual Hot Swappable Battery Medical Cart Computer

Dimension / Unit: mm



### Ordering Information

- VENUS-223ST-A1-0002  
Cart Computer.i5 6300U.22".Fanless.PCT.SCR.TPM.XL Battery x2
- VENUS-223ET-A7-1010  
Cart Computer. i7. 22". Fanless. R-TS. 4GB RAM. SCR. TPM. XL . Battery x2

### Optional Accessories

- 1255301501  
Medical Adaptor. 100-240V/1.0-2.5A 24V/6.25A 150W
- OPM-S02R-A0  
RFID Reader Kit
- OPM-C15W-A8  
WLAN dual band module Kit.Intel 802.11a/b/g/n/ac+BT 5.
- UP-L62-A1-1010  
6-Slot Charger + 24V/250W adaptor
- UP-P22-A2-1010  
2-Slot Charger + 24V Medical adaptor
- OPM-V02C-04  
5MP Camera kit with Mic