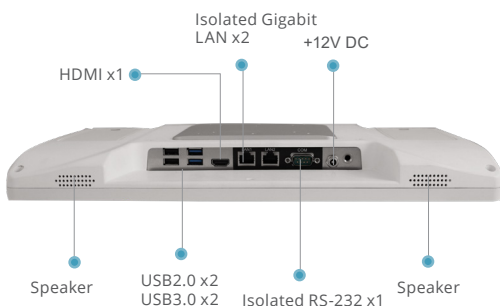


# Medical Power Panel PC

## Venus-153

15.6" Intel i7/i5/i3 Medical Panel PC with Dual Battery



### Features

- Highest level of medical safety protection , EMC4.1/ Safety 3.2
- Cleanability with hospital solvents
- Hot swappable design, support 24/7 run time
- Intel® Skylake Dual-Core i5
- Support remote monitor/control/update (ORION compatible)
- isolated LAN / COM port

### Specifications

#### MAIN SPECIFICATIONS

Processor	Intel® Skylake Dual-Core i5 / Celeron 3955U
System Memory	DDR4 up to 16GB
OS Support	Microsoft® Windows 7 Microsoft® Windows 8.1 Microsoft® Windows 10 Ubuntu 18.04 LTS IGEL (thin client solution)
Graphics	Intel® HD Graphics 520
Storage	M.2 SSD up to 512GB (optional)
Wireless Communication	802.11 ac/a/b/g/n + BT 4.0 (optional)
Touch	Project Capacitive Touch / Resistive Touch
Speaker	3W x2
Security	TPM 2.0

#### DISPLAY

Display Size	15.6"
Resolution	1920 x 1080
Max. Colors	262K
Contrast Ratio	500:1
Luminance (cd/m2)	220

#### I/O

USB	USB 3.0 x2, USB 2.0 x2
Video Out	HDMI x1
COM	COM port x1
Ethernet	Gigabit LAN x 2
DC-in	12V DC-in x1

#### MECHANICAL AND ENVIRONMENTAL

VESA	75/100 mm VESA mount
Operating Temperature	0°C – 35°C(32°F – 95°F)
Storage Temperature	-20°C – 60°C(-4°F – 140°F)
Storage Humidity	10%~95%@40°C, non-condensing
Degree of Protection	Front Panel: IP65 ; Rear: IPX1
Dimension	392(L) x 43(W) x 265(H) mm
Net Weight	2.7kg
Packing Size	520(L) x 190(W) x 400(H) mm
Gross Weight	4.7 Kg

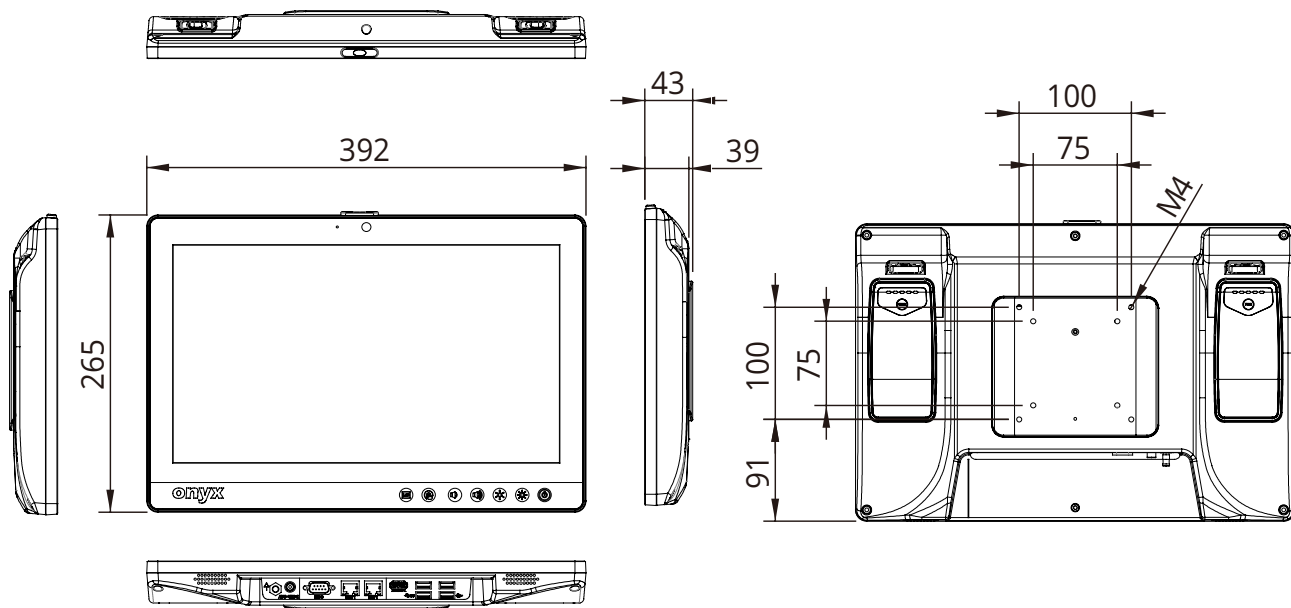
#### Certifications

CE : EN 60601-1-2: 2015 + A1: 2021 ( V4.1),  
EN 60601-1: 2007 + A1:2013 +A2:2021 ( V3.2)  
EN 55032:2015/A1:2020  
EN55035:2017/A11:2020( ITE)  
IEC62368-1:2020+A11:2020 ( ITE)  
FCC : Part 15B/ Part 18  
UL : ANSI AAMI ES60601-1:2005/A1:2012/A2:2021( V3.2)  
cUL : CAN/CSA-C22.2 No. 60601-1:14 (IEC 60601-1:  
2005+A1:2012+A2:2020,MOD) ( V3.2)  
TELEC :JAPAN TELEC

ALL PRODUCT, PRODUCT SPECIFICATIONS AND DATA ARE SUBJECT TO CHANGE WITHOUT NOTICE TO IMPROVE RELIABILITY, FUNCTION OR DESIGN OR OTHERWISE.

## 15.6" Intel i7/i5/i3 Medical Panel PC with Dual Battery

### Dimension / Unit: mm



### Ordering Information

- VENUS-153-R63-A1-0001  
Mobile Computer , i5 6300U ,15.6" Fanless, R-TS . TPM . Battery x 2
- VENUS-153-P39-A1-0001  
Mobile Computer ,Celeron 3955U ,15.6" Fanless, PCAP . TPM . Battery x 2

### Optional Accessories

- 1757306039  
Medical Adaptor , 12V/60W
- OPM-C15W-A5  
WLAN dual band module Kit.Intel 802.11a/b/g/n/ac+BT 5.
- UP-M62-A1-1010  
6-Slot Charger + 24V / 120W adaptor
- OPM-V02C-03  
5MP Camera kit with Mic