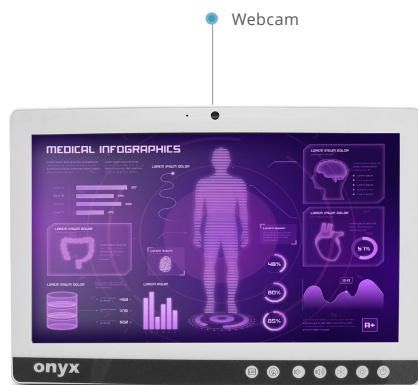


Medical Power AI Panel PC

# Venus-124 Plus

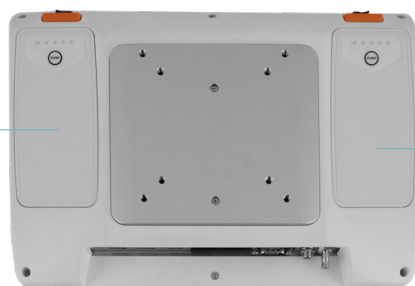
11.6" Intel Medical AI Panel PC with Dual Battery

Preliminary



Webcam

Function Keys



Swappable Battery Pack x 1

Swappable Battery Pack x 1

## Features

- Intel® Meteor Lake Core™ Ultra 125U
- Highest level of medical safety protection , EMC4.1/ Safety 3.2
- Cleanability with hospital solvents
- Hot swappable design, support 24/7 run time
- Support remote monitor/control/update (ORION compatible)
- isolated LAN / COM port

## Specifications

### MAIN SPECIFICATIONS

Processor	Intel® Meteor Lake Core™ Ultra 125U
System Memory	DDR5 up to 32GB
OS Support	Microsoft® Windows 11 Ubuntu 24.04 LTS IGEL (thin client solution)
Graphics	Intel® HD Graphics
Storage	M.2 SSD up to 1TB (optional)
Wireless Communication	WiFi6E + BT 5.3 (optional)
Touch	Project Capacitive Touch / Resistive Touch
Speaker	3W x2
Security	TPM 2.0

### DISPLAY

Display Size	11.6"
Resolution	1366 x 768
Max. Colors	262K
Contrast Ratio	500:1
Luminance (cd/m2)	250

### I/O

USB	USB 3.0 x2, USB 2.0 x1
Video Out	DP x1
COM	Isolated COM port x1(optional)
Ethernet	Gigabit LAN x 3
DC-in	12V DC-in x1

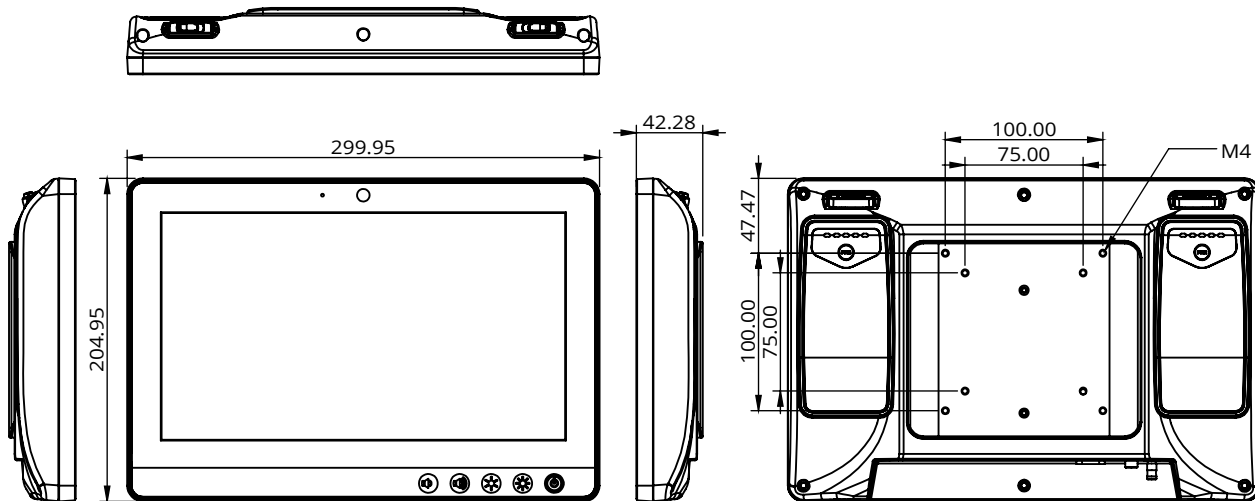
### MECHANICAL AND ENVIRONMENTAL

VESA	75/100 mm VESA mount
Operating Temperature	0°C ~ 35°C(32°F ~ 95°F)
Storage Temperature	-20°C ~ 60°C(-4°F ~ 140°F)
Storage Humidity	10%~95%@40°C, non-condensing
Degree of Protection	Front Panel: IP65 ; Rear: IPX1
Dimension	300(L) x 43(W) x 205(H) mm
Net Weight	1.9kg
Packing Size	420(L) x 185(W) x 345(H) mm
Gross Weight	2.6 Kg
Certifications	CE : EN 60601-1-2: 2015 + A1: 2021 ( V4.1), EN 60601-1: 2007 + A1:2013 +A2:2021 ( V3.2) EN 55032:2015/A1:2020 EN55035:2017/A11:2020 (ITE) IEC62368-1:2020+A11:2020 ( ITE) FCC : Part 15B/ Part 18 UL : ANSI AAMI ES60601-1:2005/A1:2012/A2:2021( V3.2) cUL : CAN/CSA-C22.2 No. 60601-1:14 (IEC 60601-1: 2005+A1:2012+A2:2020,MOD) ( V3.2) TELEC :JAPAN TELECOM

ALL PRODUCT, PRODUCT SPECIFICATIONS AND DATA ARE SUBJECT TO CHANGE WITHOUT NOTICE TO IMPROVE RELIABILITY, FUNCTION OR DESIGN OR OTHERWISE.

## 11.6" Intel Medical AI Panel PC with Dual Battery

### Dimension / Unit: mm



### Ordering Information

- VENUS-124P-P25-A1-0001  
Mobile Computer , 125U ,11.6" Fanless, PCAP . TPM . Battery x 2

### Optional Accessories

- 125530060C  
Medical Adaptor , 12V/60W
- OPM-C20W-A3  
WLAN dual band module Kit.Intel 802.11a/b/g/n/ac+BT 5.
- UP-M62-A1-1010  
6-Slot Charger + 24V / 120W adaptor
- OPM-V02C-03  
5MP Camera kit with Mic