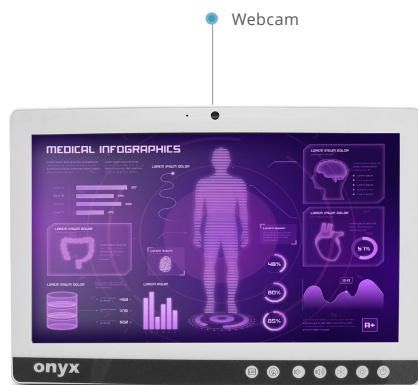


Medical Power AI Panel PC

Venus-124 Plus

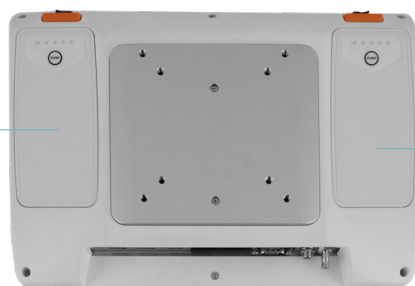
11.6" Intel Medical AI Panel PC with Dual Battery

Preliminary



Webcam

Function Keys



Swappable Battery Pack x 1

Swappable Battery Pack x 1

Features

- Intel® Meteor Lake Core™ Ultra 125U
- Highest level of medical safety protection , EMC4.1/ Safety 3.2
- Cleanability with hospital solvents
- Hot swappable design, support 24/7 run time
- Support remote monitor/control/update (ORION compatible)
- isolated LAN / COM port

Specifications

MAIN SPECIFICATIONS

Processor	Intel® Meteor Lake Core™ Ultra 125U
System Memory	DDR5 up to 32GB
OS Support	Microsoft® Windows 11 Ubuntu 24.04 LTS IGEL (thin client solution)
Graphics	Intel® HD Graphics
Storage	M.2 SSD up to 1TB (optional)
Wireless Communication	WiFi6E + BT 5.3 (optional)
Touch	Project Capacitive Touch / Resistive Touch
Speaker	3W x2
Security	TPM 2.0

DISPLAY

Display Size	11.6"
Resolution	1366 x 768
View angle	178(H) / 178(V)
Max. Colors	262K
Contrast Ratio	500:1
Luminance (cd/m2)	250

I/O

USB	USB 3.0 x2, USB 2.0 x1
Video Out	DP x1
COM	Isolated COM port x1(optional)
Ethernet	Gigabit LAN x 3
DC-in	12V DC-in x1

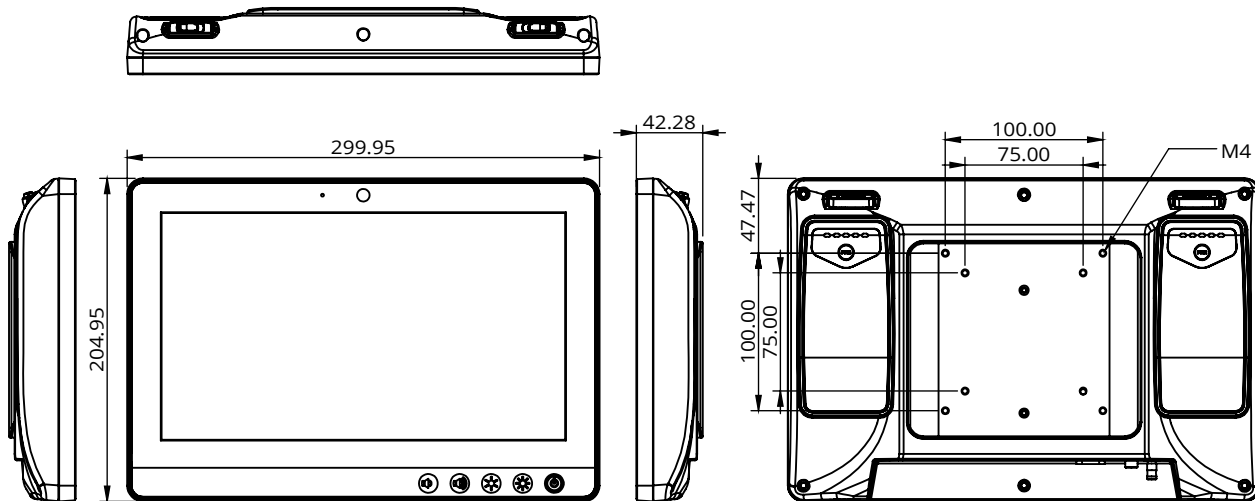
MECHANICAL AND ENVIRONMENTAL

VESA	75/100 mm VESA mount
Operating Temperature	0°C ~ 35°C(32°F ~ 95°F)
Storage Temperature	-20°C ~ 60°C(-4°F ~ 140°F)
Storage Humidity	10%~95%@40°C, non-condensing
Degree of Protection	Front Panel: IP65 ; Rear: IPX1
Dimension	300(L) x 43(W) x 205(H) mm
Net Weight	1.9kg
Packing Size	420(L) x 185(W) x 345(H) mm
Gross Weight	2.6 Kg
Certifications	CE : EN 60601-1-2: 2015 + A1: 2021 (V4.1), EN 60601-1: 2007 + A1:2013 +A2:2021 (V3.2) EN 55032:2015/A1:2020 EN55035:2017/A11:2020(ITE) IEC62368-1:2020+A11:2020 (ITE) FCC : Part 15B/ Part 18 UL : ANSI AAMI ES60601-1:2005/A1:2012/A2:2021(V3.2) cUL : CAN/CSA-C22.2 No. 60601-1:14 (IEC 60601-1:2005+A1:2012+A2:2020,MOD) (V3.2) TELEC :JAPAN TELEC

ALL PRODUCT, PRODUCT SPECIFICATIONS AND DATA ARE SUBJECT TO CHANGE WITHOUT NOTICE TO IMPROVE RELIABILITY, FUNCTION OR DESIGN OR OTHERWISE.

11.6" Intel Medical AI Panel PC with Dual Battery

Dimension / Unit: mm



Ordering Information

- VENUS-124P-P25-A1-0001
Mobile Computer , 125U ,11.6" Fanless, PCAP . TPM . Battery x 2

Optional Accessories

- 125530060C
Medical Adaptor , 12V/60W
- OPM-C20W-A3
WLAN dual band module Kit.Intel 802.11a/b/g/n/ac+BT 5.
- UP-M62-A1-1010
6-Slot Charger + 24V / 120W adaptor
- OPM-V02C-03
5MP Camera kit with Mic