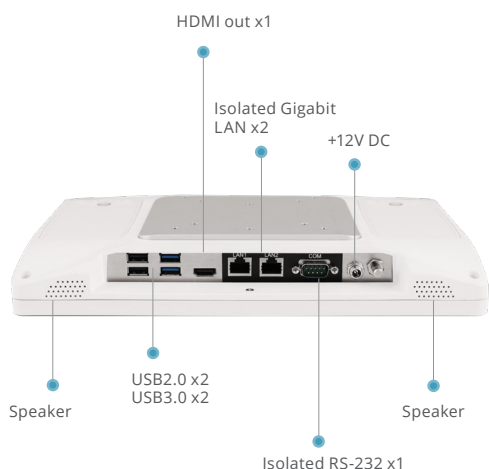


# Medical Power Panel PC

## Venus-123

11.6" Intel i7/i5/i3 Medical Panel PC with Dual Battery



### Features

- Highest level of medical safety protection , EMC4.1/ Safety 3.2
- Cleanability with hospital solvents
- Hot swappable design, support 24/7 run time
- Intel® Skylake Dual-Core i5
- Support remote monitor/control/update (ORION compatible)
- isolated LAN / COM port

### Specifications

#### MAIN SPECIFICATIONS

Processor	Intel® Skylake Dual-Core i5 / Celeron 3955U
System Memory	DDR4 up to 16GB
OS Support	Microsoft® Windows 7 Microsoft® Windows 8.1 Microsoft® Windows 10 Ubuntu 18.04 LTS IGEL (thin client solution)
Graphics	Intel® HD Graphics 520
Storage	M.2 SSD up to 512GB (optional)
Wireless Communication	802.11 ac/a/b/g/n + BT 4.0 (optional)
Touch	Project Capacitive Touch / Resistive Touch
Speaker	2W x2
Security	TPM 2.0

#### DISPLAY

Display Size	11.6"
Resolution	1366 x 768
Max. Colors	262K
Contrast Ratio	500:1
Luminance (cd/m2)	250

#### I/O

USB	USB 3.0 x2, USB 2.0 x2
Video Out	HDMI out x1
COM	COM port x1
Ethernet	Gigabit LAN x 2
DC-in	12V DC-in x1

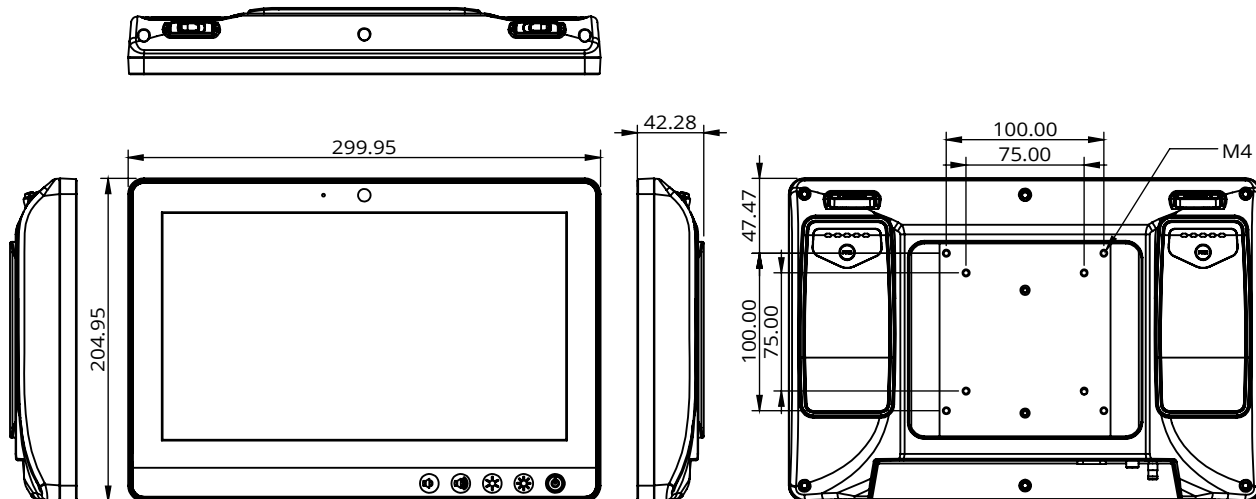
#### MECHANICAL AND ENVIRONMENTAL

VESA	75/100 mm VESA mount
Operating Temperature	0°C ~ 35°C(32°F ~ 95°F)
Storage Temperature	-20°C ~ 60°C(-4°F ~ 140°F)
Storage Humidity	10%~95%@40°C, non-condensing
Degree of Protection	Front Panel: IP65 ; Rear: IPX1
Dimension	300(L) x 43(W) x 205(H) mm
Net Weight	1.9kg
Packing Size	420(L) x 185(W) x 345(H) mm
Gross Weight	2.6 Kg
Certifications	CE : EN 60601-1-2: 2015 + A1: 2021 ( V4.1), EN 60601-1: 2007 + A1:2013 +A2:2021 ( V3.2) EN 55032:2015/A1:2020 EN55035:2017/A1:2020( ITE) IEC62368-1:2020+A11:2020 ( ITE) FCC : Part 15B/ Part 18 UL : ANSI AAMI ES60601-1:2005/A1:2012/A2:2021( V3.2) cUL : CAN/CSA-C22.2 No. 60601-1:14 (IEC 60601-1:2005+A1:2012+A2:2020,MOD) ( V3.2) TELEC :JAPAN TELEC

ALL PRODUCT, PRODUCT SPECIFICATIONS AND DATA ARE SUBJECT TO CHANGE WITHOUT NOTICE TO IMPROVE RELIABILITY, FUNCTION OR DESIGN OR OTHERWISE.

## 11.6" Intel i7/i5/i3 Medical Panel PC with Dual Battery

### Dimension / Unit: mm



### Ordering Information

- VENUS-123-R63-A1-0001  
Mobile Computer , i5 6300U ,11.6" Fanless, R-TS . TPM . Battery x 2
- VENUS-123-P63-A1-0001  
Mobile Computer , i5 6300U ,11.6" Fanless, Pcap . TPM . Battery x 2
- VENUS-123-P39-A1-0001  
Mobile Computer ,3955U ,11.6" Fanless, Pcap . TPM . Battery x 2

### Optional Accessories

- 1757306039  
Medical Adaptor , 12V/60W
- OPM-C15W-A4  
WLAN dual band module Kit.Intel 802.11a/b/g/n/ac+BT 5.
- UP-M62-A1-1010  
6-Slot Charger + 24V / 120W adaptor
- OPM-V02C-02  
5MP Camera kit with Mic