

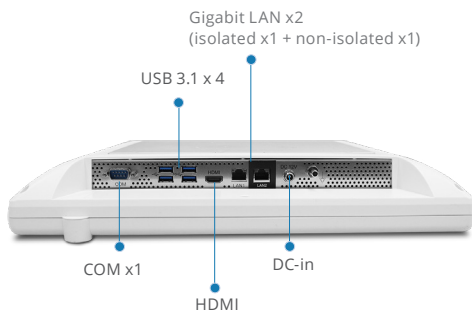
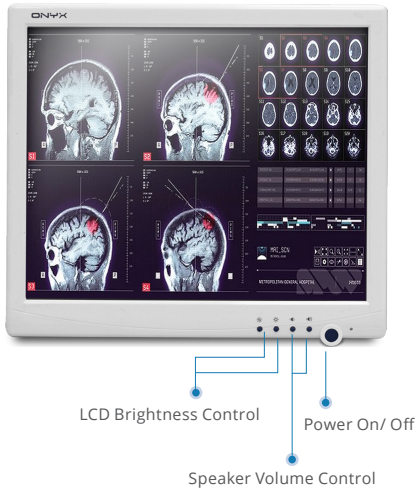
Slim Medical All in One PC

SMA-1733

17" Fanless Slim Medical All in One PC



R 003-220254
T D220163003



Features

- Intel Celeron N6210 / Atom x6211E Dual Core Processor
- 17" High Brightness 350 nits SXGA LCD
- Supports DDR4 SODIMM up to 16GB (optional In-Band ECC support)
- 5-wire Resistive Touch Screen
- Trusted Platform Module / Smart Card Reader(optional) / RFID Reader(optional)
- 802.11ac Wireless LAN(optional)
- +12V DC input

Specifications

MAIN SPECIFICATIONS

Processor	Intel® Celeron N6210 2.6GHz / Atom x6211E 3.0GHz Dual Core Processor
System Memory	Supports DDR4 3200 SODIMM up to 16GB (In-Band ECC with Atom x6211E)
OS Support	Windows® 10, Windows® 11, Linux®
Expansion Interface	M.2 2230(E-key) x 1, Proprietary PCIe[x1] x 1
Storage Disk Drive	M.2 2242 SATA SSD x1
Security	Trusted Platform Module, Smart Card Reader(optional), RFID Reader(optional)
Function Key	Speaker Volume Up/Down, LCD Brightness Up/Down
Wireless Communication	802.11ac, Bluetooth 5.1(optional)
Speaker	3W x 2
Power Requirement	DC 12V

DISPLAY

Size	17" LCD
Resolution	1280 x 1024
Luminance	350 nits
View Angle	170°(H)/160°(V)
Contrast Ratio	1000:1
Back Light Life Time	> 30,000 hours
Touch Screen	5-wire Resistive

I/O

USB	USB 3.1 Gen 1 x4
Serial Port	RS-232 x 1
Ethernet	Gigabit LAN x2 (isolated x1 + non-isolated x1)
Video Out	HDMI 2.0b x 1

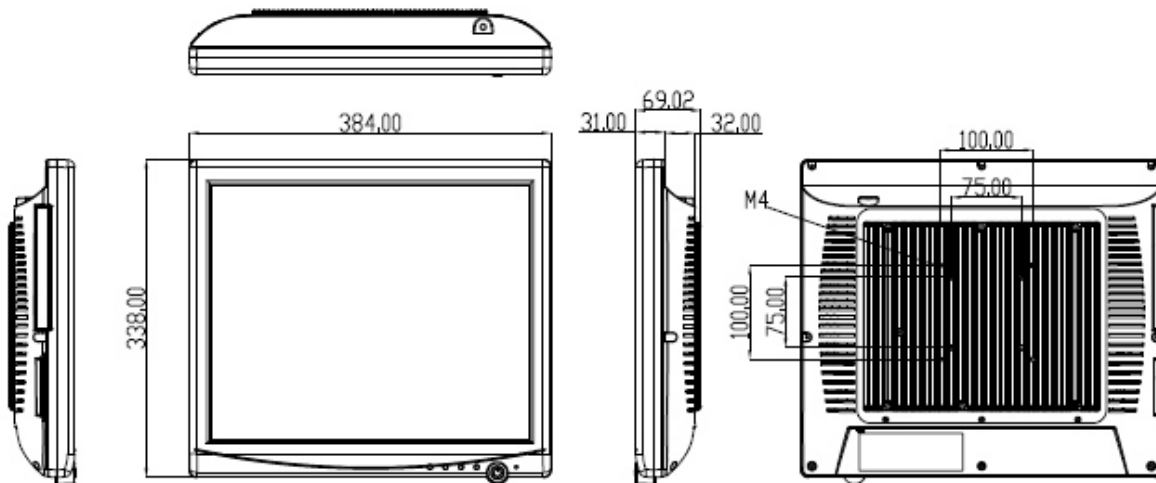
MECHANICAL AND ENVIRONMENTAL

Power Consumption	TBD
Operating Temperature	0°C ~ 40°C(32°F ~ 104°F)
Storage Temperature	-20°C ~ 60°C(-4°F ~ 140°F)
Mounting	VESA 75/100 mm
Degree of Protection	IP65 in the front, IPX1
Dimension	384 x 338 x 69 mm
Package Size	630 x 250 x 640 mm
Gross Weight	9kg (19.84 lb)
Net Weight	5.6kg (12.32lb)

Certifications	CE: EN 60601-1-2: 2015 + A1: 2021 (V4.1), EN 60601-1: 2007 + A1:2013 +A2:2021 (V3.2) EN 55032:2015/A1:2020 EN 55035:2017/A11:2020 (ITE) IEC 62368-1:2020+A11:2020 (ITE) FCC: Part 15B/ Part 18 UL: ANSI AAMI ES60601-1:2005/A1:2012/A2:2021(V3.2) cUL: CAN/CSA-C22.2 No. 60601-1:14 (IEC 60601-1: 2005+A1:2012+A2:2020,MOD) (V3.2) TELEC :JAPAN TELEC
----------------	--

17" Fanless Slim Medical All in One PC

Dimension / Unit: mm



Ordering Information

- SMA-1733-P1-A1-0010
Slim Medial AIO, 17" LCD, Resistive Touch, Celeron N6210, DC 12V
- SMA-1733-P2-A1-0010
Slim Medial AIO, 17" LCD, Resistive Touch, Atom x6211E, DC 12V

Optional Accessories

- 125530060C
Medical Power Adapter, 60W, 12V
- OPM-T008-A1
Smart Card Reader Kit
- OPM-T007-A5
Slim Slot-in DVD-RW Drive
- OPM-C15W-A12
WLAN Kit, IEEE 802.11ac+ Bluetooth 5.1