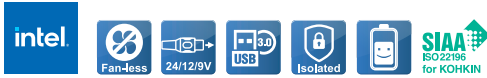


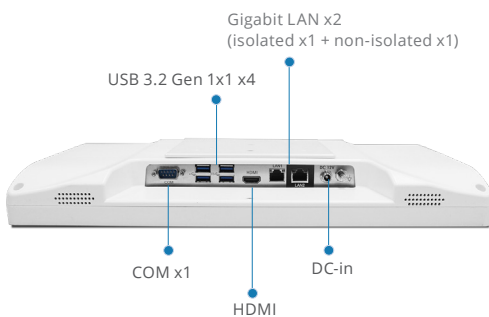
Slim Medical All in One PC

# SMA-1533

15.6" Fanless Slim Medical All in One PC



R 003-220254  
T D220163003



## Features

- Intel® Celeron N6210/Atom x6211E /Atom x6425E Processor
- 15.6" High Brightness 300nit Full HD LCD
- Supports DDR4 SODIMM up to 32GB (optional In-Band ECC support)
- Capacitive Multi-Touch Screen
- Proprietary PCI Express[x1] Interface
- Easy Cleaning Flat Screen
- 4 Programmable Smart Function Keys
- High Speed USB 3.2 Gen 1x1 Ports
- 2.0M/5.0M Pixels Camera with Mic (optional)
- HDMI 2.0b Port for 2nd Display
- RFID Reader (optional)
- +12V DC input / Power over Ethernet(optional)/Power Sourcing equipment (optional)

## Specifications

### MAIN SPECIFICATIONS

Processor	Intel® Atom x6425E 3.0GHz Quad Core Processor, Intel® Atom x6211E 3.0GHz Dual Core Processor, Intel® Celeron N6210 2.6GHz Dual Core Processor
System Memory	Supports DDR4 SODIMM up to 32GB (optional In-Band ECC Support )
Expansion Interface	M.2 2230(E-key) x 1, Proprietary PCIe[x1] x 1
Storage Disk Drive	M.2 2242 (B-key) SATA SSD x1
Security	TPM2.0, RFID Reader(optional)
Wireless Communication	802.11 a/b/g/n/ac/ax + Bluetooth 5.3 (optional)
Speaker	3W x 2
Function Key	LCD Brightness Up/Down, Touch Screen On/Off
Power Requirement	DC 12V / Power over Ethernet(optional)
OS Support	Windows 10, Windows 11 , Linux

### DISPLAY

Size	15.6" LCD
Type	AHVA
Max. Resolution	1920 x 1080
Luminance(cd/m2)(TYP)	300 nits
Max. Colors	16.2 M
Viewing Angle	178°(H)/178°(V)
Contrast Ratio	1000:1
Back Light Life Time	> 30,000 hours
Touch Screen	Capacitive Multi-Touch

### I/O

USB	USB 3.2 Gen 1X1 x4
Serial Port	RS-232 x 1
Ethernet	Gigabit LAN x2 (isolated x1 + non-isolated x1)
Video Out	HDMI 2.0b x 1

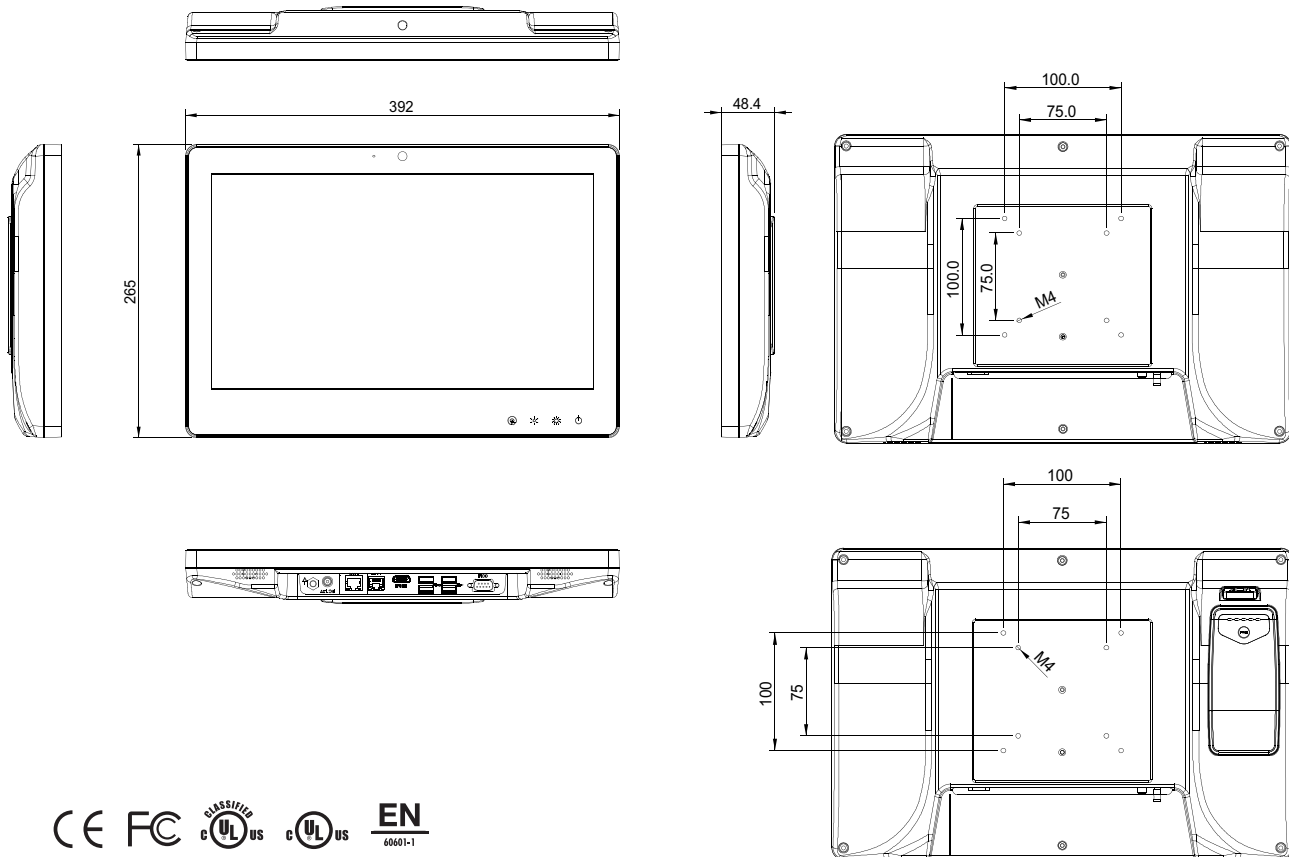
### MECHANICAL AND ENVIRONMENTAL

Power Consumption	Full loading: 48Watts
Operating Temperature	0°C ~ 40°C(32°F ~ 104°F)
Storage Temperature	-20°C ~ 60°C(-4°F ~ 140°F)
Mounting	VESA 75/100 mm
Degree of Protection	Front IP 65, rear IPX1
Dimension	398 x 265 x 47mm
Package Size	520x190x400 mm
Gross Weight	4.3kg (9.5lb)
Net Weight	1.8kg (4.0lb)

Certifications	CE: EN 60601-1-2: 2015 + A1: 2021 (V4.1), EN 60601-1: 2007 + A1:2013 +A2:2021 (V3.2) EN 55032:2015/A1:2020 EN 55035:2017/A1:2020 (ITE) IEC 62368-1:2020+A11:2020 (ITE) FCC: Part 15B/ Part 18 UL: ANSI AAMI ES60601-1:2005/A1:2012/A2:2021(V3.2) cUL: CAN/CSA-C22.2 No. 60601-1:14 (IEC 60601-1: 2005+A1:2012+A2:2020,MOD) (V3.2) TELEC: JAPAN TELEC
----------------	--

## 15.6" Fanless Slim Medical All in One PC

### Dimension / Unit: mm



### Ordering Information

- **SMA-1533-P1-A1-0010**  
Slim Medical AIO, 15.6" FHD LCD, Capacitive Touch, Celeron N6210, DC 12V
- **SMA-1533-P1-A2-0010**  
Slim Medical AIO, 15.6" FHD LCD, Capacitive Touch, Celeron N6210, Battery
- **SMA-1533-P1-A3-0010**  
Slim Medical AIO, 15.6" FHD LCD, Capacitive Touch, Celeron N6210, PoE
- **SMA-1533-P2-A1-0010**  
Slim Medical AIO, 15.6" FHD LCD, Capacitive Touch, Atom x6211E, DC 12V
- **SMA-1533-P2-A2-0010**  
Slim Medical AIO, 15.6" FHD LCD, Capacitive Touch, Atom x6211E, Battery
- **SMA-1533-P2-A3-0010**  
Slim Medical AIO, 15.6" FHD LCD, Capacitive Touch, Atom x6211E, PoE
- **SMA-1533-P3-A1-0010**  
Slim Medical AIO, 15.6" FHD LCD, Capacitive Touch, Atom x6425E, DC 12V
- **SMA-1533-P3-A2-0010**  
Slim Medical AIO, 15.6" FHD LCD, Capacitive Touch, Atom x6425E, Battery
- **SMA-1533-P3-A3-0010**  
Slim Medical AIO, 15.6" FHD LCD, Capacitive Touch, Atom x6425E, PoE

### Optional Accessories

- **1255300841**  
Medical Power Adapter, 84W, 12V
- **OPM-T011-A1**  
2M Pixels Camera with Mic Kit
- **OPM-C20W-A9**  
WLAN Kit, IEEE 802.11 a/b/g/n/ac/ax+ Bluetooth 5.3