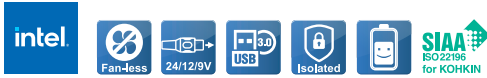


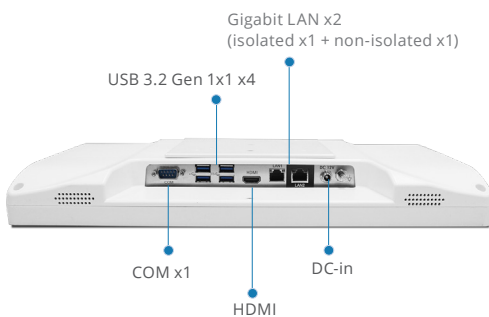
Slim Medical All in One PC

SMA-1533

15.6" Fanless Slim Medical All in One PC



R 003-220254
T D220163003



Features

- Intel® Celeron N6210/Atom x6211E /Atom x6425E Processor
- 15.6" High Brightness 300nit Full HD LCD
- Supports DDR4 SODIMM up to 32GB (optional In-Band ECC support)
- Capacitive Multi-Touch Screen
- Proprietary PCI Express[x1] Interface
- Easy Cleaning Flat Screen
- 4 Programmable Smart Function Keys
- High Speed USB 3.2 Gen 1x1 Ports
- 2.0M/5.0M Pixels Camera with Mic (optional)
- HDMI 2.0b Port for 2nd Display
- RFID Reader (optional)
- +12V DC input / Power over Ethernet(optional)/Power Sourcing equipment (optional)

Specifications

MAIN SPECIFICATIONS

| | |
|------------------------|---|
| Processor | Intel® Atom x6425E 3.0GHz Quad Core Processor, Intel® Atom x6211E 3.0GHz Dual Core Processor, Intel® Celeron N6210 2.6GHz Dual Core Processor |
| System Memory | Supports DDR4 SODIMM up to 32GB (optional In-Band ECC Support) |
| Expansion Interface | M.2 2230(E-key) x 1, Proprietary PCIe[x1] x 1 |
| Storage Disk Drive | M.2 2242 (B-key) SATA SSD x1 |
| Security | TPM2.0, RFID Reader(optional) |
| Wireless Communication | 802.11 a/b/g/n/ac/ax + Bluetooth 5.3 (optional) |
| Speaker | 3W x 2 |
| Function Key | LCD Brightness Up/Down, Touch Screen On/Off |
| Power Requirement | DC 12V / Power over Ethernet(optional) |
| OS Support | Windows 10, Windows 11 , Linux |

DISPLAY

| | |
|-----------------------|------------------------|
| Size | 15.6" LCD |
| Type | AHVA |
| Max. Resolution | 1920 x 1080 |
| Luminance(cd/m2)(TYP) | 300 nits |
| Max. Colors | 16.2 M |
| Viewing Angle | 178°(H)/178°(V) |
| Contrast Ratio | 1000:1 |
| Back Light Life Time | > 30,000 hours |
| Touch Screen | Capacitive Multi-Touch |

I/O

| | |
|-------------|--|
| USB | USB 3.2 Gen 1X1 x4 |
| Serial Port | RS-232 x 1 |
| Ethernet | Gigabit LAN x2 (isolated x1 + non-isolated x1) |
| Video Out | HDMI 2.0b x 1 |

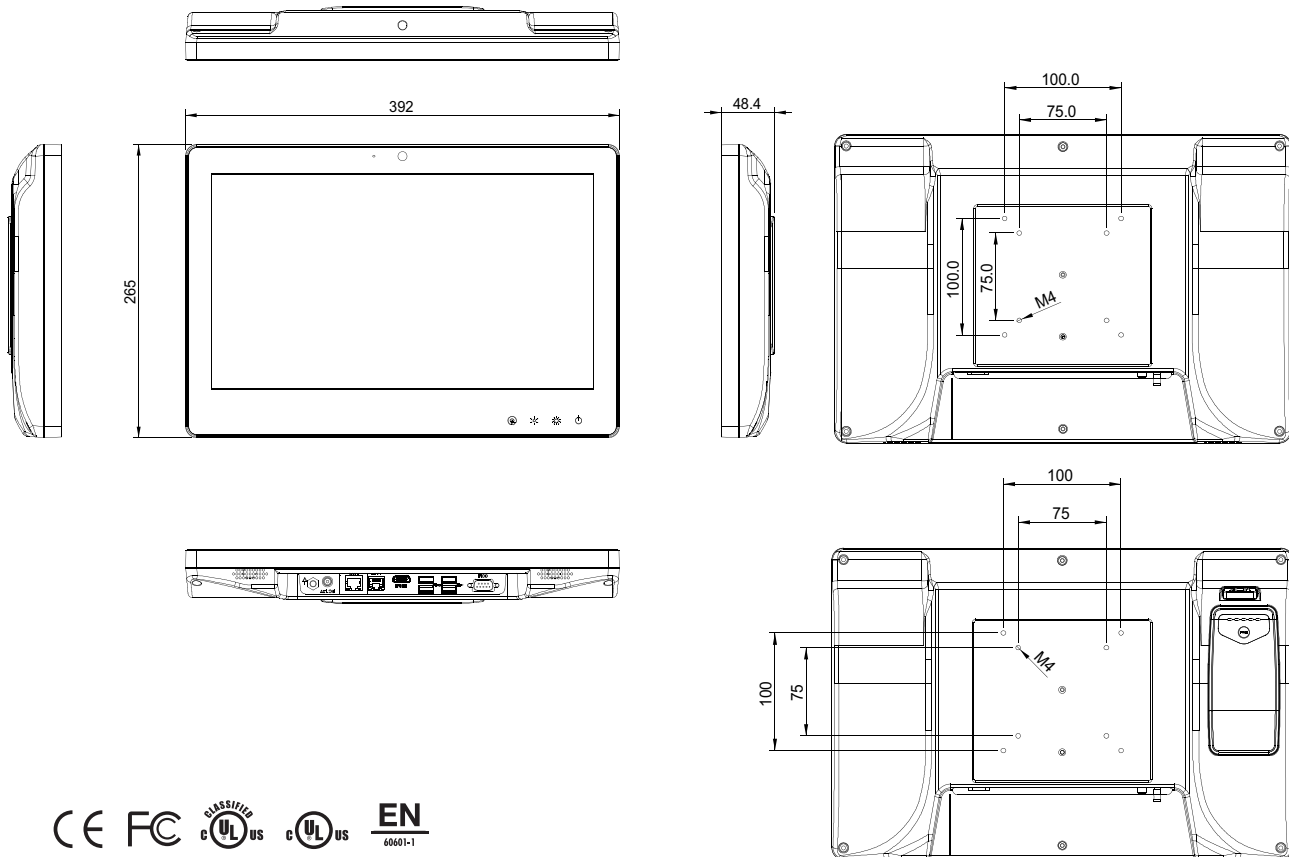
MECHANICAL AND ENVIRONMENTAL

| | |
|-----------------------|----------------------------|
| Power Consumption | Full loading: 48Watts |
| Operating Temperature | 0°C ~ 40°C(32°F ~ 104°F) |
| Storage Temperature | -20°C ~ 60°C(-4°F ~ 140°F) |
| Mounting | VESA 75/100 mm |
| Degree of Protection | Front IP 65, rear IPX1 |
| Dimension | 398 x 265 x 47mm |
| Package Size | 520x190x400 mm |
| Gross Weight | 4.3kg (9.5lb) |
| Net Weight | 1.8kg (4.0lb) |

| | |
|----------------|--|
| Certifications | CE: EN 60601-1-2: 2015 + A1: 2021 (V4.1), EN 60601-1: 2007 + A1:2013 +A2:2021 (V3.2) EN 55032:2015/A1:2020 EN 55035:2017/A1:2020 (ITE) IEC 62368-1:2020+A11:2020 (ITE) FCC: Part 15B/ Part 18 UL: ANSI AAMI ES60601-1:2005/A1:2012/A2:2021(V3.2) cUL: CAN/CSA-C22.2 No. 60601-1:14 (IEC 60601-1: 2005+A1:2012+A2:2020,MOD) (V3.2) TELEC :JAPAN TELEC |
|----------------|--|

15.6" Fanless Slim Medical All in One PC

Dimension / Unit: mm



Ordering Information

- **SMA-1533-P1-A1-0010**
Slim Medical AIO, 15.6" FHD LCD, Capacitive Touch, Celeron N6210, DC 12V
- **SMA-1533-P1-A2-0010**
Slim Medical AIO, 15.6" FHD LCD, Capacitive Touch, Celeron N6210, Battery
- **SMA-1533-P1-A3-0010**
Slim Medical AIO, 15.6" FHD LCD, Capacitive Touch, Celeron N6210, PoE
- **SMA-1533-P2-A1-0010**
Slim Medical AIO, 15.6" FHD LCD, Capacitive Touch, Atom x6211E, DC 12V
- **SMA-1533-P2-A2-0010**
Slim Medical AIO, 15.6" FHD LCD, Capacitive Touch, Atom x6211E, Battery
- **SMA-1533-P2-A3-0010**
Slim Medical AIO, 15.6" FHD LCD, Capacitive Touch, Atom x6211E, PoE
- **SMA-1533-P3-A1-0010**
Slim Medical AIO, 15.6" FHD LCD, Capacitive Touch, Atom x6425E, DC 12V
- **SMA-1533-P3-A2-0010**
Slim Medical AIO, 15.6" FHD LCD, Capacitive Touch, Atom x6425E, Battery
- **SMA-1533-P3-A3-0010**
Slim Medical AIO, 15.6" FHD LCD, Capacitive Touch, Atom x6425E, PoE

Optional Accessories

- **1255300841 (For Battery SKU)**
Medical Power Adapter, 84W, 12V
- **OPM-T011-A1**
2M Pixels Camera with Mic Kit
- **OPM-C20W-A9**
WLAN Kit, IEEE 802.11 a/b/g/n/ac/ax+ Bluetooth 5.3