

Slim Medical All in One PC

SMA-1233

11.6" Fanless Slim Medical All in One PC



Features

- Intel® Celeron N6210 / Atom x6211E Dual Core Processor
- 11.6" 250-nit WXGA /300-nit FHD LCD
- Supports DDR4 SODIMM up to 16GB (optional In-Band ECC support)
- Capacitive Multi-Touch Screen
- Proprietary PCI Express[x1] Interface
- Easy Cleaning Flat Screen
- 4 Programmable Smart Function Keys
- High Speed USB 3.1 Port
- 2.0M Pixels Camera with Mic (optional)
- HDMI 2.0b Port for 2nd Display
- RFID Reader (optional)
- +12V DC input / Power over Ethernet(optional)

Specifications

MAIN SPECIFICATIONS

Processor	Intel® Celeron N6210 2.6GHz / Atom x6211E 3.0GHz Dual Core Processor
System Memory	Supports DDR4 3200 SODIMM up to 16GB (In-Band ECC with Atom x6211E)
Expansion Interface	M.2 2230(E-key) x 1, Proprietary PCIe[x1] x 1
Storage Disk Drive	M.2 2242 SATA SSD x1
Security	RFID Reader (optional)
Wireless Communication	802.11ac/ax(optional) + Bluetooth 5.1/5.3(optional)
Speaker	2W x 2
Function Key	LCD Brightness Up/Down, Touch Screen On/Off
Power Requirement	DC 12V / Power over Ethernet(optional)
OS Support	Windows 10, Windows 11 , Linux

DISPLAY

Size / Type	11.6" LCD
Max. Resolution	1366 x 768 / 1920 x 1080
Luminance(cd/m2)(TYP)	250 nits / 400 nits
Max. Colors	16.7 M
Viewing Angle	90(H)/60(V) / 178(H)/178(V)
Contrast Ratio	500:1 / 800:1
Back Light Life Time	> 15,000 hours
Touch Screen	Capacitive Multi-Touch

I/O

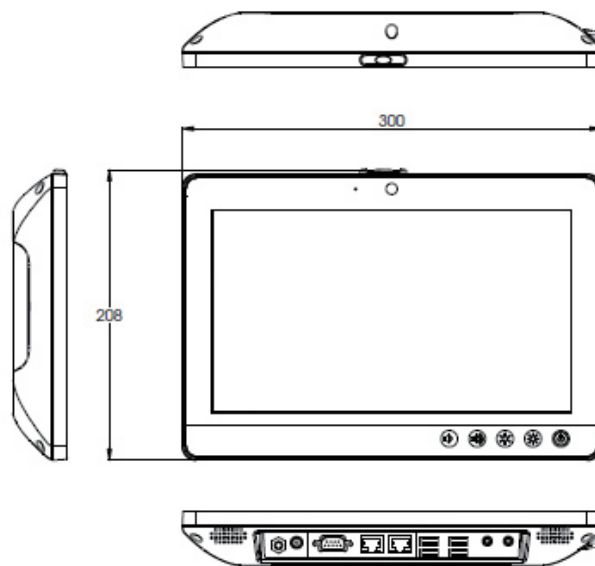
USB	USB 3.1 Gen 1 x4
Serial Port	RS-232 x 1
Ethernet	Gigabit LAN x2 (isolated x1 + non-isolated x1)
Video Out	HDMI 2.0b x 1

MECHANICAL AND ENVIRONMENTAL

Power Consumption	TBD
Operating Temperature	0°C ~ 40°C(32°F ~ 104°F)
Storage Temperature	-20°C ~ 60°C(-4°F ~ 140°F)
Mounting	VESA 75/100 mm
Degree of Protection	IP65 in the front, IPX1
Dimension	300 x 208 x 47 mm
Package Size	540 x 230 x 370 mm
Gross Weight	4kg (8.82lb)
Net Weight	1.5kg (3.3lb)
Certifications	CE: EN 60601-1-2:2015(V4.0), EN 60601-1:2006/A1:2013(V3.1) FCC: Part 18 Class B UL: ANSI/AAMI ES60601-1:2012 (V3.1) cUL: CAN/CSA-C22.2 No. 60601-1:2014 (V3.1)

11.6" Fanless Slim Medical All in One PC

Dimension / Unit: mm



Ordering Information

- SMA-1233-P1-A1-0010
Slim Medial AIO, 11.6" WXGA LCD, Capacitive Touch, Celeron N6210, DC 12V
- SMA-1233-P1-A2-0010
Slim Medial AIO, 11.6" FHD LCD, Capacitive Touch, Celeron N6210, DC 12V
- SMA-1233-P2-A1-0010
Slim Medial AIO, 11.6" WXGA LCD, Capacitive Touch, Atom x6211E, DC 12V
- SMA-1233-P2-A2-0010
Slim Medial AIO, 11.6" FHD LCD, Capacitive Touch, Atom x6211E, DC 12V

»

Optional Accessories

- 125530060C
Medical Power Adapter, 60W, 12V
- OPM-T011-A1
2M Pixels Camera with Mic Kit
- OPM-C15W-A4
WLAN Kit, IEEE 802.11ac + Bluetooth 5.1