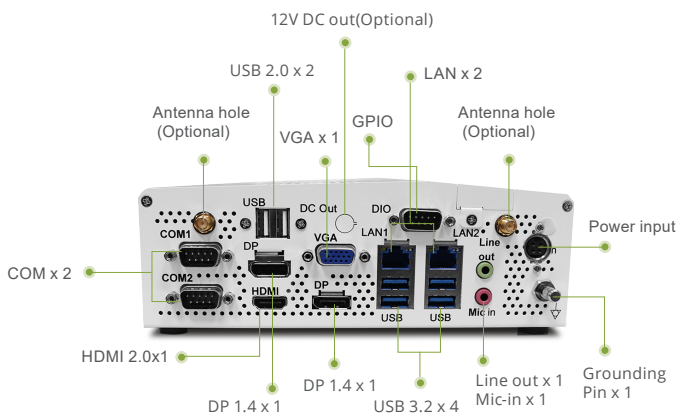
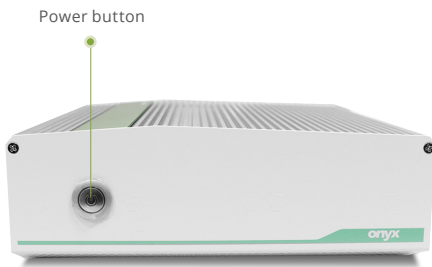


Medical Computer for Medical Device

MEDPC-9210

High Performance Medical Grade PC with Intel® 13th Generation Core™ iSeries



Features

- Intel® 13th generation Core i3/i5/i7/i9 Processor
- Supports DDR4 DIMM up to 64GB memory
- Support VESA Mounting and Vertical Stand
- Support TPM 2.0 for security management
- Support USB 3.2 Gen 2 Type A x 4 and USB 2.0 x 2
- Support Optional DC Output
- Optional second layer extension box design
- Support Dual M.2 SSD NVMe Slot
- Support Built in speaker (optional)

Application

- Equipment control
- Video recording in OR room

Specifications

MAIN SPECIFICATIONS

Processor	Intel® 13th generation Core I Processor
System Memory	Supports DDR4 3200 SO-DIMM x 2 up to 64GB
OS Support	Windows® 10 and 11, Linux (optional)
Storage	M.2 M Key PCIe SSD x 2
Storage Disk Drive	2.5" SATA SSD x 1
Security	TPM 2.0
Speaker (Optional)	Built in Speaker

I/O

USB	USB 3.2 Gen 2 x 4, USB 2.0 x 2
Serial Port	RS-232 x 2
Display output	DP 1.4 x 2, HDMI 2.0 x 1, VGA x 1
Ethernet	Gigabit LAN x 2
Video Out	Display Port x 1 (Support up to 1920 x 1200 @60 Hz), HDMI 1.4 x 1
Audio	Mic-in x 1 and Line-out x 1
Functional Ports	Grounding Pin x 1, 12V DC Output(optional), COM Port for GPIO
Extension Area	M.2 E Key 2230 x 1 for Wireless module, PCIe 3.0[x16] x1 (Optional)

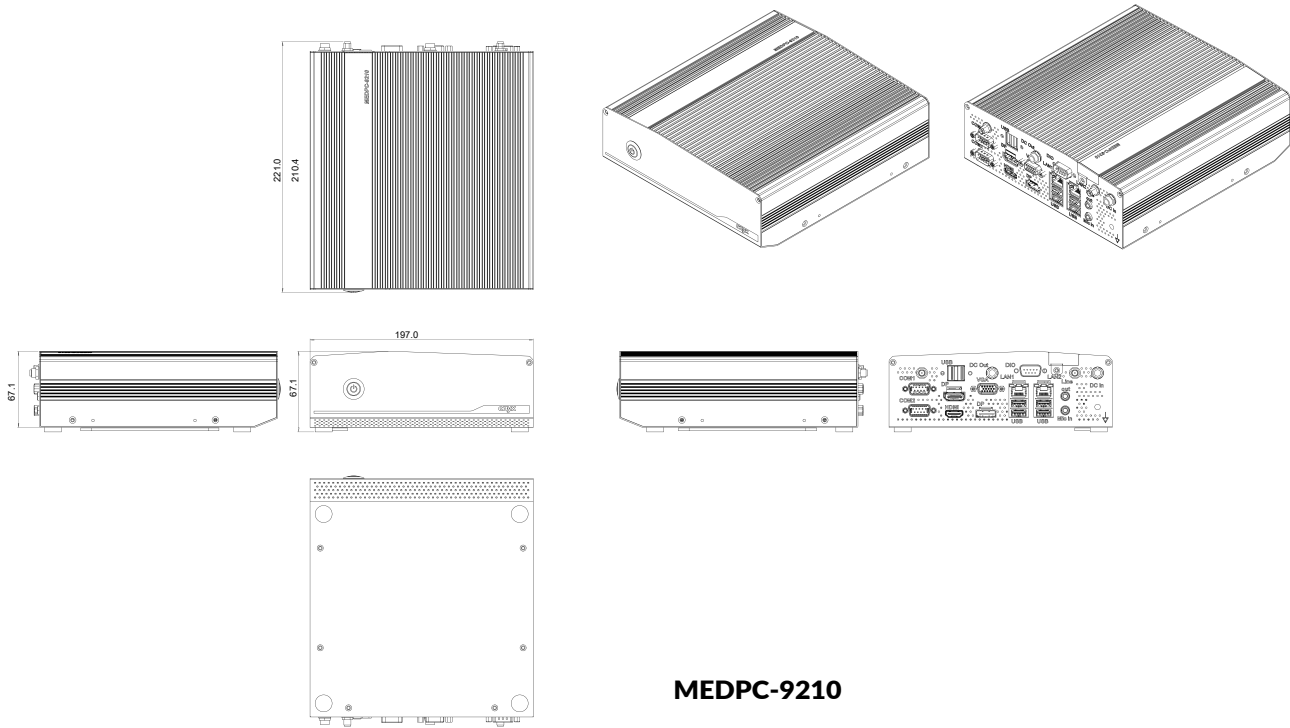
MECHANICAL AND ENVIRONMENTAL

Power Consumption	100V to 240V AC Input, 500W
Operating Temperature	0°C ~ 35°C(32°F ~ 95°F)
Storage Temperature	-20°C ~ 60°C(-4°F ~ 140°F)
Dimension	200 x 200 x 67 mm
Package Size	TBD
Gross Weight	TBD
Net Weight	TBD

Certifications	CE : EN 60601-1-2: 2015 + A1: 2021 (V4.1), EN 60601-1: 2007 + A1:2013 +A2:2021 (V3.2) EN 55032:2015/A1:2020 EN55035:2017/A11:2020(ITE) IEC62368-1:2020+A11:2020 (ITE) FCC : Part 15B/ Part 18 UL : ANSI AAMI ES60601-1:2005/A1:2012/A2:2021(V3.2) cUL : CAN/CSA-C22.2 No. 60601-1:14 (IEC 60601-1: 2005+A1:2012+A2:2020,MOD) (V3.2)
----------------	---

High Performance Medical Grade PC with Intel® 13th Generation Core™ iSeries

Dimension / Unit: mm



Ordering Information

- TBD

Optional Accessories