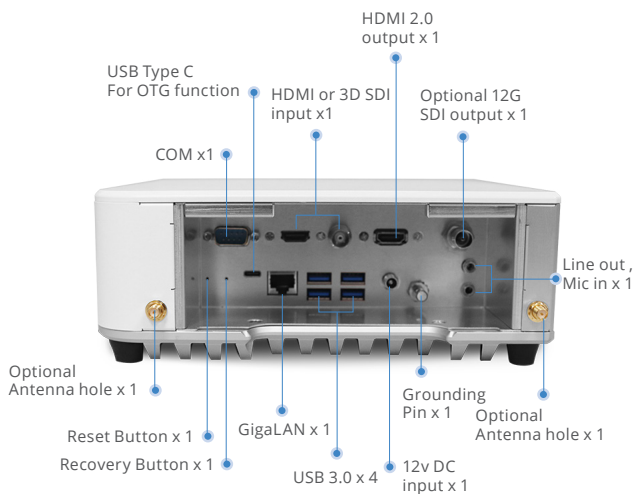


# ACCEL-JS810

NVIDIA Jetson Orin Nano Platform for Medical AI imaging application



## Features

- NVIDIA Jetson Orin Nano Platform with 8GB LPDDR5 or 4GB LPDDR5
- Powerful AI computing performance with up to 40 TOPS
- Support HDMI 2.0 video output
- Support 360 degree no dead angle cleaning
- Support Full HD SDI and HDMI video input x 1
- Medical certified with CE/FCC/UL
- Support built in speaker x 2
- Fanless Design
- Support cable cover design for better cable management
- Support IP31 for whole system

## Specifications

### MAIN SPECIFICATIONS

AI Engine	NVIDIA Jetson Orin Nano
CPU	6-core Arm® Cortex®-A78AE v8.2 64-bit CPU 1.5MB L2 + 4MB L3 (ACCEL-JS810-N1) 8-core Arm® Cortex®-A78AE v8.2 64-bit CPU 2MB L2 + 4MB L3(ACCEL-JS810-N2)
System Memory	8GB 128-bit LPDDR5 68 GB/s or 4GB 64-bit LPDDR5 34 GB/s
Graphics	1024-core NVIDIA Ampere GPU with 32 Tensor Cores
Storage	NVMe M.2 SSD
OS Support	Linux with Jetpack OS
Security	TPM 2.0
Speaker	2W x Speaer x 2

### I/O

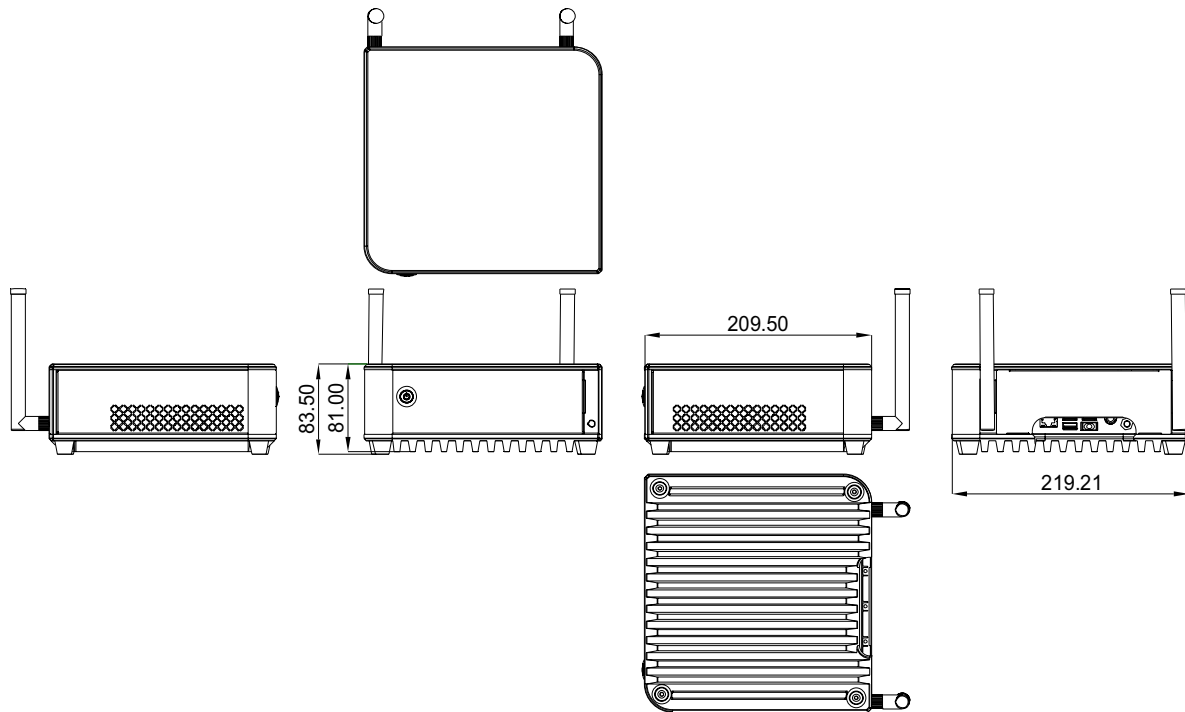
USB	USB OTG Type C x 1 USB 3.0 Type A x 4
Ethernet	GigaLAN x 1
Video out	HDMI 2.0 x 1
Video input	3G SDI and HDMI x 1 3G SDI(Max resolution up to 1920×1080p@60fps), HDMI(Max resolution up to 1920×1080p@60fps)
Audio	Mic-in x 1 , Line out x 1
Serial Port	RS232 x 1
Function Port	Reset Button x 1 ,Recovery Button x 1, Grounding pin x 1
DC in	12V DC Jack
Front I/O	Power Button with Power LED indicator x 1
Wireless Communication	802.11a/b/g/n/ac/ax.w/BT5.2 (Optional)

### MECHANICAL AND ENVIRONMENTAL

Power	Medical adapter 12V 65W
Operating temperature	0°C ~ 35°C(32°F ~ 95°F)
Storage temperature	-20°C ~ 60°C(-4°F ~ 140°F)
Dimension	219mm x 209mm x 83.5mm
Package Size	360mm x 350mm x 280mm
Gross Weight	4.33 kg
Net Weight	2.6 kg
Certifications	CE: EN 60601-1-2:2015(V4.0), EN 60601-1:2006/A1:2013/A12:2014 (V3.1) FCC: Part 18 Class B, Part 15 Class B, UL: ANSI/AAMI ES60601-1:2012 (V3.1) cUL: CAN/CSA-C22.2 No. 60601-1:2014 (V3.1)

## NVIDIA Jetson Orin Nano Platform for Medical AI imaging application

### Dimension / Unit: mm



### Ordering Information

- ACCEL-JS810-N1-A1-0010  
Medical AI Edge.Jetson Orin NANO.HDMI out. 4GB DDR5. Jetpack.Speaker.Adapter
- ACCEL-JS810-N1-A2-0010  
Medical AI Edge.Jetson Orin NANO.HDMI out,3G SDI&HDMI input. 4GB DDR5.Jetpack.Speaker.Adapter
- ACCEL-JS810-N1-A3-0010  
Medical AI Edge.Jetson Orin NANO .HDMI out,12G SDI input.4GB DDR5.Jetpack.Speaker.Adapter
- ACCEL-JS810-N1-A4-0010  
Medical AI Edge.Jetson Orin NANO .HDMI out, HDMI 2.0 input.4GB DDR5.Jetpack.Speaker.Adapter
- ACCEL-JS810-N2-A1-0010  
Medical AI Edge.Jetson Orin NANO .HDMI out.8GB DDR5. Jetpack.Speaker.Adapter
- ACCEL-JS810-N2-A2-0010  
Medical AI Edge.Jetson Orin NANO.HDMI out,3G SDI&HDMI input. 8GB DDR5.Jetpack.Speaker.Adapter
- ACCEL-JS810-N2-A3-0010  
Medical AI Edge.Jetson Orin NANO.HDMI out,12G SDI input.8GB DDR5.Jetpack.Speaker.Adapter
- ACCEL-JS810-N2-A4-0010  
Medical AI Edge.Jetson Orin NANO.HDMI out,HDMI 2.0 input.8GB DDR5.Jetpack.Speaker.Adapter

### Optional Accessories

- OPM-C21W-A2  
WLAN Kit.802.11a/b/g/n/ac/ax (Wi-Fi 6).w/BT 5.2.dual ext. antenna.Realtek RTL8852BE.for ACCEL-JS800 Series