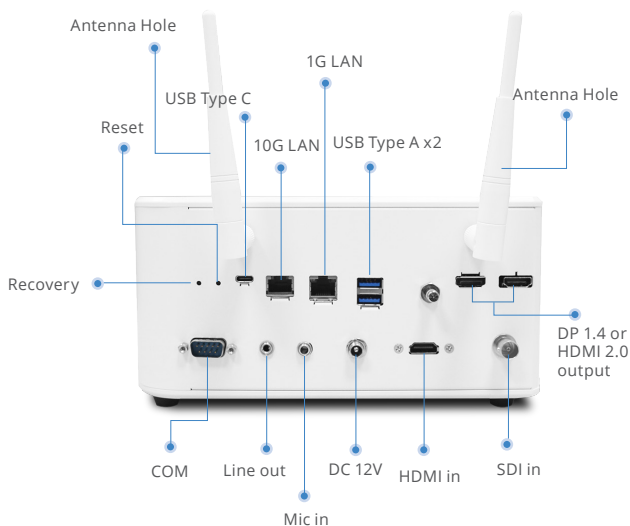


# ACCEL-JS1100

NVIDIA Jetson AGX Orin platform with 5" front touch screen for Medical AI imaging application



## Features

- NVIDIA Jetson AGX Orin platform with 64GB LPDDR5 or 32GB LPDDR5
- Powerful AI computing performance with up to 275 TOPS
- Support Front Screen
- Support DP 1.4 or HDMI 2.0 video output
- Compact size suitable for space limited area
- Support HDMI 2.0 and 12G SDI video input
- Medical certified with CE/FCC/UL
- Support optional PCIe [x8] x1 for possible customization
- Support built in speaker x 2

## Specifications

### MAIN SPECIFICATIONS

AI Engine	NVIDIA Jetson AGX Orin
CPU	8-core Arm® Cortex®-A78AE v8.2 64-bit CPU 2MB L2 +4MB L3
	12-core Arm® Cortex®-A78AE v8.2 64-bit CPU 3MB L2 +6MB L3
System Memory	32GB or 64GB 256-bit LPDDR5 204.8 GB/s
Graphics	1792-core NVIDIA Ampere GPU with 56 Tensor Cores
	2048-core NVIDIA Ampere GPU with 64 Tensor Cores
Storage	onboard 64GB eMMC 5.1, M.2 NVMe SSD (Optional)
OS Support	Ubuntu with Jetpack
Security	TPM 2.0
Speaker	2W x Speaker x 2
Front Screen	5" LED Panel with P-Cap Touch
	Resolution :800 x 480
	Brightness :800 nits

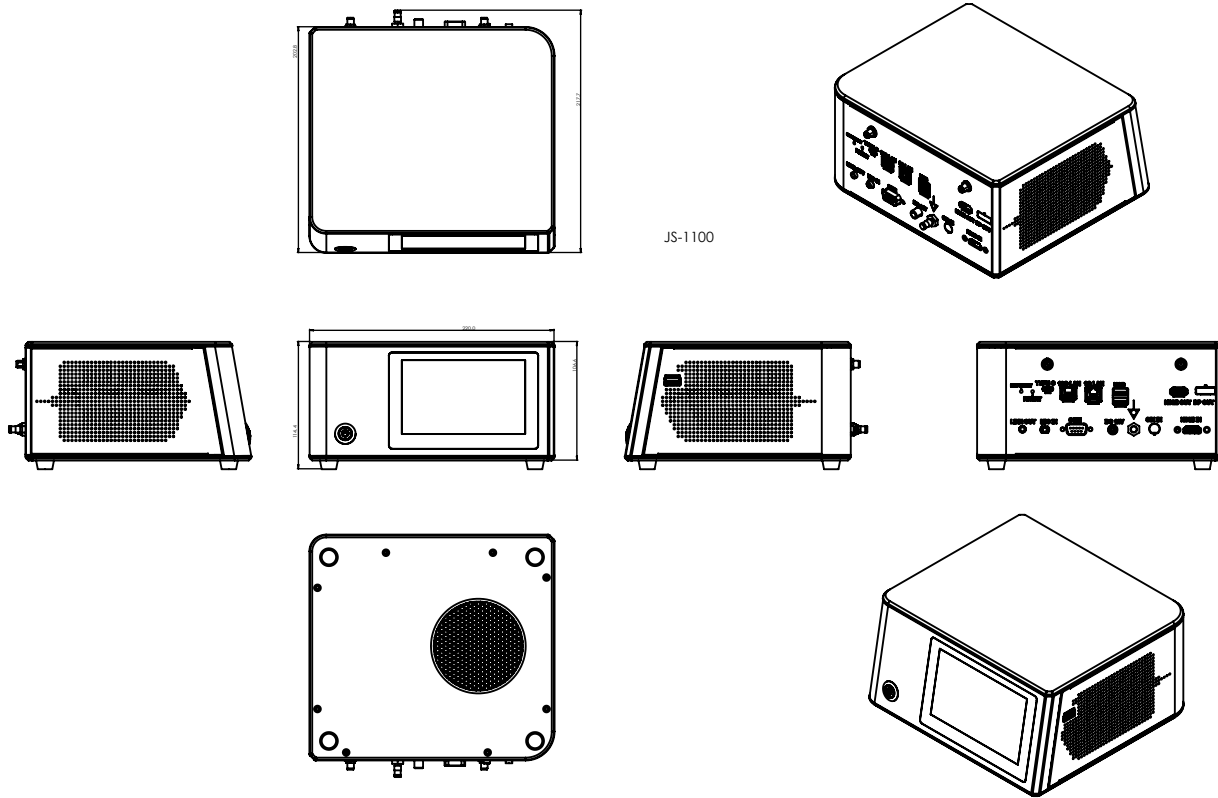
### I/O

USB	USB 3.2 Type A x 2, USB 3.2 Type C x 1
Ethernet	GigaLAN x 1, 10G LAN x 1
Video Out	HDMI 2.0 x 1 and Display Port 1.4 (without front screen)
	HDMI 2.0 x 1 or Display Port 1.4 (with front screen)
Video input	3G SDI or HDMI (FHD), 12G SDI or HDMI 2.0
	3G SDI (Max resolution up to 1920x1080p@60fps)
	12G SDI (Max resolution up to 4096x2160p@60fps)
	HDMI (FHD) (Max resolution up to 1920x1080p@60fps)
Audio	Mic-in x 1, Line out x 1
Serial Port	RS232 x 1
Function Port	Reset Button x 1, Recovery Button x 1, Grounding pin x 1
DC in	12V DC Jack
Front I/O	Power Button with Power LED indicator x 1
Wireless Communication	802.11a/b/g/n/ac/ax.w/BT5.2 (Optional)
Expansion I/O	PCIe [x8] x 1 (Optional)

### MECHANICAL AND ENVIRONMENTAL

Power	Medical adapter 12V 120W
Operating temperature	0°C ~ 35°C (32°F ~ 95°F)
Storage temperature	-20°C ~ 60°C (-4°F ~ 140°F)
Dimension	220mm x 217.7mm x 111.1mm
Package Size	TBC
Gross Weight	TBC
Net Weight	TBC
Certifications	CE: EN 60601-1-2:2015 (V4.0), EN 60601-1:2006/A1:2013/A12:2014 (V3.1)
	FCC: Part 18 Class B
	UL: ANSI/AAMI ES60601-1:2012 (V3.1)
	cUL: CAN/CSA-C22.2 No. 60601-1:2014 (V3.1)

## NVIDIA Jetson AGX Orin platform with 5" front touch screen for Medical AI imaging application

**Dimension / Unit: mm****Ordering Information**

- TBD

**Optional Accessories**

- TBD