

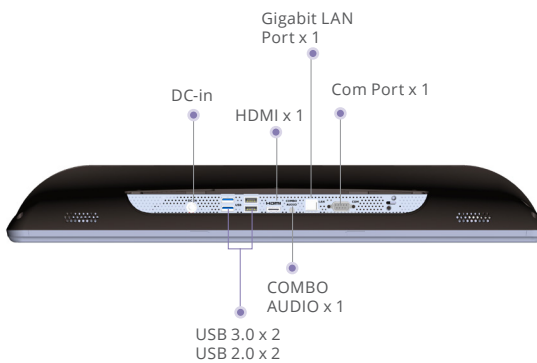
Medical Cart Computer

Venus-223

21.5" Dual Hot Swappable Battery Medical Cart Computer



Battery x 1 Battery x 1
 USB 3.0 x 2 Smart Card Reader x 1



Features

- Highest level of medical safety protection
- Cleanability with hospital solvents (front IP65)
- Hot swappable design, support 24/7 run time
- Intel® Skylake Dual-Core i5 / Quad-Core J1900
- Support remote monitor/control/update (ORION compatible)
- Lightweight design
- Front reading light bar

Specifications

MAIN SPECIFICATIONS

| | |
|------------------------|---|
| Processor | Intel® Skylake Dual-Core i5 /i7 |
| System Memory | DDR4 up to 32GB |
| OS Support | Microsoft® Windows 7 Microsoft® Windows 10 Ubuntu 18.04 LTS IGEL (thin client solution) |
| Graphics | Intel® HD Graphics 520 |
| Storage | SSD up to 512GB (optional) |
| Wireless Communication | 802.11 ac/a/b/g/n + BT 4.0 (optional) |
| Camera | 2MP/5MP camera (optional) |
| Touch | PCT, R-TS (optional) |
| Speaker | 2W x2 |
| Security | TPM 2.0 Smart Card Reader, RFID ISO 15693/14443A (optional) |

DISPLAY

| | |
|-------------------|----------------|
| Display Size | 21.5" VA panel |
| Resolution | 1920 x 1080 |
| Max. Colors | 16.7M |
| Contrast Ratio | 1000:1 |
| Luminance (cd/m2) | 250 |

I/O

| | |
|-----------|---|
| USB | Rear I/O : USB 3.0 x2, USB 2.0 x2 Side I/O : USB 3.0 x2 |
| Video Out | HDMI 1.4 x1 |
| COM | COM port x1 |
| Audio | Combo audio port x1 |
| Security | Kensington slot |
| Ethernet | Gigabit LAN x1 |
| DC-in | 24V DC-in x1 |

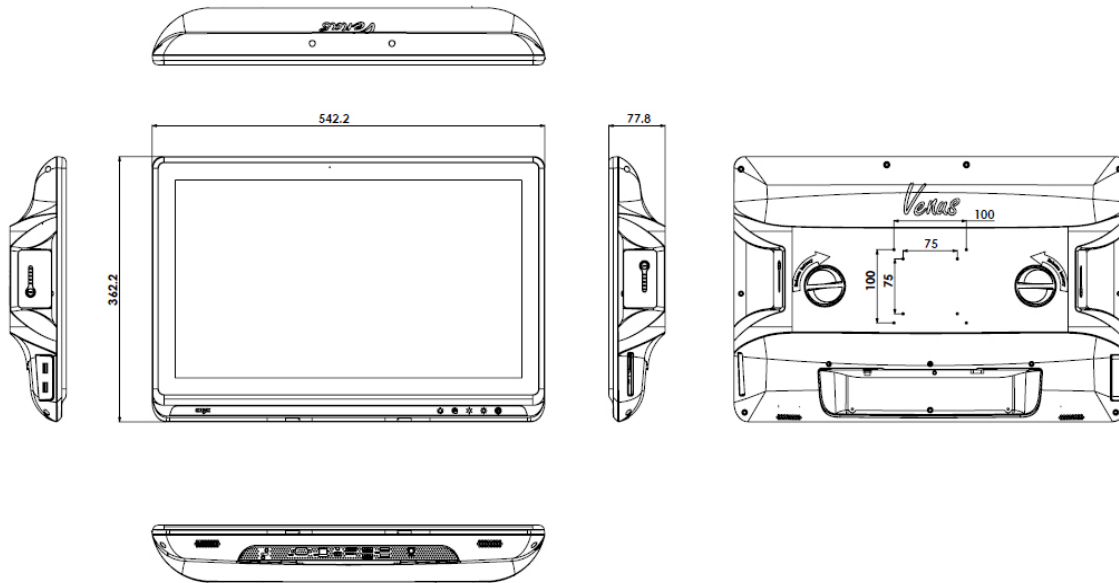
MECHANICAL AND ENVIRONMENTAL

| | |
|-----------------------|---|
| VESA | 75/100 mm VESA mount |
| Operating Temperature | 0°C ~ 40°C (32°F ~ 104°F) |
| Storage Temperature | -20°C ~ 60°C (-4°F ~ 140°F) |
| Storage Humidity | 10%~95%@40°C, non-condensing |
| Degree of Protection | Front Panel: IP65 ; Rear: IPX1 |
| Dimension | 542(L) x 78(W) x 362(H) mm |
| Net Weight | 7kg (15.4 lbs) |
| Packing Size | 645(L) x 210(W) x 513(H) mm |
| Gross Weight | 11kg (24.3 lbs) |
| Certifications | CE: EN 60601-1-2:2015(V4.0), EN 60601-1:2006/ A1:2013(V3.1) FCC: Part 18 Class B UL: ANSI/AAMI ES60601-1:2012 (V3.1) cUL: CAN/CSA-C22.2 No. 60601-1:2014 (V3.1) |

ALL PRODUCT, PRODUCT SPECIFICATIONS AND DATA ARE SUBJECT TO CHANGE WITHOUT NOTICE TO IMPROVE RELIABILITY, FUNCTION OR DESIGN OR OTHERWISE.

21.5" Dual Hot Swappable Battery Medical Cart Computer

Dimension / Unit: mm



Ordering Information

- VENUS-223ST-A1-0002
Cart Computer.i5 6300U.22".Fanless.PCT.SCR.TPM.XL Battery x2
- VENUS-223ET-A7-1010
Cart Computer. i7. 22". Fanless. R-TS. 4GB RAM. SCR. TPM. XL . Battery x2

Optional Accessories

- 1255301501
Medical Adaptor. 100-240V/1.0-2.5A 24V/6.25A 150W
- OPM-S02R-A0
RFID Reader Kit
- OPM-C15W-A8
WLAN dual band module Kit.Intel 802.11a/b/g/n/ac+BT 5.
- UP-L62-A1-1010
6-Slot Charger + 24V/250W adaptor
- UP-P22-A2-1010
2-Slot Charger + 24V Medical adaptor
- OPM-V02C-04
5MP Camera kit with Mic