

2024 Catalogue

# One Step Ahead of Medical AI Innovation



onyx

2024

One Step Ahead of Medical AI Innovation

010010011011  
011101010010

**onyx**  
Smart Healthcare an ASUS ASSOC. CO.

# TABLE OF CONTENTS

TABLE OF CONTENTS	01
ABOUT ONYX	03
OEM/ODM SERVICE	04
QUALITY ASSURANCE	05
MEDICAL AI RESEARCH CENTER	06
■ AI INFERENCE HARDWARE	07
NVIDIA AIoT Solution	08
Intel Distribution of Openvino Toolkit	10
• 32" 4K UHD 6th Generation Xeon / Core i7 Medical All in One PC for AI Inference- <b>ACCEL-A3201</b>	11
• 27" 4K UHD 6th Generation Xeon / Core i7 Medical All in One PC for AI Inference- <b>ACCEL-A2701</b>	13
• 24" FHD 9th Generation Xeon / Core i7 Medical All in One PC for AI Inference- <b>ACCEL-A2401</b>	15
• Dual GPU card Medical AI Edge PC with Intel 12th Gen Core i9 CPU - <b>ACCEL-VM1000</b>	17
• Medical Video Management System with 9th Generation Intel Xeon / Core i7 CPU - <b>ACCEL-VM500</b>	19
• Slim Size Medical AI Computing Platform with Intel® 12th Gen Core I CPU - <b>ACCEL-VM300</b>	21
• NVIDIA Jetson AGX Xavier or AGX Xavier Industrial platform - <b>ACCEL-JS500/JS500i</b>	23
• NVIDIA Jetson AGX Orin platform for Medical AI imaging application - <b>ACCEL-JS1000</b>	23
• NVIDIA Jetson Orin NX platform for Medical AI imaging application - <b>ACCEL-JS800</b>	25
• NVIDIA Jetson AGX Xavier or AGX Xavier Industrial platform - <b>ACCEL-JS500/JS500i</b>	27
• 22" Medical AI Accelerator with NVIDIA Ampere MXM Graphics - <b>ACCEL-A2203</b>	29
• NVIDIA IGX platform for Medical AI imaging application - <b>ACCEL-JS2000</b>	30
■ MEDICAL CART COMPUTER	31
• 24"/22" Dual Hot Swappable Battery Medical Cart Computer - <b>Venus-244 / Venus-224</b>	33
• 23.8" Dual Hot Swappable Battery Medical Cart Computer - <b>Venus-243</b>	35
23.8" Dual Hot Swappable Battery Medical Cart Computer - <b>Venus-243 AMD</b>	37
• 21.5" Dual Hot Swappable Battery Medical Cart Computer - <b>Venus-223</b>	39
21.5" Dual Hot Swappable Battery Medical Cart Computer - <b>Venus-223 AMD</b>	41
• 19" Dual Hot Swappable Battery Medical Cart Computer - <b>Venus-193</b>	43
19"~24" Self-Power Cart Computer Accessory Selection	45
■ MEDICAL POWER PANEL PC	47
17" Intel i7/i5/i3 Medical Panel PC with Dual Battery - <b>Venus-173</b>	49
15.6" Intel i7/i5/i3 Medical Panel PC with Dual Battery - <b>Venus-153</b>	51
11.6" Intel i7/i5/i3 Medical Panel PC with Dual Battery - <b>Venus-123</b>	53
12"~ 17" Mini Mobile Computer Accessory Selection	55
■ MEDICAL POWER BANK	57
• <b>UPower Pro-43</b>	59
<b>UPower Pro-22</b>	60
XL Battery / XXL Battery	61
■ ORION-BATTERY MANAGEMENT SYSTEM	63
■ MOBILE MEDICAL TABLET	67
• 12" Fanless Intel Pentium- <b>MD116E</b>	69
10.1" Rugged Medical Tablet - <b>MD101</b>	71
8" Medical Tablet - <b>MPAD-800 A1</b>	73
MD116 Series Accessory Selection	75

■	<b>MEDICAL PC &amp; MONITOR FOR DIGITAL OR</b>	<b>79</b>
•	32" 4K UHD 6th Generation Xeon / Core i7 Medial All in One PC for AI Inference- <b>ACCEL-A3201</b>	83
•	27" 4K UHD 6th Generation Xeon / Core i7 Medial All in One PC for AI Inference- <b>ACCEL-A2701</b>	85
•	24" FHD 9th Generation Xeon / Core i7 Medial All in One PC for AI Inference- <b>ACCEL-A2401</b>	87
	Medical Video Management System with 9th Generation Intel Xeon / Core i7 CPU- <b>ACCEL-VM500R</b>	89
	HDMI/DP over IP Transceiver with USB Extension for Digital OR- <b>ACCEL-VM100</b>	91
	AV over IP Master Controller- <b>ACCEL-VM200</b>	92
	HDMI/VGA Live Video Streamer with Recording- <b>ACCEL-VS100</b>	93
■	<b>SLIM MEDICAL ALL IN ONE PC</b>	<b>95</b>
	17" Fanless Slim Medical All in One PC- <b>SMA-1733</b>	97
	15.6" Fanless Slim Medical All in One PC- <b>SMA-1533</b>	99
	11.6" Fanless Slim Medical All in One PC- <b>SMA-1233</b>	101
	10.1" Fanless Slim Medical All in One PC- <b>SMA-1033</b>	103
■	<b>POWERFUL MEDICAL ALL IN ONE PC</b>	<b>105</b>
	24" Fanless 13th Generation Core i9 Powerful Medical All in One PC- <b>MATE2-2412</b>	107
	22" Fanless 13th Generation Core i9 Powerful Medical All in One PC- <b>MATE2-2212</b>	109
	19" Fanless 6th Generation Core i7 Powerful Medical All in One PC- <b>MATE-1903</b>	111
■	<b>MEDICA MONITOR FOR MEDICAL DEVICE</b>	<b>113</b>
	32" 4K-UHD Medical LCD Monitor- <b>MEDDP-632</b>	115
	32" Full-UHD Medical LCD Monitor- <b>MEDDP-632F</b>	116
	27" Slim 4K Medical Display- <b>MEDDP-727</b>	117
	27" Slim Medical Display- <b>MEDDP-627</b>	118
	24" Slim Medical Display - <b>MEDDP-624</b>	119
	22" Slim Medical Display- <b>MEDDP-822</b>	120
	22" Slim Medical Display- <b>MEDDP-722</b>	121
	22" Slim Medical Display- <b>MEDDP-622</b>	122
	15.6" Slim Medical Display- <b>MEDDP-615</b>	123
	15" Slim Medical Display- <b>MEDDP-415</b>	124
■	<b>MEDICAL COMPUTER FOR MEDICAL DEVICE</b>	<b>125</b>
•	High Performance Medical Grade PC with Intel ® 6th Generation Core™ iSeries- <b>MEDPC-9200</b>	127
	High Performance Medical Grade PC with Intel ® 13th Generation Core™ iSeries- <b>MEDPC-9210</b>	129
	High Performance Medical Grade PC with AMD Ryzen™ Embedded V1000- <b>MEDPC-9300</b>	131
	Ultra Slim Medical Grade PC with Intel Bay Trail SoC- <b>MEDPC-2100</b>	133
■	<b>HEALTHCARE INFOTAINMENT ALL IN ONE COMPUTER</b>	<b>135</b>
	15.6" Fanless Android Bedside Computer- <b>ONYX-BE153R</b>	137
	11.6" Fanless Android Bedside Computer - <b>ONYX-BE122R</b>	139
	10.1" Fanless Android Bedside Computer - <b>ONYX-BE102R</b>	141
■	<b>ACCESSORY SELECTION</b>	<b>143</b>
	Panel PC Accessory Selection	143
	Healthcare Infotainment Accessory Selection	145

# ABOUT ONYX

**Onyx** Healthcare Inc. is headquartered in Taiwan, with satellite offices in the Netherlands and California, and provides services to tier-1 medical instrument companies worldwide and as an NVIDIA Partner Network "NPN" Partner now. Onyx is a professional medical IT company in providing trusted, innovative products, customer-centric design services and medical pc solutions. Onyx cooperates closely with our partners to provide comprehensive medical products such as AI Ready Medical PC, Smart View Medical Stations, Fanless Slim Panel PC, Medical Display, Healthcare Infotainment, Mobile Tablet PC, Medical PC and Mobile Computing Cart, UPower Bank in the professional Hospital / Clinical IT market. Our products offer the advantages of filmless and paperless interaction in the hospital environment with certifications for ISO 13485, IEC/UL 60601-1, ISO 14971 risk management, and FDA registration. Product longevity is 7-10 years standard, with an optional extended 10-year support program. Onyx won notable awards such as the Taiwan Excellence Award / National Innovation Award / UK Best Medical AI Solutions Developer Award / Best Choice Award.



## ■ PRODUCT APPLICATION FOCUS: HOSPITAL IT

- » **High-Acuity Task Area**  
The emergency department, Intensive care, labor and delivery units, neonatal ICUs, operating rooms, post-anesthesia care units, and the radiology department.
- » **Clinic/Nursing Station Area**  
PACs processing and daily hospital tasks.
- » **Outpatient Area**  
Patient monitoring and patient home care.

## ■ FEATURE PRODUCTS :

- » **Medical IT**  
Advanced Medical Stations, Medical Grade Slim Panel PCs, Medical Grade Fanless Panel PCs.
- » **Medical Platform**  
Mobile Nursing Cart, Bedside Infotainment Terminal.
- » **Medical IT & Platform Accessory**  
Medical Grade Monitors, Medical Mounting Accessories.





## AWARDS

### NATIONAL INNOVATION AWARD

Onyx Healthcare was awarded the "Enterprise Innovation Award" for its innovative technology at the 18th / 19th National Innovation Awards. Onyx Healthcare has focused on the design, manufacture, production and sales of medical AIO (all-in-one) computers and medical tablet computers, with 20 years of experience. After the three-stage review, the results were announced to be recognized by the National Innovation Award - Enterprise Innovation Award, demonstrating strong R&D strength.



### HEALTHCARE AND PHARMACEUTICAL AWARDS 2023 (UK)

Onyx Healthcare is honored to be the winner of the **Best Medical AI Solutions Developer Award** from the Global Health & Pharma Magazine (GHP) Healthcare and Pharmaceutical Awards 2023. We truly appreciate the recognition of our company and our development in the medical AI field. With medical AI technology assisting in early detection to enable preventive medicine, Onyx Healthcare will dedicate its research in enhancing AI enabled medical device to support world class medical device companies and healthcare providers globally.



## OEM / ODM SERVICE

### ONYX -YOUR DESIGN & MANUFACTURING KITCHEN

1<sup>st</sup> Choice of Medical Device OEM / ODM Partners



### DESIGN TO WIN

Excellent design is the superior tool to win business. Based on such belief, Onyx has kept striving to strengthen our abilities in design experience since we started the company. We have trained outstanding R&D engineers to establish the professional team. They are not only experts in product developments, but also very in tune with the trends of technical and technology to assist our clients exploit new products that are truly competitive and break into the international market.



## QUALITY ASSURANCE

ONYX Healthcare Inc. provides a 2 year manufacturer's warranty to the entire ONYX product family and supports our clients locally via worldwide service centers with design and technical support capability. The company has acquired the following certifications and established its corporate quality assurance system with detail operational guide using closed loop feedback system approach. Throughout design, manufacturing, and service stages, ONYX Healthcare Inc. is committed to quality and service excellence with extensive knowledge to meet specific needs of medical IT and platform clients.

### ■ FULL EXPERIENCE OF MEDICAL CERTIFICATIONS:

No need to worry about the problem of getting documents. With internal and external test laboratories, our experienced LAB engineers with more 10 years make sure your product certified. Onyx can help you bring your market to USA, Europe and China quickly.



#### ISO 9001:2015

Onyx meets specifies requirements of ISO 9001:2015 for a quality management system where an organization from 2011/08/02.  
Valid until: 27, February , 2022



#### ISO14001:2015

Onyx meets specifies requirements of ISO 14001:2015 for Environmental requirements, where an organization from February 2016.  
Environmental Policy:  
Green Manufacturing, Environmental Innovation, Sustainable ,Development Continuous Improvement  
Valid until: 19, February , 2019 ~ 19, February , 2022



#### ISO 13485:2016

Onyx meets specifies requirements of ISO 13485:2016 for a quality management system where an organization needs to demonstrate its ability to provide medical devices and related services from 2011/08/02.  
Valid until: 27, February , 2022



#### FCC

All of onyx's products comply with FCC Part 18.



#### CE : EN 60601-1-2 : 2015 (V4.0) / EN60601-1 : 2006 / AI : 2013 (V3.1)



#### UL : ANSI / AAMI ES60601-1 : 2012 (V3.1)

All of onyx's products have got the UL certificate.



#### CCC

Some of Onyx products meets the CCC mark is required for both Chinese manufactured and foreign imported products.



#### CLOROX HEALTHCARE COMPATIBILITY PROGRAM

Onyx Products Approved Clorox Healthcare Compatible™ for Safer Medical Environments

## ■ READY TO USE EMBEDDED COMPUTING PLATFORM:

Belonging to ASUS and Aaeon Group, Onyx provides rich and cutting edge motherboard technology to our clients. Do not worry about falling behind your competition. Your company will be the leader in the field.

- Off-the shelf miniITX motherboard solution
- Latest Computer-on Module (COM) solutions
- Single compact computer solutions (X86 and RISC ARM)
- Free of charge BIOS and driver service



## ■ ONYX HEALTHCARE IS THE FIRST COMPANY WITH EMC 4.0 / SAFE 3.1 READY PRODUCTS

In the European Union, the Date of Withdrawal (DoW) of EN 60601-1:2006 (Safety Edition 3.0) is published as Dec. 31st 2017 and DoW of EN 60601-1-2:2007(EMC Edition 3.0) is published as Dec. 31st 2018. **All devices manufactured and imported into the EU are required to comply with EN 60601-1:2006/A1:2013 (Safety Edition 3.1) after year 2018 and EN 60601-1-2:2015 (EMC Edition 4.0) after year 2019.**

All Onyx products in mass production are compliant to Safety Edition 3.1 and EMC Edition 4.0 and please refer to the following product list.



## MEDICAL AI RESEARCH CENTER

### ■ ONYX-NTUST MEDICAL AI JOINT RESEARCH CENTER

Given the rapid development of AI applications in medicine and healthcare in the twenty-first century, NTUST and Onyx Healthcare established the Onyx Healthcare–NTUST Medical AI Joint Research Center in 2017. The center encompasses work in medical engineering, medical imaging, big data analytics, AR and VR medical training, embedded system development, and others. By combining specialized expertise, NTUST and Onyx Healthcare together provide healthcare clients across the world with one-stop services that integrate medical AI modelling and simulation, software/hardware design, and manufacturing operations.

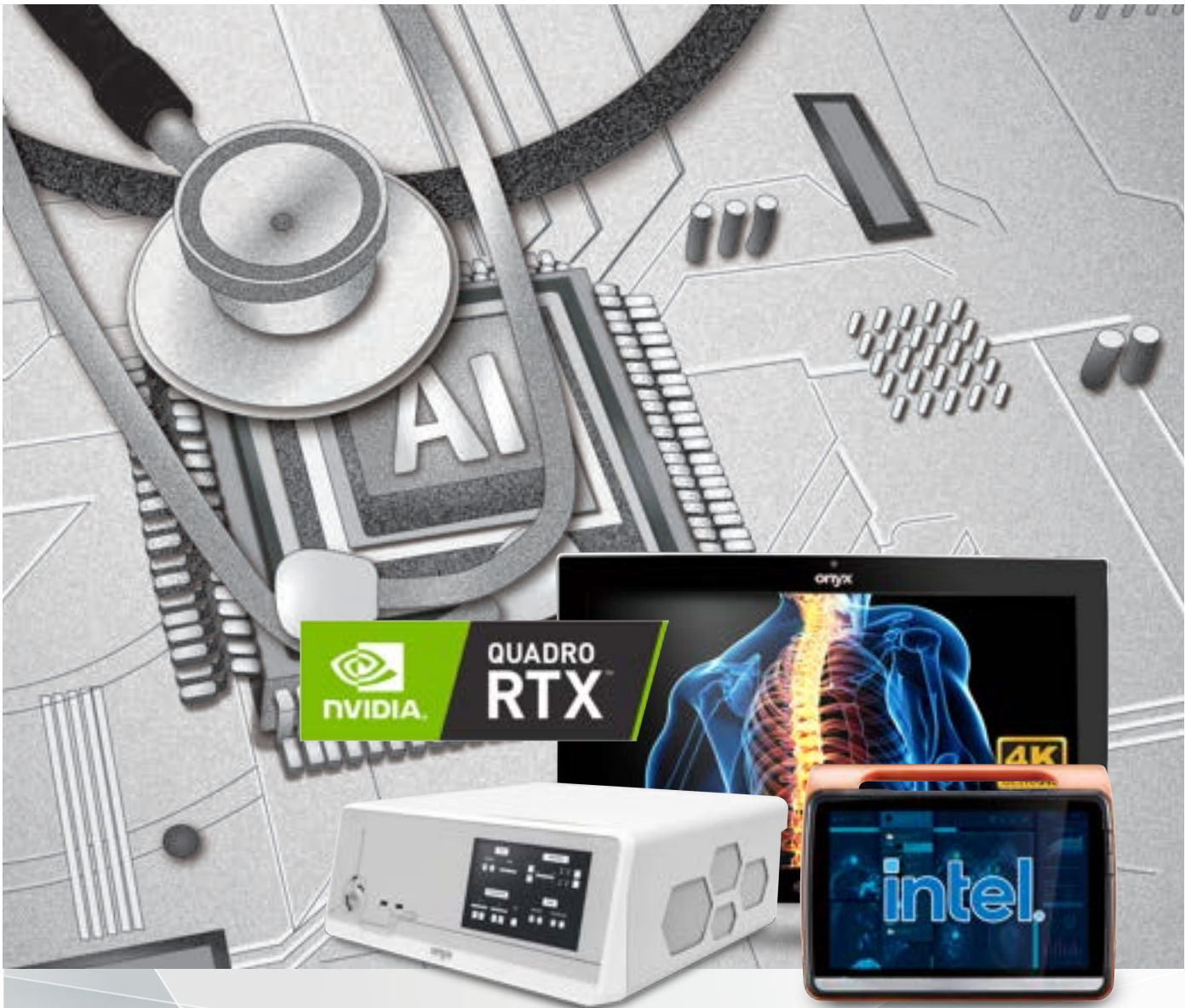
Furthermore, the collaboration helps clients develop successful medical AI products and generally contributes to the medical and healthcare industry overall. Edition 3.1 and EMC Edition 4.0 and please refer to the following product list.





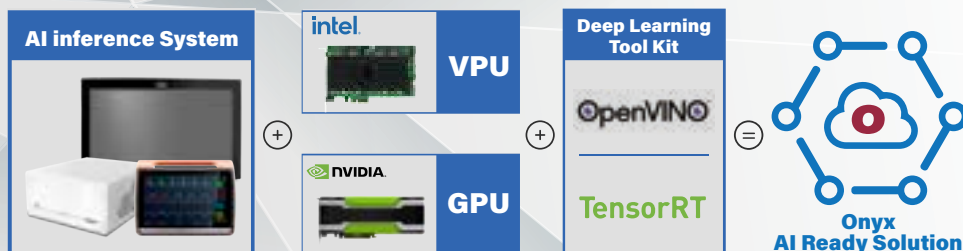
# AI HARDWARE SOLUTION

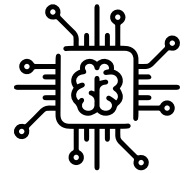
As technology advances at an every quickening pace, it is artificial Intelligence (AI) that is leading the way forward to a future where we are surrounded by automation and universal connectivity. Hardware supporting the current AI industrial revolution must also increase its processing capabilities with every new generation to not only keep pace with, but help drive forward technological innovation. Onyx continues its role as a major technology innovator by creating new products focused on AI Inference at the Edge. Our AI-ready products include devices with support for Nvidia and Intel solutions, medical grade AI boxes, mobile tablets for AI inference, and the first AI all-in-one PC.



## Key Features

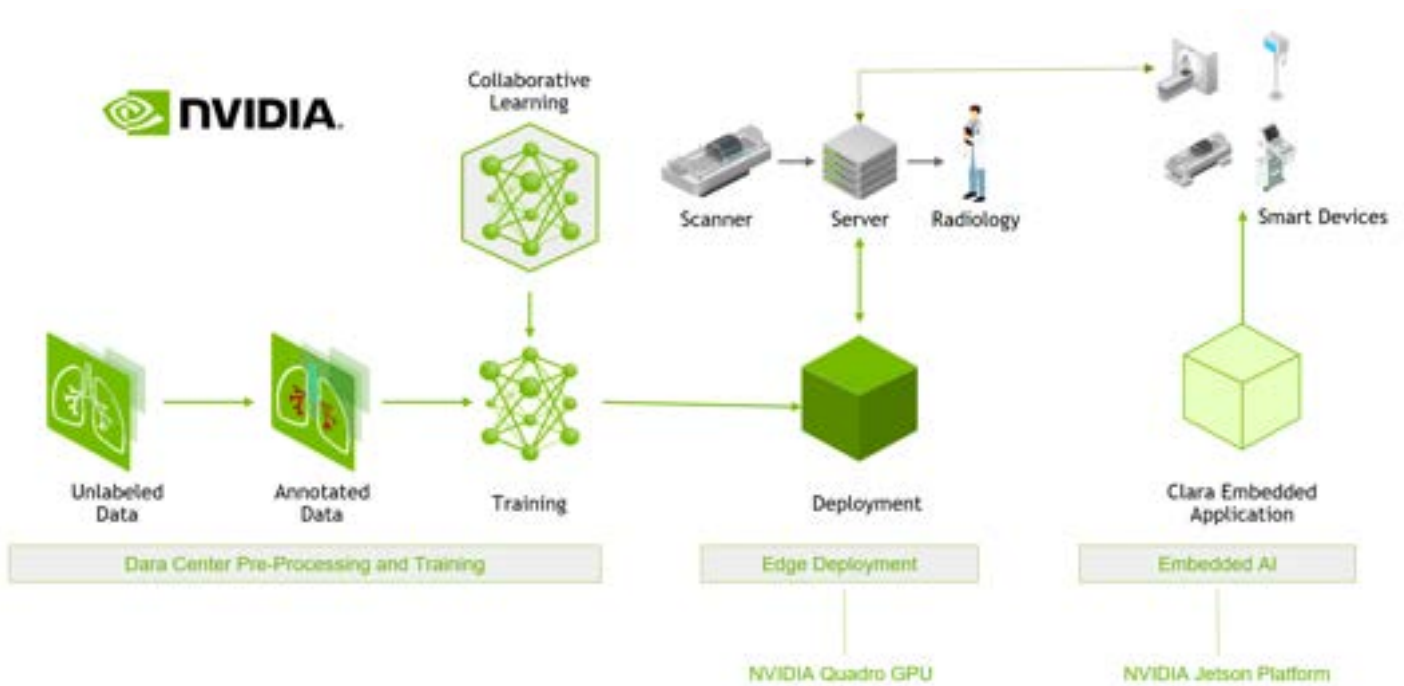
- ◆ Support NVidia/intel Solution
- ◆ Medical grade AI Box
- ◆ The first AI All in One PC
- ◆ Mobile tablet support AI inference





Artificial intelligence (AI) is becoming more popular in different applications, Onyx is partnering with NVIDIA to develop new AI medical products. These products highlight Onyx's close relationship with NVIDIA in our combined commitment to create better, and smarter AI medical devices and applications. With our close collaboration in medical AI product development and shared worldwide marketing programs, Onyx and NVIDIA are advancing innovation for medical AI applications.

## NVIDIA CLARA An application framework optimized for healthcare & life sciences developers

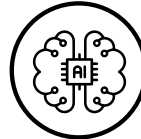
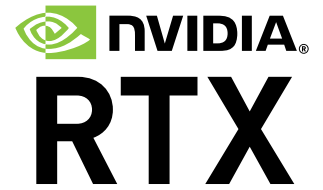


NVIDIA has partnered with Onyx Healthcare to take on the challenges of the Medical AI Age. The healthcare industry constantly demands new AI algorithms for computing paradigms to meet the growing need for personalized medicine, next-generation clinics, enhanced quality of care, and breakthroughs in biomedical research to treat disease. With NVIDIA and Onyx Healthcare working together, healthcare institutions can harness the power of artificial intelligence and high-performance computing to define the future of medicine. Onyx Healthcare sets the standard for a professional and reliable medical computer partner that we're honored to be working with.



# AI INFERENCE WITH NVIDIA QUADRO

NVIDIA GPU provides an immediate path to greater deep learning performance. GPUs had evolved into highly parallel multi-core systems, allowing very efficient manipulation of large blocks of data. This design is more effective than general-purpose central processing unit (CPUs) for algorithms in situations where processing large blocks of data is done in parallel. Processing large blocks of data is basically what deep learning does.



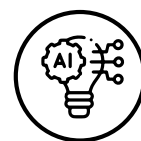
**HIGH PERFORMANCE  
AI INFERENCE SYSTEM**



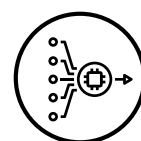
**ACCELERATE AI CALCULATING**

# AI EDGE COMPUTING WITH NVIDIA JETSON PLATFORM

ACCEL-JS series with NVIDIA Jetson platform is a compact, high performance medical AI accelerator especially designed to fit AI market segments. Medical AI developers can utilize the ACCEL-JS series to build containerized AI-skills on the Jetson software stack. With sidecar deployment, aftermarket medical devices can be upgraded to perform AI functions with easy deployment. Furthermore, medical instruments can also have ACCEL-JS500 easily built-in with its compact size, reaching new generations with powerful AI performance. Onyx also provide OEM/ODM service. Help partner perfectly integrate medical device to healthcare field.



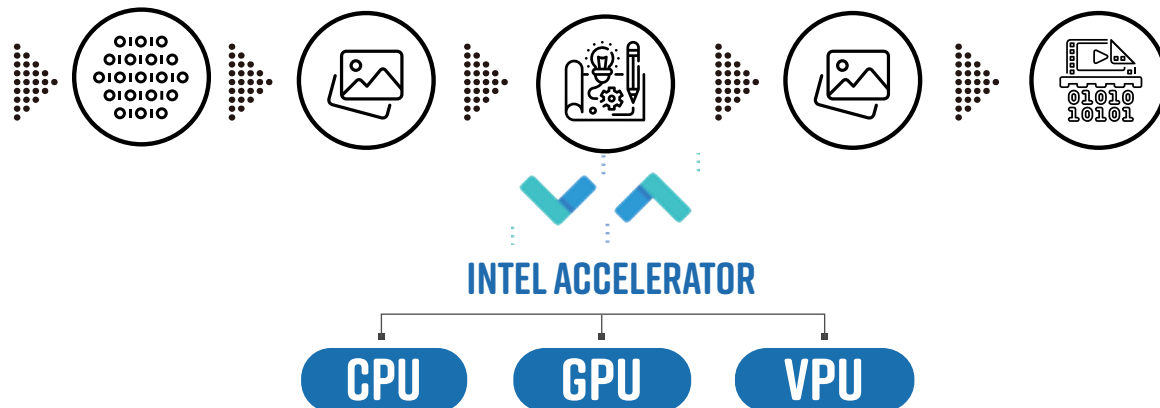
**NVIDIA JETPACK SDK FOR  
END-TO-END AI APPLICATIONS  
DEPLOYMENT**



**MULTIPLE I/O SUPPORT  
FOR VIDEO TO DO COMPUTING  
& ANALYSIS**

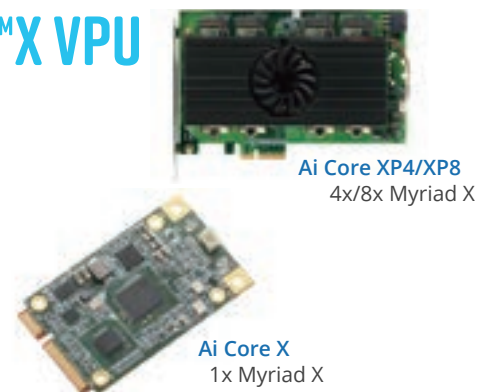


# INTEL DISTRIBUTION OF OpenVINO™ TOOLKIT



## INTEL AI ACCELERATOR: MOVIDIUS™ MYRIAD™ X VPU

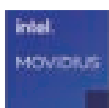
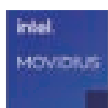
The Intel® Movidius™ Myriad™ X is a low-power high-performance VPU capable of a wide range of AI applications and is capable of processing speeds up to 105 fps (80 typical) and 1 TOPS as a dedicated neural network accelerator. The Intel® Movidius™ Myriad™ X is compatible with Intel® Distribution of OpenVINO toolkit, Making it easy to setup and run AI inference software.



## OpenVINO™

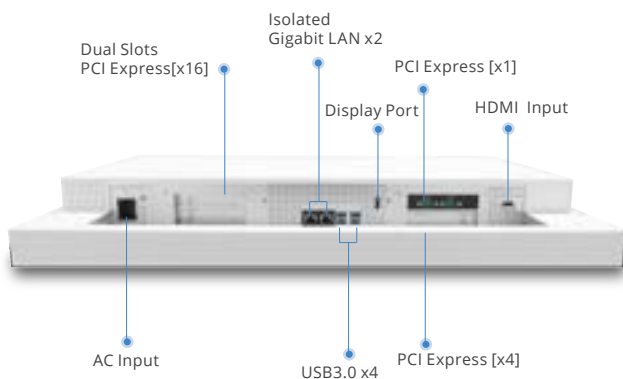
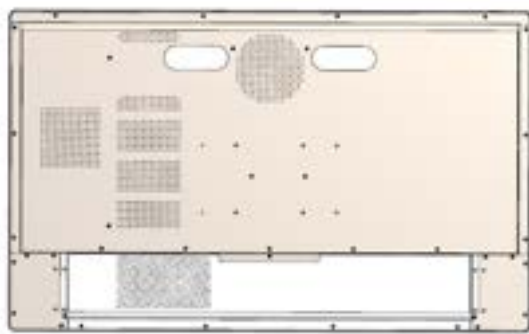
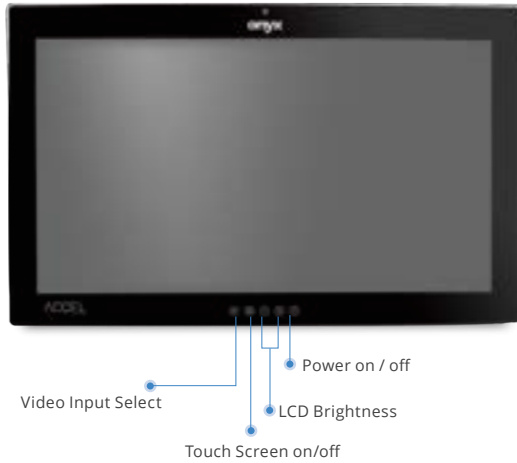
## INTEL DISTRIBUTION OF OPENVINO™ TOOLKIT

The Intel® Distribution of OpenVINO™ toolkit helps accelerate deep learning inference across a variety of Intel® processors and accelerators. Rather than a one-size-fits-all solution, Intel offers a powerful portfolio of scalable hardware and software solutions, powered by the Intel® Distribution of OpenVINO™ toolkit, to meet the various performance, power, and price requirements of any use case



# ACCEL-A3201

32" 4K UHD 11th Generation Xeon / Core i7 Medial All in One PC for AI Inference



## Features

- Intel® Core™ i7-11850HE (8C/16T, 2.1 GHz, 35W)
- Intel® Xeon® W-11865MRE (8C/16T, 2.1 GHz, 35W)
- Supports ECC / Non-ECC DDR4 SODIMM up to 32GB
- 32" UHD 3840x2160 350-nit High Contrast LCD
- Capacitive Multi-Touch Screen
- 5 Programmable Smart Function Keys with Dual Colors LED Status Indication
- LAN/USB(optional)/COM(optional) Medical Isolation
- Dual Slots PCI Express[x16] x1 for High End Graphics Card /GPU Accelerator Card up to 300W
- PCI Express[x4] x1, PCI Express[x1]x1
- Trusted Platform Module 2.0
- Remote Management: Intel Active Management Technology
- 100V to 240V AC Input

## Specifications

### MAIN SPECIFICATIONS

Processor	Intel® Core™ i7-11850HE (8C/16T, 2.1 GHz, 35W) Intel® Xeon® W-11865MRE (8C/16T, 2.1 GHz, 35W)
Chipset	CM236 (for Xeon) / QM170(for Core i7)
System Memory	ECC (for Xeon) / Non-ECC (for Core i7) DDR4 SODIMM up to 32GB
Expansion	PCI Express[x16] x1, PCI Express[x4] x1, PCI Express[x1] x1
Storage Disk Drive	2.5" SATA Hard Disk Drive/Solid State Disk Drive x2
Security	Trusted Platform Module 2.0
Wireless Communication	802.11ac , Bluetooth 5.1
Speaker	5W x 2
Function Key	Power On/Off, LCD, Brightness Up/Down, Touch Screen On/Off , Video Input Select
Power Requirement	100~240V AC
OS Support	Windows® 7, Windows® 10, Linux®

### DISPLAY

Size	32" LCD
Resolution	3840 x 2160
Luminance	350 nits
View Angle	178° (H)/178° (V)
Contrast Ratio	1000:1
Back Light Life Time	30,000 Hours
Touch Screen	Capacitive Multi-Touch

### I/O

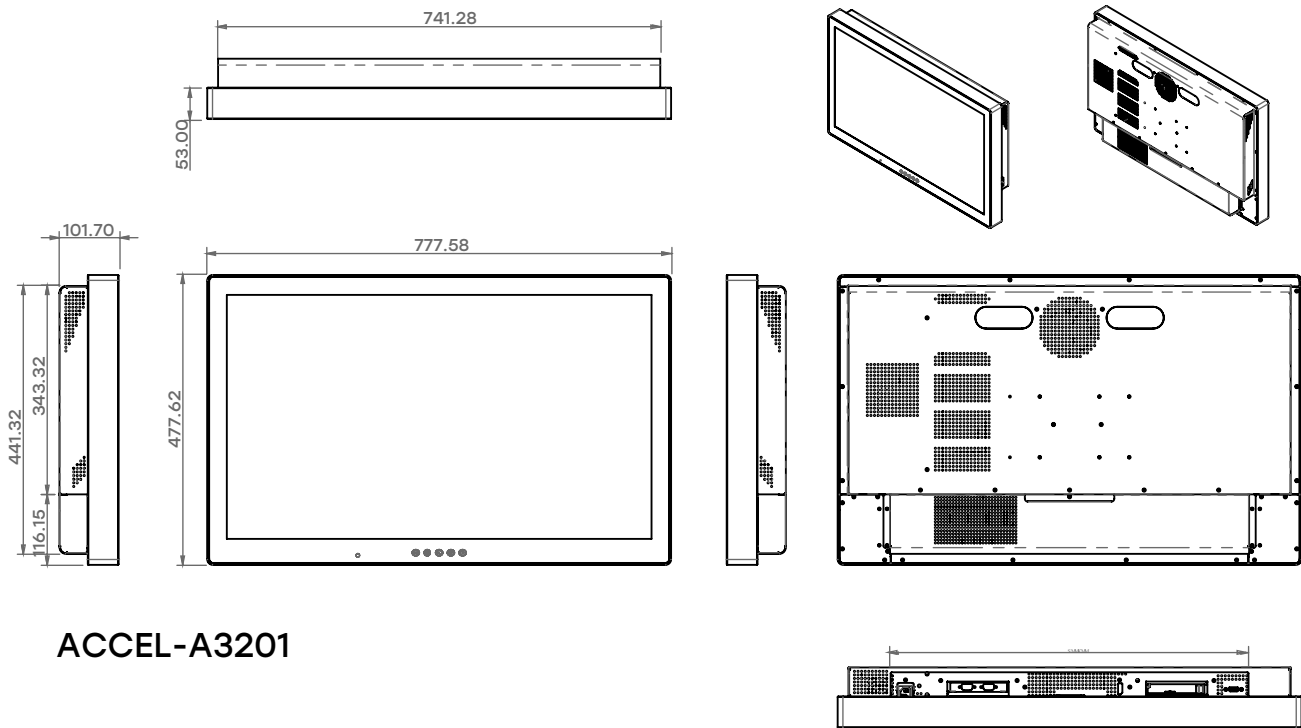
USB	USB 3.0 x4
Serial Port	Isolated RS-232 x2(optional)
Ethernet	Isolated Gigabit LAN x2
Audio	Mic(optional), Line out(optional)
Video Out	Display Port 1.4 x1
Video In	HDMI x1

### MECHANICAL AND ENVIRONMENTAL

Power Consumption	Full loading : 90 Watts
Operating Temperature	0°C ~ 35°C(32°F ~ 95°F)
Storage Temperature	-20°C ~ 60°C(-4°F ~ 140°F)
Mounting	VESA 100mm
Degree of Protection	IP54 in the front, IPX1 in the back
Dimension	778 x 478 x 102mm
Package Size	910 x 618 x 220 mm
Gross Weight	21.5 kg (47.4 lb)
Net Weight	18.5 kg (40.8 lb)
Certifications	CE: EN 60601-1-2:2015(V4.0), EN 60601-1:2006/A1:2013(V3.1) FCC: Part 18 Class B UL: ANSI/AAMI ES60601-1:2012 (V3.1) CUL: CAN/CSA-C22.2 No. 60601-1:2014 (V3.1)

## 32" 4K UHD 11th Generation Xeon / Core i7 Medial All in One PC for AI Inference

### Dimension / Unit: mm



### ACCEL-A3201



### Ordering Information

- ACCEL-A3201-P1-A1-0010  
OR Station.Xeon E3-1505M v5.32" UHD 350-nit.System Fan.  
AC 100~240V. Capacitive Touch
- ACCEL-A3201-P2-A1-0010  
OR Station.i7-6820EQ.32" UHD 350-nit.System Fan.  
AC 100~240V. Capacitive Touch

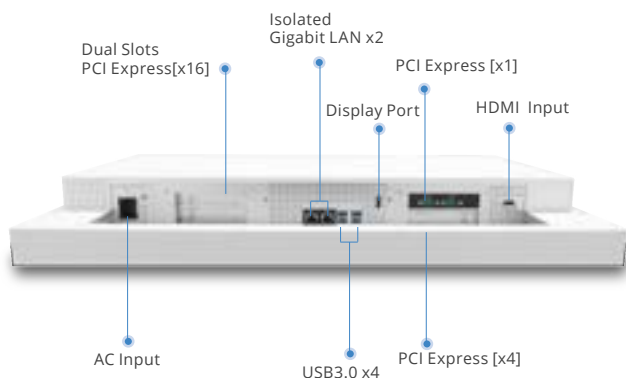
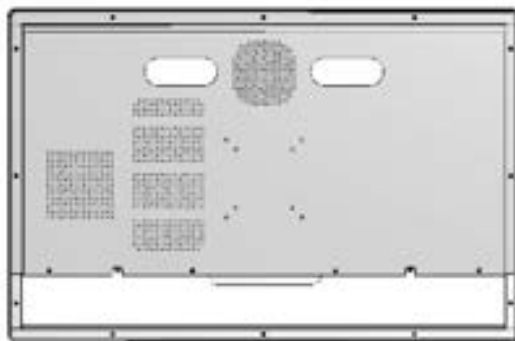
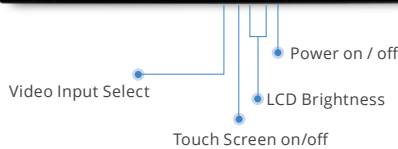
### Optional Accessories

- OPM-C15W-A6  
WLAN Kit, 802.11a/b/g/n/ac + BT 5.1
- OPM-C02C-A3  
One Isolated USB 2.0 + Two Isolated RS-232 PCIe Card
- OPM-C02C-A4  
Two Isolated RS-232 PCIe Card
- 9789320100  
IR Remote Control for Display Setting
- OPM-H08S-A2  
Desktop Stand, White Color, VESA 75/100,  
385mm Height .

AI Hardware Solution

# ACCEL-A2701

27" 4K UHD 11th Generation Xeon / Core i7 Medial All in One PC for AI Inference



## Features

- Intel® Core™ i7-11850HE (8C/16T, 2.1 GHz, 35W)
- Intel® Xeon® W-11865MRE (8C/16T, 2.1 GHz, 35W)
- Supports ECC / Non-ECC DDR4 SODIMM up to 32GB
- 27" UHD 3840x2160 250-nit High Contrast LCD
- Capacitive Multi-Touch Screen
- 5 Programmable Smart Function Keys with Dual Colors LED Status Indication
- LAN/USB(optional)/COM(optional) Medical Isolation
- Dual Slots PCI Express[x16] x1 for High End Graphics Card /GPUAccelerator Card up to 300W
- PCI Express[x4] x1, PCI Express[x1]x1
- Trusted Platform Module 2.0
- Remote Management: Intel Active Management Technology
- 100V to 240V AC Input

## Specifications

### MAIN SPECIFICATIONS

Processor	Intel® Core™ i7-11850HE (8C/16T, 2.1 GHz, 35W) Intel® Xeon® W-11865MRE (8C/16T, 2.1 GHz, 35W)
Chipset	CM236 (for Xeon) / QM170(for Core i7)
System Memory	ECC (for Xeon) / Non-ECC (for Core i7) DDR4 SODIMM up to 32GB
Expansion	PCI Express[x16] x1, PCI Express[x4] x1, PCI Express[x1] x1)
Storage Disk Drive	2.5" SATA Hard Disk Drive/Solid State Disk Drive x2
Security	Trusted Platform Module 2.0
Wireless Communication	802.11ac, Bluetooth 5.1
Speaker	5W x 2
Function Key	Power On/Off, LCD, Brightness Up/Down, Touch Screen On/Off, Video Input Select
Power Requirement	100~240V AC
OS Support	Windows® 7, Windows® 10, Linux®

### DISPLAY

Size	27" LCD
Resolution	3840 x 2160
Luminance	250 nits
View Angle	178°(H)/178°(V)
Contrast Ratio	1000:1
Back Light Life Time	30,000 Hours
Touch Screen	Capacitive Multi-Touch

### I/O

USB	USB 3.0 x4
Serial Port	Isolated RS-232 x2(optional)
Ethernet	Isolated Gigabit LAN x2
Audio	Mic(optional), Line out(optional)
Video Out	Display Port 1.4 x1
Video In	HDMI x1

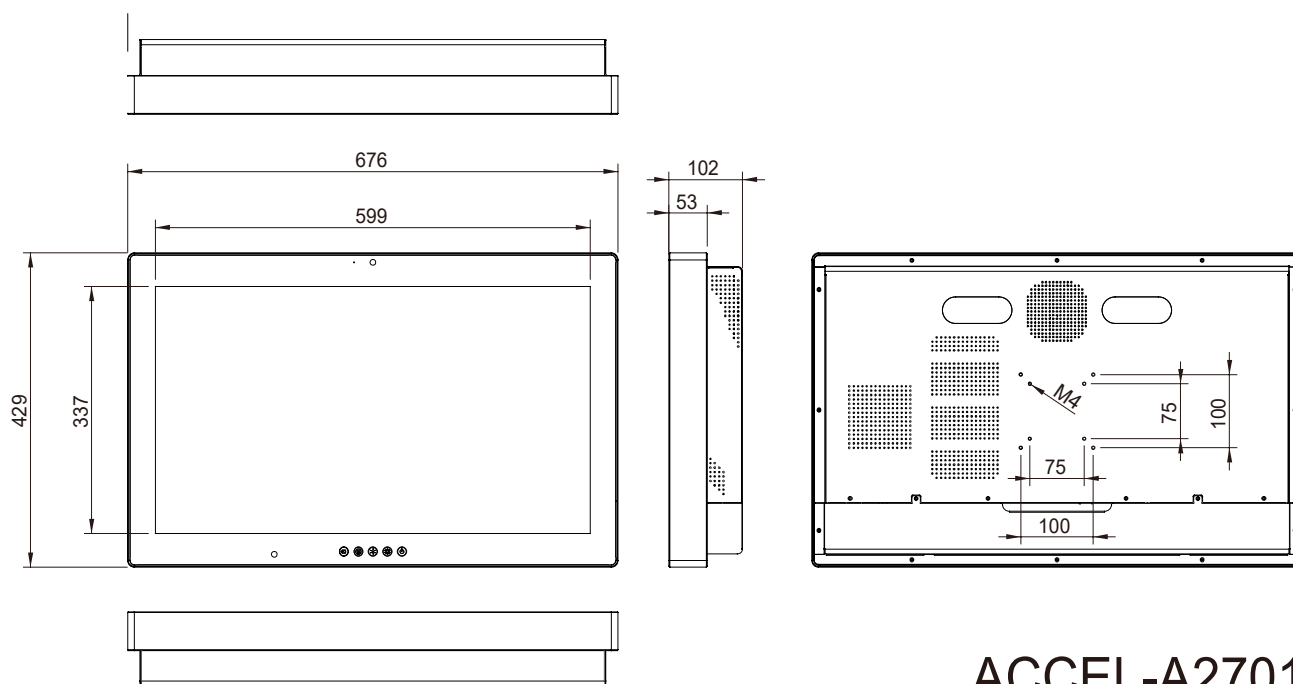
### MECHANICAL AND ENVIRONMENTAL

Power Consumption	Full loading : 90 Watts
Operating Temperature	0°C ~ 35°C(32°F ~ 95°F)
Storage Temperature	-20°C ~ 60°C(-4°F ~ 140°F)
Mounting	VESA 100mm
Degree of Protection	IP54 in the front, IPX1 in the back
Dimension	676 x 429 x 102 mm
Package Size	820 x 575 x 230 mm
Gross Weight	16 kg (35.3 lb)
Net Weight	13.5 kg (29.76 lb)
Certifications	CE: EN 60601-1-2:2015(V4.0), EN 60601-1:2006/A1:2013(V3.1) FCC: Part 18 Class B UL: ANSI/AAMI ES60601-1:2012 (V3.1) cUL: CAN/CSA-C22.2 No. 60601-1:2014 (V3.1)



## 27" 4K UHD 11th Generation Xeon / Core i7 Medial All in One PC for AI Inference

### Dimension / Unit: mm



# ACCEL-A2701



### Ordering Information

- ACCEL-A2701-P1-A1-0010  
OR Station. Xeon E3-1505M v5.27" UHD.  
AC 100~240V.Capacitive Touch
- ACCEL-A2701-P2-A1-0010  
OR Station. i7-6820EQ.27" UHD.  
AC 100~240V.Capacitive Touch

### Optional Accessories

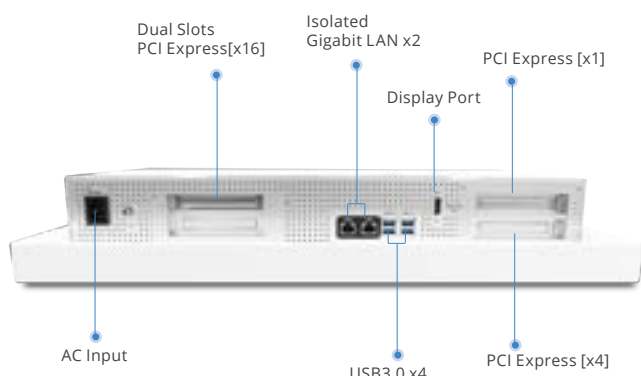
- OPM-C15W-A6  
WLAN Kit, 802.11a/b/g/n/ac + BT 5.1
- 9789320100  
Remote Control for Display Setting
- OPM-T004-A5  
5M Pixels Camera with Mic Kit
- OPM-C02C-A3  
One Isolated USB 2.0 + Two Isolated RS-232 PCIe Card
- OPM-C02C-A4  
Two Isolated RS-232 PCIe Card
- OPM-H08S-A1  
Desktop Stand, White Color, VESA 75/100, 390mm Height Max.

# ACCEL-A2401

24" FHD 9th Generation Xeon / Core i7 Medial All in One PC for AI Inference



Power on / off  
LCD Brightness  
Touch Screen on/off



## Features

- Intel® 9th Generation Xeon E-2276ML 2.0GHz Six Core /Core i7-9850HL 1.9GHz Six Core
- Supports ECC / Non-ECC DDR4 SODIMM up to 64GB
- 24" FHD 1920x1080 400-nit High Contrast LCD
- Capacitive Multi-Touch Screen
- 4 Programmable Smart Function Keys with Dual Colors LED Status Indication
- LAN/USB(optional)/COM(optional) Medical Isolation
- Dual Slots PCI Express[x16] x1 for High End Graphics Card /GPUAccelerator Card up to 250W
- PCI Express[x4] x1, PCI Express[x1]x1
- Trusted Platform Module 2.0
- Remote Management: Intel Active Management Technology
- 100V to 240V AC Input

## Specifications

### MAIN SPECIFICATIONS

Processor	Intel® 9th Generation Xeon E-2276ML 2.0GHz Six Core / Core i7-9850HL 1.9GHz Six Core
Chipset	CM246 (for Xeon) / QM370(for Core i7)
System Memory	ECC (for Xeon) / Non-ECC (for Core i7) DDR4 SODIMM up to 64GB
Expansion	PCI Express[x16] x1, PCI Express[x4] x1, PCI Express[x1] x1
Storage Disk Drive	2.5" SATA Hard Disk Drive/Solid State Disk Drive x2
Security	Trusted Platform Module 2.0
Wireless Communication	802.11ac, Bluetooth 5.1
Speaker	5W x 2
Function Key	Power On/Off, LCD,Brightness Up/Down, Touch Screen On/Off
Power Requirement	100~240V AC
OS Support	Windows® 10, Linux®

### DISPLAY

Size	24" LCD
Resolution	1920 x 1080
Luminance	400 nits
View Angle	178°(H)/178°(V)
Contrast Ratio	1000:1
Back Light Life Time	30,000 Hours
Touch Screen	Capacitive Multi-Touch

### I/O

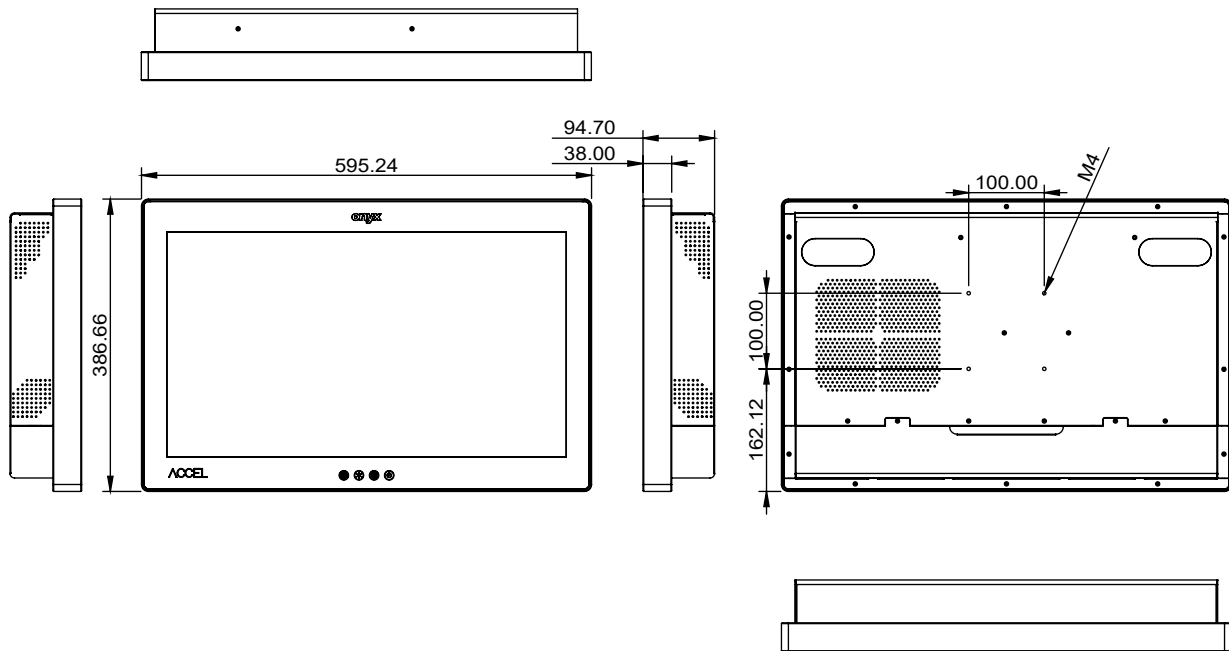
USB	USB 3.0 x4
Serial Port	Isolated RS-232 x2(optional)
Ethernet	Isolated Gigabit LAN x2
Audio	Mic(optional), Line out(optional)
Video Out	Display Port 1.4 x1

### MECHANICAL AND ENVIRONMENTAL

Power Consumption	Full loading : 75 Watts
Operating Temperature	0°C ~ 35°C(32°F ~ 95°F)
Storage Temperature	-20°C ~ 60°C(-4°F ~ 140°F)
Mounting	VESA 100mm
Degree of Protection	IP54 in the front, IPX1 in the back
Dimension	595 x 387 x 95 mm
Package Size	764 x 240 x 534 mm
Gross Weight	13 kg (28.7 lb)
Net Weight	11 Kg (24.3 lb)
Certifications	CE: EN 60601-1-2:2015(V4.0), EN 60601-1:2006/A1:2013(V3.1) FCC: Part 18 Class B UL: ANSI/AAMI ES60601-1:2012 (V3.1) cUL: CAN/CSA-C22.2 No. 60601-1:2014 (V3.1)

## 24" FHD 9th Generation Xeon / Core i7 Medial All in One PC for AI Inference

### Dimension / Unit: mm



### Ordering Information

- ACCEL-A2401-P1-A1-0010  
OR Station.Xeon E3-2276ML.24" FHD.Capacitive Touch
- ACCEL-A2401-P2-A1-0010  
OR Station.i7-9850HL.24" FHD.Capacitive Touch

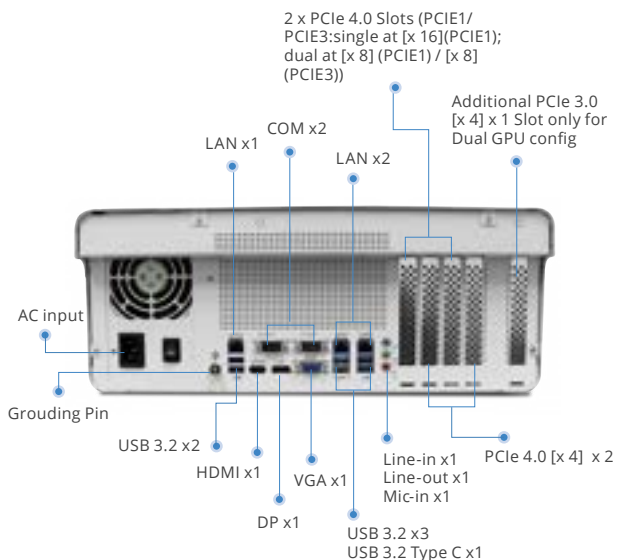
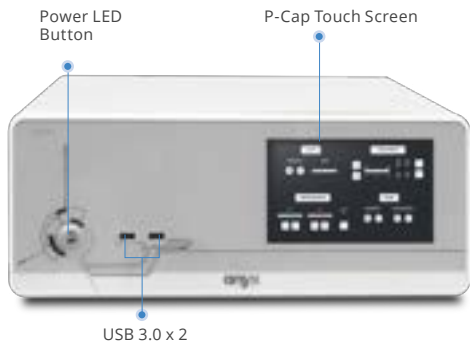
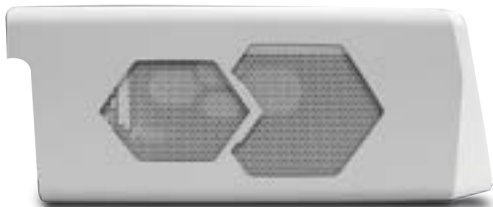
### Optional Accessories

- OPM-C15W-A6  
WLAN Kit, 802.11ac + BT 5.1
- OPM-C02C-A3  
One Isolated USB 2.0 + Two Isolated RS-232 PCIe Card
- OPM-C02C-A4  
Two Isolated RS-232 PCIe Card
- OPM-H08S-A1  
Desktop Stand, White Color, VESA 75/100, 390mm Height Max.

AI Hardware Solution

# ACCEL-VM1000

Dual GPU card Medical AI Edge PC with Intel 12th Gen Core i9 CPU



## Features

- Intel® Core™ i9-12900E Processor 30M Cache, up to 5.00 GHz
- Support 4 x DDR4 3200 288 pin Long-DIMM up to 128GB
- Optional 7" Front Screen with P-Cap Touch
- Support front dual USB 3.0
- Support GPIO and Remote Power Switch design for embedded use
- Support Dual Nvidia RTX A6000 cards and additional capture card installation
- Support 4 x PCIe Gen4 Slots for high end graphic card and capture card integration
- Support Medical Grade 1500W PSU for Dual GPU Card and 700W PSU for Single GPU card

## Application

- Medical AI Application

## Specifications

### MAIN SPECIFICATIONS

Processor	Intel® Core™ i9-12900E Processor 30M Cache, up to 5.00 GHz
System Memory	DDR4 3200 DIMM x 4 up to 128GB
Chipset	Intel® W680
Storage Disk Drive	2.5" SATA SSD x 2, M.2 2280 NVMe SSD x 1
TPM	2.0
Front Scree(Optional)	7" LED Panel with P-Cap Touch
Speaker (Optional)	5W x 2
OS Support	Windows® 10 and 11, Linux (optional)

### I/O

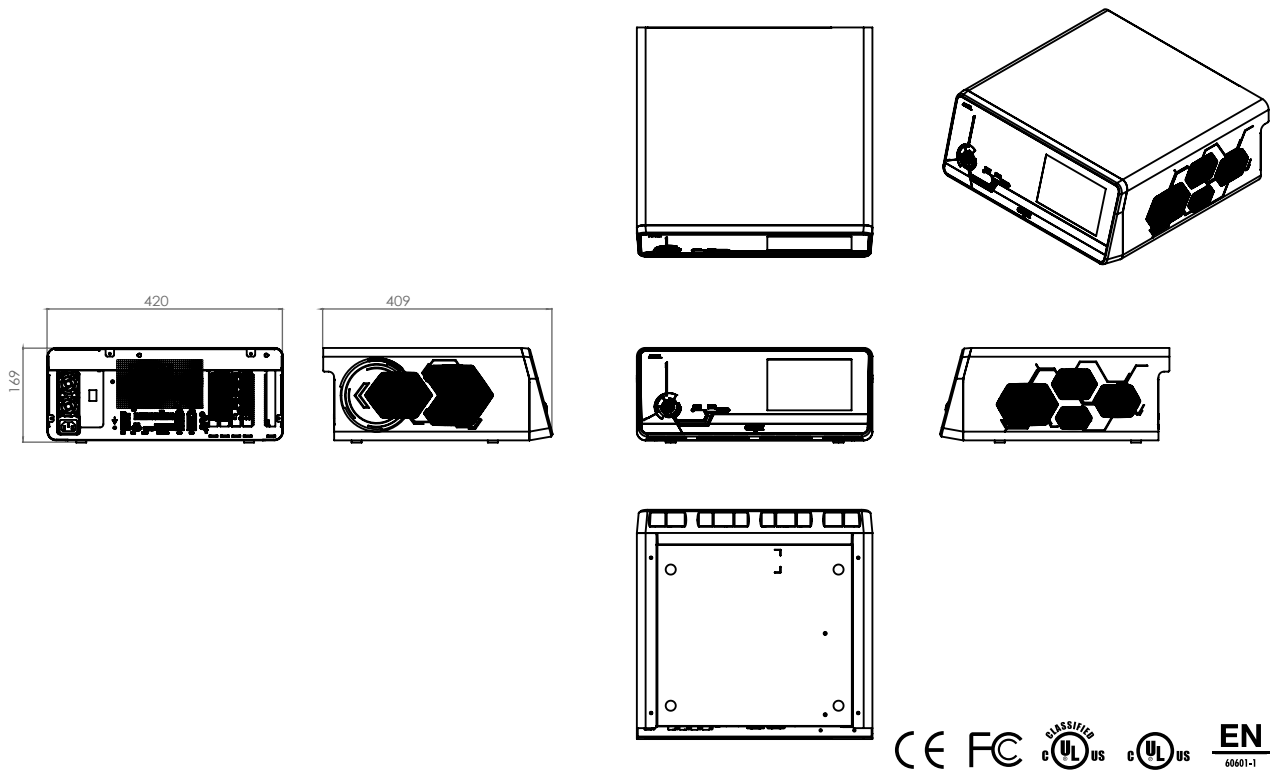
USB	USB 3.2 Gen 2 Type A x 5, USB Gen 2 20G Type C x 1
Ethernet	GigaLAN x 1, 2.5G LAN x 2
Video Out	HDMI 2.0 x 1, DP 1.4 x 1, VGA x 1
Audio	Line-in x 1, Mic-in x 1, Line-out x 1
Series Ports	RS232 x 2
Function I/O	Remote power switch x 1 (Optional) Grounding pin x 1
Power	AC input
Front I/O	USB 3.0 x 2, Power Button x 1
Expansion I/O	2 x PCIe Gen4 Slots (PCIe1/PCIe3:single at x16(PCIe1); dual at x8 (PCIe1) / x8 (PCIe3)) with x16 connector PCIe [x 4] x 2 M.2 2230 E Key x 1 M.2 2280 M Key [PCIe x 4] x 1

### MECHANICAL AND ENVIRONMENTAL

Power	100V to 240V AC Input , 700W or 1500W
Operating Temperature	0°C ~ 35°C(32°F ~ 95°F)
Storage Temperature	-20°C ~ 60°C(-4°F ~ 140°F)
Dimension	420 x 409 x 169 mm
Package Size	600 x290 x510 mm
Gross Weight	12kg
Net Weight	11kg

## Dual GPU card Medical AI Edge PC with Intel 12th Gen Core i9 CPU

### Dimension / Unit: mm



### Ordering Information

- ACCEL-VM1000-N1-A1-1010  
Medical PC.i9-12900E.700W PSU, White
- ACCEL-VM1000-N1-A2-1010  
Medical PC.i9-12900E.7" Panel.700W PSU.P-Cap, White
- ACCEL-VM1000-N1-A3-1010  
Medical PC.i9-12900E.1500W PSU, White
- ACCEL-VM1000-N1-A4-1010  
Medical PC.i9-12900E.7" Panel.1500W PSU.P-Cap , White
- ACCEL-VM1000-N2-A1-1010  
Medical PC.i7-12700E.700W PSU, White
- ACCEL-VM1000-N2-A2-1010  
Medical PC.i7-12700E.7" Panel.700W PSU.P-Cap, White
- ACCEL-VM1000-N2-A3-1010  
Medical PC.i7-12700E.1500W PSU, White
- ACCEL-VM1000-N2-A4-1010  
Medical PC.i7-12700E.7" Panel.1500W PSU.P-Cap, White

### Optional Accessories

- 9686A60000  
(AOH)(TF)Graphics Card.NVIDIA Quadro RTXA6000.48GB.  
GDDR6.PCI-E 4.0\*16.DP 1.4.NVIDIA.RTX A6000
- 9686A50000  
(AOH)(TF)Graphics Card.NVIDIA Quadro RTXA5000.24GB.  
GDDR6.PCI-E 4.0\*16.DP 1.4.NVIDIA.RTX A5000
- OPM-C20W-A7  
WLAN Kit.802.11ax(Wi-Fi 6E).w/BT 5.3.dual ext. antenna.  
Intel.AX210.NGWWGIE.vPro.for ACCEL-VM1000
- A10-SPK-A1  
5W Internal Speaker kit.for ACCEL-VM1000



AI Hardware Solution

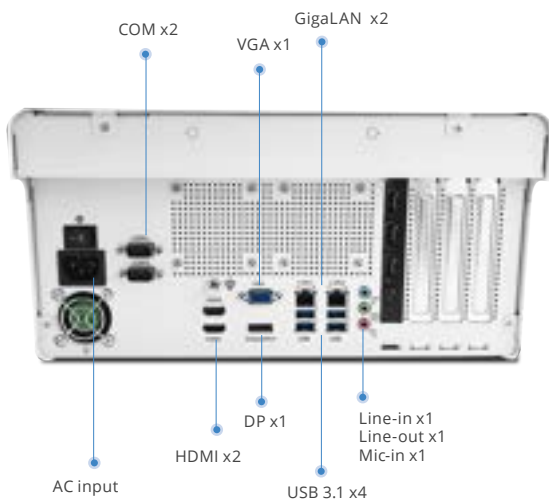
# ACCEL-VM500

Medical AI Computing Platform with 9th Generation Intel Xeon / Core i7 CPU



Power button

USB 2.0 x2 /  
USB 3.0 x2 (optional)



COM x2

VGA x1

GigaLAN x2

AC input

HDMI x2

DP x1

Line-in x1  
Line-out x1  
Mic-in x1

USB 3.1 x4

## Features

- Intel® 9th generation Core I/Xeon Processor with C246A chipset
- Supports ECC DDR4 DIMM up to 64GB memory
- Excellent Thermal design with low fan noise OR room environment
- Support TPM 2.0 for security management
- Support Three 4K Displays: HDMI x 2, DP x 1
- System is medical Certified with graphic card and capture card
- Support the integration of Nvidia RTX A4000, A5000 and A6000 GPU Card
- Support CD DVD(optional)
- Support Built in speaker (optional)

## Application

- Equipment control
- Video recording in OR room
- Medical AI Application

## Specifications

### MAIN SPECIFICATIONS

Processor	Intel® 9th generation Core I/Xeon Processor
System Memory	Supports ECC/Non-ECC DDR4 2133 DIMM x 4 up to 64GB
Chipset	Intel® C246A
OS Support	Windows® 10 , Windows® 11 , Linux (optional)
Storage Disk Drive	2.5" SATA SSD x 2, M.2 2280 M Key SSD x 1 (NVMe or SATA SSD)
TPM	2.0
Speaker (Optional)	Built in Speaker
CD DVD(Optional)	SATA DVD+/-RW White Color

### I/O

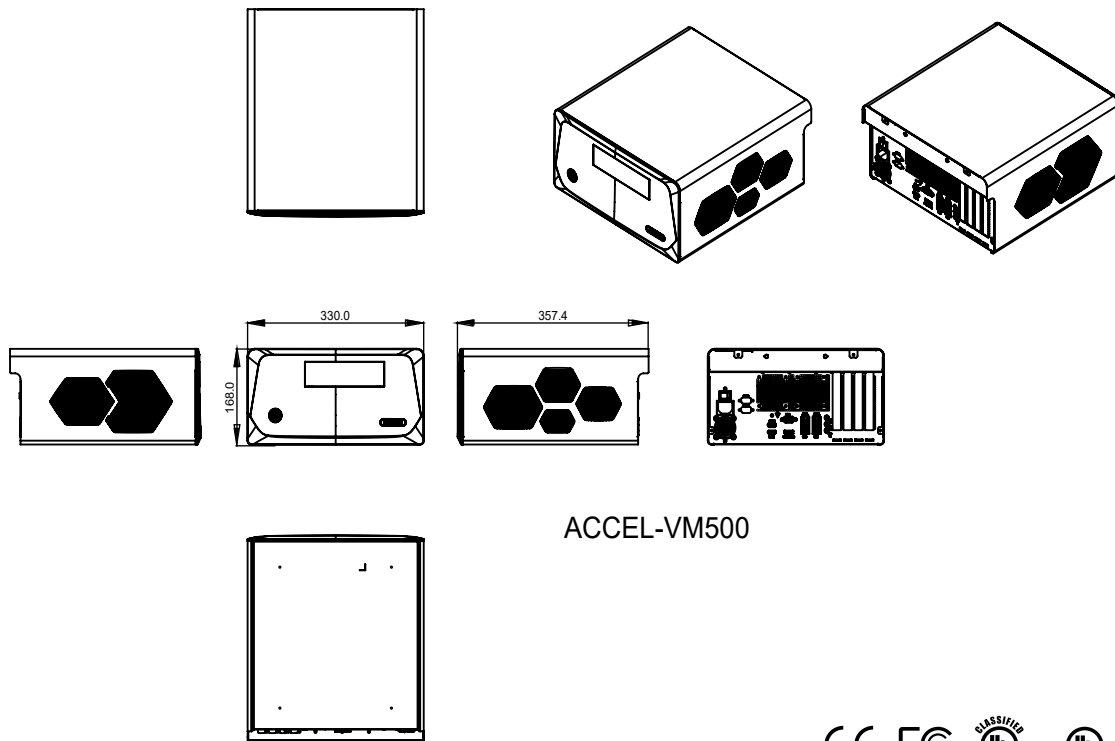
USB	Rear USB 3.1 Gen 1 x 4
	Front USB 2.0 or USB 3.0(Optional)
	Rear USB 3.1 Gen 2 x 6(Optional)
Ethernet	Gigabit LAN x 2
Audio	Line-in x 1, Mic-in x 1 and Line-out x 1
Serial Ports	RS-232 x 2
Extension area	M.2 E Key 2230 x 1 for Wireless module PCIe 3.0[x16] x1, PCIe 3.0 [x4] x2, PCIe 3.0 [x1] x 1
Capture card (optional)	4Kp60: HDMI 2.0 in FHD: HDMI x1, DVI-I x 1, YPbPr x1, SDI x1, CVBS x 1, S-Video x 1

### MECHANICAL AND ENVIRONMENTAL

Power Consumption	100V to 240V AC Input, 500W
Operating Temperature	0°C ~ 35°C(32°F ~ 95°F)
Storage Temperature	-20°C ~ 60°C(-4°F ~ 140°F)
Dimension	330 x357.4 x168 mm
Package Size	500 x 490 x 300 mm
Gross Weight	8.6 kg
Net Weight	8 kg

## Medical Video Management System with 9th Generation Intel Xeon / Core i7 CPU

### Dimension / Unit: mm



ACCEL-VM500



### Ordering Information

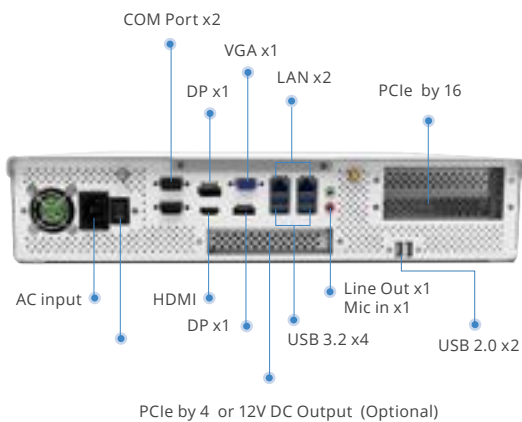
- ACCEL-VM500-N1-A1-0010  
Medical Box PC.I7-9700E.FAN.4PCIe slot.AC 100~240V.White
- ACCEL-VM500-N2-A1-0010  
Medical Box PC.E-2278GE.FAN.4PCIe slot.AC 100~240V.White
- ACCEL-VM500R-N1-A1-0010  
4K UHD Medical Recorder.i7-9700E.Fan.16GB RAM.1TB HDD.Win 10 IoT.4Kp60+FHD.  
ACCE-RM Pre-installed

### Optional Accessories

- OPM-C12W-A13  
WLAN Kit.802.11a/b/g/n/ac.w/BT 4.1.dual ext. antenna.  
Qualcomm Atheros NFA364A.for ACCEL-VM500
- OPM-C15W-A13  
WLAN Kit.802.11a/b/g/n/ac.BT 5.dual ext. antenna.  
Intel AC 9260NGWGIE.NV,999LV6.for ACCEL-VM500
- 9686666685  
4k HDMI capture card.2 Port.HDMI2.0
- 9686015601  
Full HD PCIe Video.Capture Card. 1×HDMI, 1×DVI-I, 1×YPbPr,  
1×SDI, 1×CVBS, 1×S-Video
- A50-SEC-A1  
Second 2.5" HDD/SSD kit .for ACCEL-VM500
- A50-SPK-A2  
5W Internal Speaker kit.for ACCEL-VM500
- 9686A40000  
(AOH)(TF)Graphics Card.NVIDIA Quadro RTXA4000.16GB.GDDR6.  
PCI-E 4.0\*16.DP 1.4.NVIDIA.RTX A4000
- 9686A50000  
(AOH)(TF)Graphics Card.NVIDIA Quadro RTXA5000.24GB.GDDR6.  
PCI-E 4.0\*16.DP 1.4.NVIDIA.RTX A5000
- 9686A60000  
(AOH)(TF)Graphics Card.NVIDIA Quadro RTXA6000.48GB.GDDR6.  
PCI-E 4.0\*16.DP 1.4.NVIDIA.RTX A6000

# ACCEL-VM300

Slim Size Medical AI Computing Platform with Intel® 12th generation Core I Processor



## Features

- Design for 2U Rack mount Chassis
- Intel 12 Gen Core i9 Processor
- Support 2.5" SATA SSD x 2 and M.2 M Key NVMe x 2
- Internal Medica 500WI PSU
- Support 1 x PCIe by 16 slot for Grphic card integration
- Support 1 x PCIe by 4 for capture card integration (Optional)
- Support DC 12V output for external monitor (Optional)
- Support vertical stand (Optional)

## Application

- Equipment control
- Medical AI Application

## Specifications

### MAIN SPECIFICATIONS

Processor	Intel® 12th generation Core I Processor
System Memory	Support DDR4 3200 SO-DIMM x 2 up to 64GB
Chipset	Intel® Q670
OS Support	Windows® 10 and 11, Linux (optional)
Storage Disk Driver	2.5" SATA SSD x 2 M.2 M Key NVMe x 2
TPM	2.0

### I/O

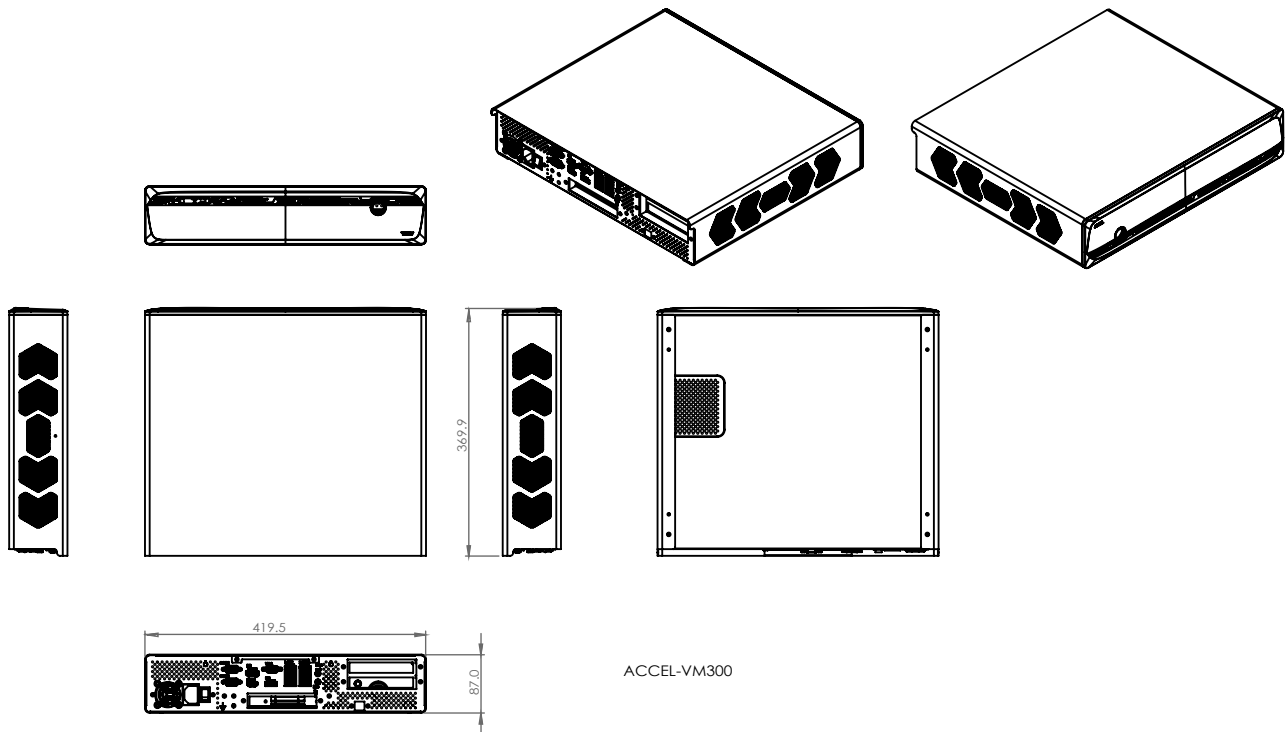
USB	USB 3.2 Gen 2 x 4, USB 2.0 x 2
Ethernet	2.5 GigaLAN x 2
Video out	HDMI x 1, DP x 2, VGA x 1
Audio	Mic-in x 1, Line-out x 1
Serial Ports	RS-232 x 2
Function I/O	Grounding Pin x 1
Power	AC input
Front I/O	USB 3.0 x 2 Power Button x 1
Extension Area	M.2 E Key 2230 x 1 for Wireless module PCIe [x4] x1 (Optional) PCIe [x16] x1

### MECHANICAL AND ENVIRONMENTAL

Power Consumption	100V to 240V AC Input
Operating temperature	0°C ~ 35°C(32°F ~ 95°F)
Storage temperature	-20°C ~ 60°C(-4°F ~ 140°F)
Dimension	419mm x 355mm x 90 mm
Package Size	500mm x 200mm x 630 mm
Gross Weight	9.4kg
Net Weight	8kg
Certifications	CE: EN 60601-1-2:2015(V4.0), EN 60601-1:2006/A1:2013/A12:2014 (V3.1) FCC: Part 18 Class B UL: ANSI/AAMI ES60601-1:2012 (V3.1) cUL: CAN/CSA-C22.2 No. 60601-1:2014 (V3.1)

## Slim Size Medical AI Computing Platform with Intel® 12th generation Core I Processor

### Dimension / Unit: mm



### Ordering Information

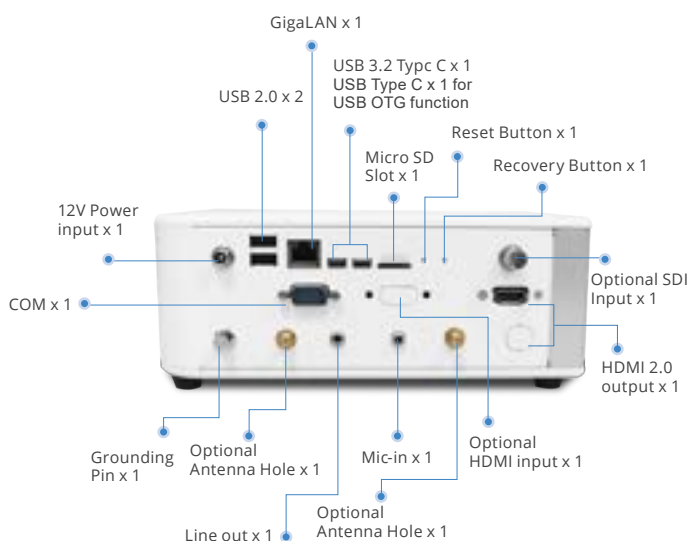
- ACCEL-VM300-N1-A1-0010  
Med PC.i9-12900TE.FAN.1xPCIe by 16.Medical 500W.White.
- ACCEL-VM300-N2-A1-0010  
Med PC.i7-12700TE.FAN.1xPCIe by 16.Medical 500W.White.
- ACCEL-VM300-N3-A1-0010  
Med PC.i5-12500TE.FAN.1 x PCIe by 16.Medical 500W.White

### Optional Accessories

- OPM-V300-A1  
M.2 PCIe Riser Card.for ACCEL-VM300.
- OPM-V300-A2  
DC 12V output kit.for ACCEL-VM300.
- OPM-V300-A3  
Rack Mount kit for ACCEL-VM300
- OPM-C20W-A8  
WLAN Kit.802.11ax(Wi-Fi 6E).w/BT 5.3.dual ext. antenna.Intel.AX210.  
NGWGIE.vPro.for ACCEL-VM300.
- OPM-C03C-A2  
One Isolated RS-232.One Isolated LAN.One Isolated USB.PCI  
Express[x1].for ACCEL-VM300

# ACCEL-JS1000

NVIDIA Jetson AGX Orin platform for Medical AI imaging application



## Features

- NVIDIA Jetson AGX Orin platform with 64GB LPDDR5 or 32GB LPDDR5
- Powerful AI computing performance with up to 275 TOPS
- Support HDMI 2.0 video output
- Compact size suitable for space limited area
- Support 3G SDI or 12G SDI or HDMI video input
- Medical certified with CE/FCC/UL
- Support optional PCIe [x8] x1 for possible customization
- Support built in speaker x 2

## Specifications

### MAIN SPECIFICATIONS

AI Engine	NVIDIA Jetson AGX Orin
CPU	8-core Arm® Cortex®-A78AE v8.2 64-bit CPU 2MB L2 + 4MB L3 (ACCEL-JS1000-N1) 12-core Arm® Cortex®-A78AE v8.2 64-bit CPU 3MB L2 + 6MB L3(ACCEL-JS1000-N2)
System Memory	32GB or 64GB 256-bit LPDDR5 204.8 GB/s
Graphics	1792-core NVIDIA Ampere GPU with 56 Tensor Cores (ACCEL-JS1000-N1) 2048-core NVIDIA Ampere GPU with 64 Tensor Cores (ACCEL-JS1000-N2)
Storage	64GB eMMC 5.1 , M.2 NVMe Storage (Optional)
OS Support	Linux with Jetpack OS
Security	TPM 2.0
Speaker	2W x Speaer x 2

### I/O

USB	USB Type C x 2 for USB 3.2 , one only support APX mode USB Type A x 2 for USB 2.0
Ethernet	GigaLAN x 1
Video Out	HDMI 2.0 x 1
Video input	3G SDI or 12G SDI or HDMI 3G SDI(Max resolution up to 1920×1080p@60fps), 12G SDI(Max resolution up to 4096×2160@60fps) HDMI (Max resolution up to 1920×1080p@60fps)
Audio	Mic-in x 1 , Line out x 1
Serial Port	RS232 x 1
Function Port	Reset Button x 1 ,Recovery Button x 1, Grounding pin x 1
DC in	12V DC Jack
Front I/O	Power Button with Power LED indicator x 1
Wireless Communication	802.11a/b/g/n/ac/ax.w/BT5.2 (Optional)
Expansion I/O	PCIe [x8] x 1(Optional)

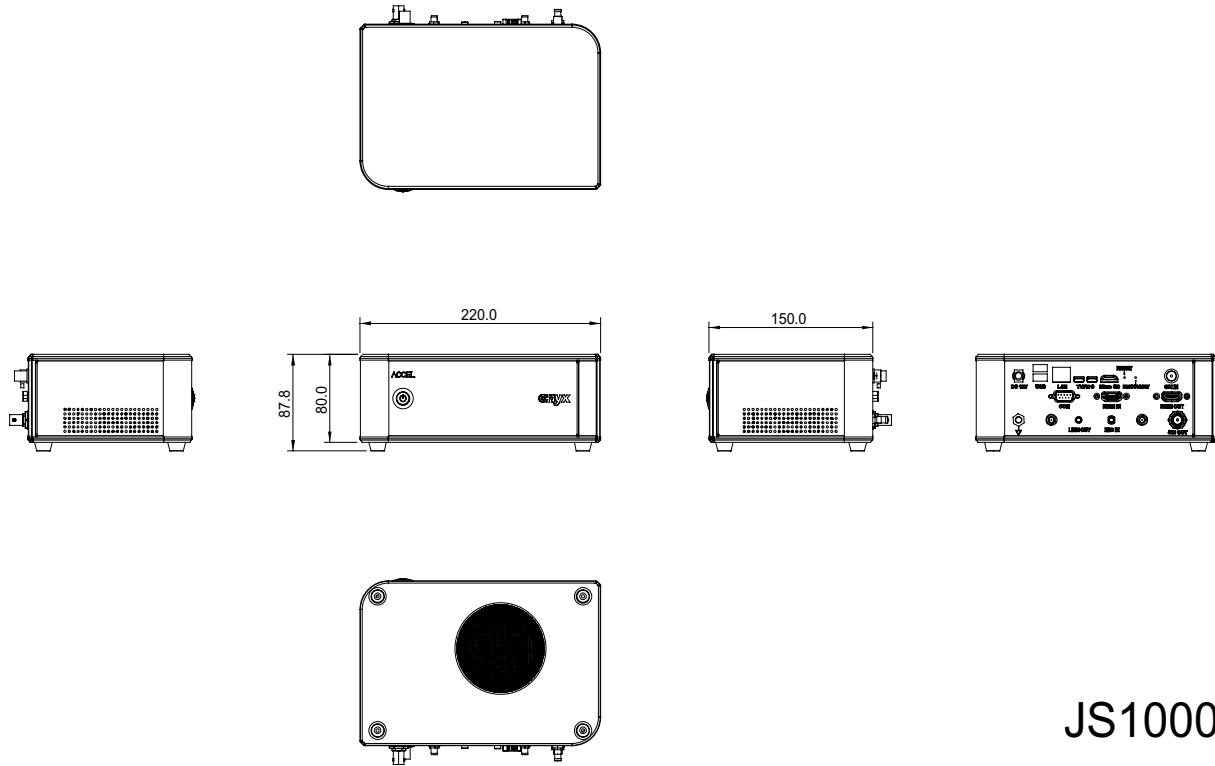
### MECHANICAL AND ENVIRONMENTAL

Power	Medical adapter 12V 120W
Operating temperature	0°C ~ 35°C(32°F ~ 95°F)
Storage temperature	-20°C ~ 60°C(-4°F ~ 140°F)
Dimension	220mm(W) x 87.8mm(H) x 150mm(D)
Package Size	300mm x230mm x210mm
Gross Weight	3.1KG
Net Weight	1.8KG
Certifications	CE: EN 60601-1-2:2015(V4.0), EN 60601-1:2006/A1:2013/A12:2014 (V3.1) FCC: Part 18 Class B UL: ANSI/AAMI ES60601-1:2012 (V3.1) cUL: CAN/CSA-C22.2 No. 60601-1:2014 (V3.1)



## NVIDIA Jetson AGX Orin platform for Medical AI imaging application

### Dimension / Unit: mm



# JS1000

### Ordering Information

- **ACCEL-JS1000-N1-A1-0010**  
Medical AI Edge.Jetson AGX Orin.Fan.HDMI out.64GB eMMC.32GB DDR5.Jetpack.Speaker.Adapter
- **ACCEL-JS1000-N1-A2-0010**  
Medical AI Edge.Jetson AGX Orin.Fan.HDMI out,3G SDI&HDMI input.64GB eMMC.32GB DDR5.Jetpack.Speaker.Adapter
- **ACCEL-JS1000-N1-A3-0010**  
Medical AI Edge.Jetson AGX Orin.Fan.HDMI out,12G SDI input.32GB DDR5.64GB eMMC.Jetpack.Speaker.Adapter
- **ACCEL-JS1000-N1-A4-0010**  
Medical AI Edge.Jetson AGX Orin.Fan.HDMI out, HDMI 2.0 input.32GB DDR5.64GB eMMC.Jetpack.Speaker.Adapter
- **ACCEL-JS1000-N2-A1-0010**  
Medical AI Edge.Jetson AGX Orin.Fan.HDMI out.64GB eMMC.64GB DDR5.Jetpack.Speaker.Adapter
- **ACCEL-JS1000-N2-A2-0010**  
Medical AI Edge.Jetson AGX Orin.Fan.HDMI out,3G SDI&HDMI input.64GB eMMC.64GB DDR5.Jetpack.Speaker.Adapter
- **ACCEL-JS1000-N2-A3-0010**  
Medical AI Edge.Jetson AGX Orin.Fan.HDMI out,12G SDI input.64GB eMMC.64GB DDR5.Jetpack.Speaker.Adapter
- **ACCEL-JS1000-N2-A4-0010**  
Medical AI Edge.Jetson AGX Orin.Fan.HDMI out,HDMI 2.0 input.64GB eMMC.64GB DDR5.Jetpack.Speaker.Adapter

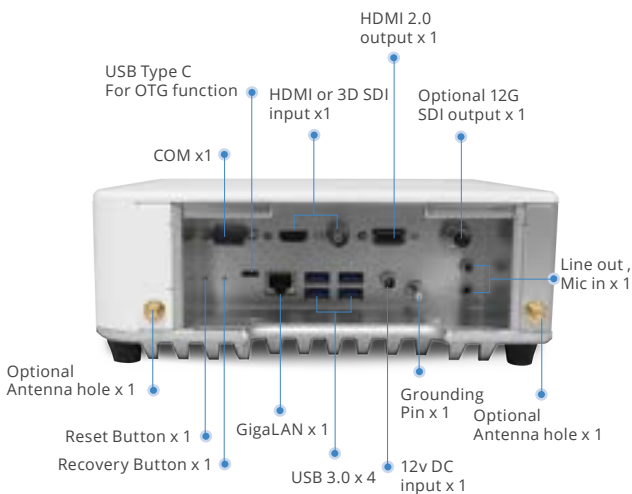
### Optional Accessories

- **OPM-C17W-A3**  
WLAN Kit.802.11ax.w/BT 5.2.dual ext. antenna.Intel.AX200 for ACCEL-JS1000

AI Hardware Solution

# ACCEL-JS800

NVIDIA Jetson Orin NX platform for Medical AI imaging application



## Features

- NVIDIA Jetson Orin NX platform with 16GB LPDDR5 or 8GB LPDDR5
- Powerful AI computing performance with up to 100 TOPS
- Support 12G SDI or HDMI 2.0 video output
- Support 360 degree no dead angle cleaning
- Support Full HD SDI and HDMI video input x 1
- Medical certified with CE/FCC/UL
- Support built in speaker x 2
- Fanless Design
- Support cable cover design for better cable management
- Support IP31 for whole system

## Specifications

### MAIN SPECIFICATIONS

AI Engine	NVIDIA Jetson Orin NX
CPU	6-core Arm® Cortex®-A78AE v8.2 64-bit CPU 1.5MB L2 + 4MB L3 (ACCEL-JS800-N1) 8-core Arm® Cortex®-A78AE v8.2 64-bit CPU 2MB L2 + 4MB L3(ACCEL-JS800-N2)
System Memory	8GB or 16GB 128-bit LPDDR5 102.4 GB/s
Graphics	1024-core NVIDIA Ampere GPU with 32 Tensor Cores
Storage	NVMe M.2 SSD
OS Support	Linux 20.04 with Jetpack 5.0
Security	TPM 2.0
Speaker	2W x Speaker x 2

### I/O

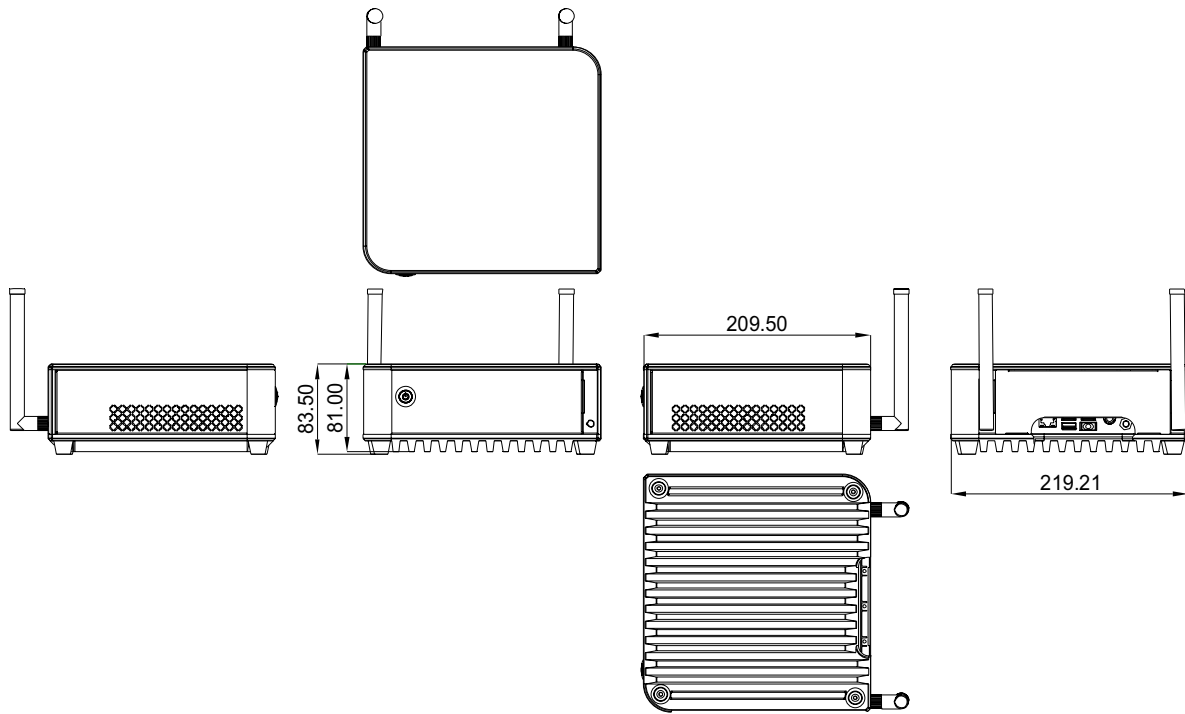
USB	USB OTG Type C x 1 USB 3.0 Type A x 4
Ethernet	GigaLAN x 1
Video out	HDMI 2.0 x 1 or 12G SDI x 1
Video input	3G SDI and HDMI x 1 3G SDI(Max resolution up to 1920×1080p@60fps), HDMI(Max resolution up to 1920×1080p@60fps)
Audio	Mic-in x 1 , Line out x 1
Serial Port	RS232 x 1
Function Port	Reset Button x 1 ,Recovery Button x 1, Grounding pin x 1
DC in	12V DC Jack
Front I/O	Power Button with Power LED indicator x 1
Wireless Communication	802.11a/b/g/n/ac/ax.w/BT5.2 (Optional)

### MECHANICAL AND ENVIRONMENTAL

Power	Medical adapter 12V 65W
Operating temperature	0°C ~ 35°C(32°F ~ 95°F)
Storage temperature	-20°C ~ 60°C(-4°F ~ 140°F)
Dimension	219mm x 209mm x 83.5mm
Package Size	TBC
Gross Weight	TBC
Net Weight	TBC
Certifications	CE: EN 60601-1-2:2015(V4.0), EN 60601-1:2006/A1:2013/A12:2014 (V3.1) FCC: Part 18 Class B, Part 15 Class B, UL: ANSI/AAMI ES60601-1:2012 (V3.1) cUL: CAN/CSA-C22.2 No. 60601-1:2014 (V3.1)

## NVIDIA Jetson Orin NX platform for Medical AI imaging application

## Dimension / Unit: mm



## Ordering Information

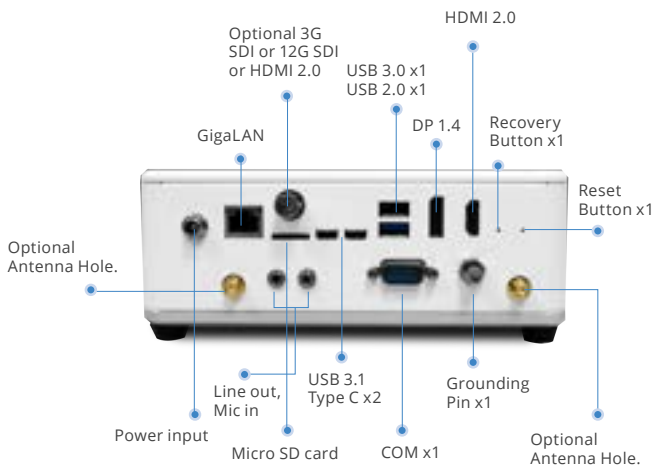
# ACCEL-JS500 / JS500i



NVIDIA Jetson AGX Xavier or AGX Xavier Industrial platform



Power button



## Features

- NVIDIA Jetson AGX Xavier or AGX Xavier Industrial Platform for Medical AI usage.
- Support AGX Xavier Industrial Platform with 10 years Longevity
- 512-core Volta GPU with Tensor Cores
- Support optional 3G or 12G or HDMI 2.0 input for image capture
- Support Dual 4K display output (HDMI and Display port)
- Support internal speaker
- Medical Certification
- Palm size dimension with powerful AI computing

## Specifications

### MAIN SPECIFICATIONS

	ACCEL-JS500	ACCEL-JS500i
AI Engine	NVIDIA Jetson AGX Xavier	NVIDIA Jetson AGX Xavier Industrial
CPU	8-Core ARM v8.2 64bit CPU, 8MB L2 + 4MB L3	
System Memory	32GB 256-bit LPDDR4 w/ECC	
Graphics	512 Core Volta GPU with Tensor Cores	
Storage	64GB eMMC Onboard	
	Micro SD card Slot	
Storage	M.2 M Key 2280 (Only for ACCEL-JS500-N1-A1-0010 and ACCEL-JS500-N1-A2-0010)	M.2 M Key 2280 (Only for ACCEL-JS500i-N1-A1-0010 and ACCEL-JS500i-N1-A2-0010)
	OS support	
OS support	Linux with Jetpack OS	
Security	TPM 2.0	
Speaker	2W x Speaker x 2	

### I/O

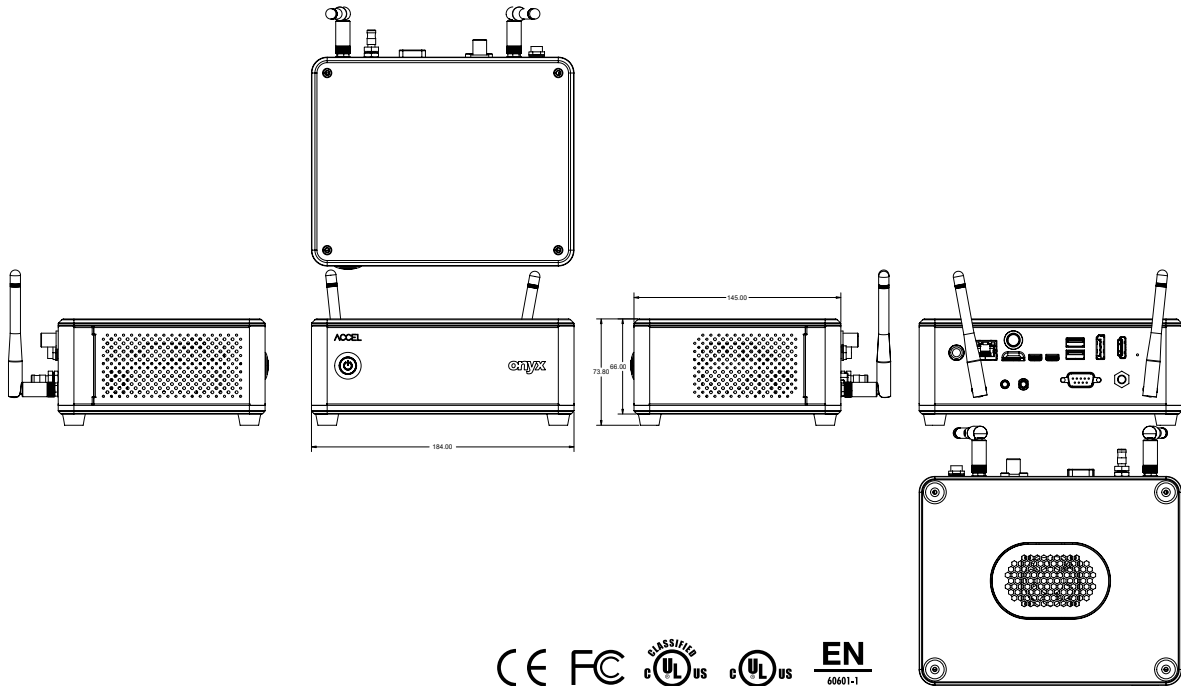
USB	USB Type C x 2 for USB 3.1
	USB Type A x 1 for USB 3.0
	USB Type A x 1 for USB 2.0
Ethernet	Gigabit LAN x 1
Video Out	HDMI 2.0 x 1 , Display Port 1.4 x 1
Video input (Optional)	3G SDI x 1 or 12G SDI x 1 or HDMI 2.0 x 1
	3G SDI(Max resolution up to 1920×1080p@60fps)
	12G SDI(Max resolution up to 4096×2160@60fps)
Audio	HDMI 2.0(Max resolution up to 4096x 2160@60fps)
	Mic-in x 1 , Line out x 1
COM	RS232 x 1
Function Port	Reset Button x 1 , Recovery Button x 1 ,
DC-in	12V DC Jack
Wireless Communication	802.11a/b/g/n/ac.w/BT5.0 (Optional)
LED Indicator	Power LED x 1

### ENVIRONMENT AND MECHANICAL

Power	Medical adapter 12V 84W
Operating temperature	0°C ~ 35°C(32°F ~ 95°F)
Storage temperature	-20°C ~ 60°C(-4°F ~ 140°F)
Dimension	184(W) x 145(L) x 66mm(H)
Package Size	290(W) x 225(L) x 198mm(H)
Gross Weight	2.33 kg
Net Weight	1.675 kg

## NVIDIA Jetson AGX Xavier or AGX Xavier Industrial platform

### Dimension / Unit: mm



### Ordering Information

- ACCEL-JS500-N1-A1-0010  
Medical grade AI box PC, Nvidia Jetson AGX Xavier, Fan. adapter with internal speaker
- ACCEL-JS500-N1-A2-0010  
Medical grade AI box PC, Nvidia Jetson AGX Xavier, Fan. 3G SDI. adapter, with internal speaker
- ACCEL-JS500-N1-A3-0010  
Medical grade AI box PC, Nvidia Jetson AGX Xavier, Fan. 12G SDI. adapter, with internal speaker
- ACCEL-JS500-N1-A4-0010  
Medical grade AI box PC, Nvidia Jetson AGX Xavier, Fan. HDMI 2.0. adapter, with internal speaker
- ACCEL-JS500i-N1-A1-0010  
Medical grade AI box PC, Nvidia Jetson AGX Xavier Industrial, Fan. adapter with internal speaker
- ACCEL-JS500i-N1-A2-0010  
Medical grade AI box PC, Nvidia Jetson AGX Xavier Industrial, Fan. 3G SDI. adapter, with internal speaker
- ACCEL-JS500i-N1-A3-0010  
Medical grade AI box PC, Nvidia Jetson AGX Xavier Industrial, Fan. 12G SDI. adapter, with internal speaker
- ACCEL-JS500i-N1-A4-0010  
Medical AI Edge. Jetson AGX Industrial Xavier. Fan. HDMI 2.0. 32GB DDR4. 32G eMMC. Jetpack OS. Speaker. Adapter

### Optional Accessories

- M14S500030  
(AOH)(TF)Metal.AI.PC.Holder.RAL 9003 H04.Rev0.0.ACCEL-JS500
- OPM-C18W-A15  
WLAN Kit.802.11a/b/g/n/ac w/BT 5.0.dual ext. antenna. Qualcomm Atheros QCNFA364A.for ACCEL-JS500
- OPM-J500-A1  
Second Half Slim Storage.ACCEL-JS500

AI Hardware Solution

# ACCEL-A2203

22" Medical AI Accelerator with NVIDIA Ampere MXM Graphics



MXM



## Features

- NVIDIA RTX A1000/A2000/A4500 MXM Graphics
- Intel® 13th generation Core™ i9/ i7/ i5 / i3 Processor
- Supports Dual Channel DDR5 4800 SODIMM up to 64GB
- 22" Full HD High Contrast LCD
- Capacitive Multi-Touch Screen
- Two Gigabit Ethernet
- High Speed USB 3.2 Gen2 Ports
- RS-232 x 2
- 8MP Camera with Mic (optional)
- Imprivata RFID Reader (optional)
- Reading Light

## Specifications

### MAIN SPECIFICATIONS

Processor	Intel® 13th Gen Core i9-13900TE 24 Cores up to 5.0Ghz
System Memory	Supports Dual Channel DDR5 4800 SODIMM up to 64GB
Expansion	M.2 2280 M Key x1
Graphics	NVIDIA RTX A1000/A2000/A4500
OS Support	Windows® 10, Windows® 11, Linux®
Storage Disk Driver	2.5" SATA Hard Disk Drive/SSD x 1
Security	Trusted Platform Module 2.0 , Imprivata RFID Reader (optional)
Wireless Communication	802.11 ac (optional), 802.11 ax (optional), Bluetooth 5 (optional)
Speaker	2W x 2
Function Key	LCD Brightness Up/Down, Touch Screen On/Off, Reading Light On/Off
Power Requirement	AC 100-240V

### DISPLAY

Size	22" LCD
Resolution	1920 x 1080
Luminance	250 nits
View Angle	178°(H)/178°(V)
Contrast Ratio	1000:1
Back Light Life Time	50,000 Hours
Touch Screen	Capacitive Multi-Touch

### I/O

USB	USB 3.2 Gen2 x2, USB 2.0 x2
Serial Port	RS-232 x 2
Ethernet	2.5 Gigabit LAN x2
Video Out	Display Port 1.4 x2, HDMI 2.0b x1
Audio	Mic-in, Line-out

### MECHANICAL AND ENVIRONMENTAL

Operating Temperature	0°C ~ 35°C(32°F ~ 95°F)
Storage Temperature	-20°C ~ 60°C(-4°F ~ 140°F)
Mounting VESA	75/100 mm
Degree of Protection	IP65 in the front ; IPX1 in the back
Dimension	542 x 355 x 67mm
Package Size	711 x 195 x 503mm
Gross Weight	14 kg (30.86 lb)
Net Weight	7.5 kg(16.5 lb)
Certifications	CE: EN 60601-1-2:2015(V4.0), EN 60601-1:2006/A1:2013(V3.1) FCC: Part 18 Class B UL: ANSI/AAMI ES60601-1:2012 (V3.1) cUL: CAN/CSA-C22.2 No. 60601-1:2014 (V3.1)

AI Hardware Solution

# ACCEL-JS2000

NVIDIA IGX platform for Medical AI imaging application



## Features

- NVIDIA IGX Orin Industrial Module with 250 TOPS AI Performance
- Support RTX A6000 GPU card with up to 600 TOPS AI Performance
- ConnectX-7 High Speed Edge Networking 2 x 100Gbe
- Dedicated MCU to reassure the functional safety
- Built-in BMC controller to provide a standard-based interface to system management and recovery
- System Power design with 700W Medical PSU
- Excellent thermal management to maximize the performance and lower the noise
- 4K SDI capture card integration
- support optional 7" front screen
- Long Life cycle Support
- Medical Certification

## Specifications

### MAIN SPECIFICATIONS

AI Engine	NVIDIA IGX Orin Soc Industrial Module
CPU	12-core Arm® Cortex®-A78AE v8.2
System Memory	64GB 256-bit LPDDR5 204.8 GB/s
Graphics	2,048-core NVIDIA Ampere architecture with 64 Tensor Cores
Storage	M.2 NVMe SSD x 1 / 2.5" SATA SSD x2 /64GB eMMC 5.1
OS Support	Linux 20.04 with Jetpack 5.0
Front Screen (Optional)	7" LED Panel with P-Cap Touch , 400nits, 1280 x 800
Safety	Infineon Aurix TC397
NVIDIA BMC	Aspeed AST2600 Microchip ERoT

### I/O

USB	4 x USB 3.2 Gen 2 Type A 1 x USB 3.2 Gen 2 Type C
Ethernet	2 x 100GbE QSFP28 ports 2 x 1GbE RJ45
Video Out	1 x Display Port 1.4a
Video input (optional)	1 x 12G SDI +1 x HDMI 2.0 HDMI 2.0(Max resolution up to 4096x2160@60fps) 12G SDI(Max resolution up to 4096x2160@60fps)
Audio	3 x 3.5mm AU Jacks(MIC, Line-in and Speaker out)
Serial Port	2 x COM Port
Function Port	Grounding pin x 1
Front I/O	1 x Power Button with Power LED indicator 2 x USB 2.0 Type A "
Wireless Communication	1 x M.2 Key E Key for Wireless Module 1 x M.2 Key B for 5G/LTE module "
Expansion I/O	1 x PCIe Gen5 Double Width Slot (x16) for A6000 1 x PCIe Gen5 Single Width Slot (x8)

### MECHANICAL AND ENVIRONMENTAL

Power	100V to 240V AC Input, 700W Medical Power Supply
Operating temperature	0°C ~ 35°C(32°F ~ 95°F)
Storage temperature	-20°C ~ 60°C(-4°F ~ 140°F)
Dimension	TBC
Package Size	TBC
Gross Weight	TBC
Net Weight	TBC
Certifications	CE: EN 60601-1-2:2015(V4.0), EN 60601-1:2006/A1:2013/A12:2014 (V3.1) FCC: Part 18 Class B UL: ANSI/AAMI ES60601-1:2012 (V3.1) cUL: CAN/CSA-C22.2 No. 60601-1:2014 (V3.1)



# MEDICAL CART COMPUTER

Onyx has developed an all in one panel computer that provides 24/7 non-stop service and offers true mobility. Venus, the medical portable computer, features dual hot swappable batteries system and universal mounting slots. The battery system allow users to replace one of the batteries without turning the computer off. Also, the dual batteries design supply a very long running time and short charging time. Lightweight design with Magnesium alloy rear cover provides high strength and great heat dissipation, and it has mounting slots that will fit any medical cart. Small features that come with the unit such as RFID, reading light bar, and smart card scanner come in handy for the operator.

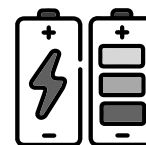


## Key Features

- ◆ Highest level of medical safety protection, EMC4.0 / Safety3.1
- ◆ Built-in dual battery to provide Max 260Wh power for standing 18 hours operating.
- ◆ Support running as 24/7 by swapping batteries.
- ◆ With magnesium alloy rear cover provides high strength , light weight ,and great heat dissipation.
- ◆ ORION, Hospital IT Management Software Package.
- ◆ Hi-speed recharge, flexible mounting type

## NO PENDING FOR CHARGING

Swappable batteries are small and light enough to be changed with one hand while also providing long-lasting, nonstop power.



## CLEANABILITY WITH HOSPITAL SOLVENTS

Venus Series was designed for using in hospital environment. The Front IP65 waterproof and non-gap design was made it more easy to be clean with hospital solvent, and fit almost all the cleaning strategies.



## EASY TO MANAGEMENT REMOTELY (ORION)

ORION, a hospital IT management software package. Remotely monitor battery status including charging cycles, temperature, capacity, and usage statistics, or set custom reminders.



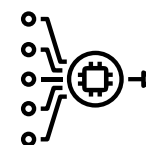
## TPM

A Trusted Platform Module increase privacy and security utilizing hardware-encryption with files to ensure sensitive information remains safe and secure.



## EXTERNAL OUTPUT

24W DC output connector supplies power to additional medical devices



## LIGHTWEIGHT DESIGN

Magnesium alloy construction and 300g batteries ensure the unit is sturdy, yet easy to carry, position and handle.



## SUCCESSFUL STORY

The Venus-Mobile Cart Computer was chosen for use by our nursing staff at the Taiwan Chiang Kai-shek Memory Hospital. The swappable battery saves my time so I can spend more time taking care of more patients. I no longer need to push around a heavy cart from room to room or always look for a socket to charge the battery. I love the lightweight battery and cableless design of Venus which makes the cart lighter and gives me the mobility to move effortlessly and work efficiently. I recommend the Venus series as a practical and useful medical computer for nurses and hospitals.

**Hospital:** Chiang Kai-shek Memory Hospital

**Nurse :** Lucy Wu

**Location** Taiwan

**Benefit :** \* Extremely

\* No idle time, Better Efficiency

\* Perfect battery SW

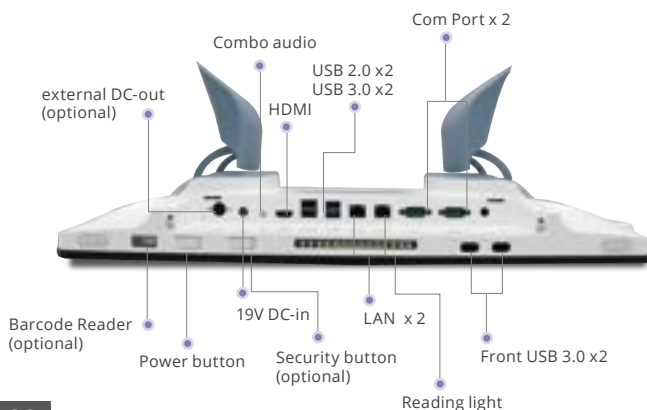
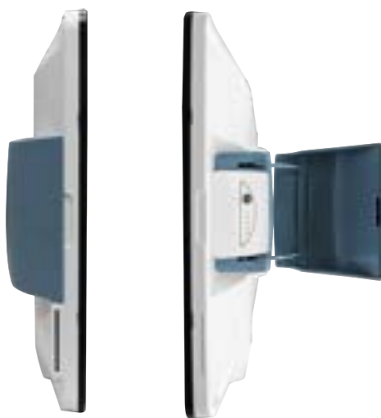
*Venus*  
Mobile Cart Computer



# Medical Cart Computer

# Venus-224/244

22"/24" Dual Hot Swappable Battery Medical Cart Computer



## Features

- Intel 11th gen Tigerlake, fan less implementation
- Windows 11 and IGEL Compliant
- Dual Hot Swap Batteries
- Easy cleanable and anti-bacterial
- Internal Imprivata compliant RFID reader (optional)
- WiFi 6 (optional)
- Compliant with all Venus batteries
- Remotely Manageable by central IT departments

## Specifications

### MAIN SPECIFICATIONS

	Venus-224	Venus-244
Processor	Intel® 11th generation Core i7 1165G7 / i5 1135G7	
System Memory	DDR4 up to 64GB	
OS Support	Microsoft® Windows 11 Microsoft® Windows 10 (64bit) Ubuntu 20.04 LTS IGEL (thin client solution)	
Storage	m.2 SSD up to 1TB	
Wireless Communication	802.11 ac/a/b/g/n + BT 4.1 (optional) Wifi6 + BT 5.2 (optional)	
Touch	PCT (optional)	
Speaker	3W x2	
Trusted Platform Module	TPM 2.0	
Security	Smart Card Reader (optional) Imprivata RFID reader (optional) Barcode reader (optional)	
Waterproof	Front IP65 ; rear IPX1	

### DISPLAY

	Venus-224	Venus-244
Display Size	21.5"	23.8"
Resolution	FHD 1920 x 1080	FHD 1920 x 1080
Max. Colors	16.7M	16.7M
Contrast Ratio	1000:1	3000:1
Luminance (cd/m2)	250	250

### I/O

USB	Rear I/O :USB 3.0 x2, USB 2.0 x2 Front button I/O : USB 3.0 x2
Video Out	HDMI 1.4 x1
COM	COM port x2
Audio	Combo audio port x1
Ethernet	1.5kv isolated Gigabit LAN x2
DC-in	19V DC-in x1

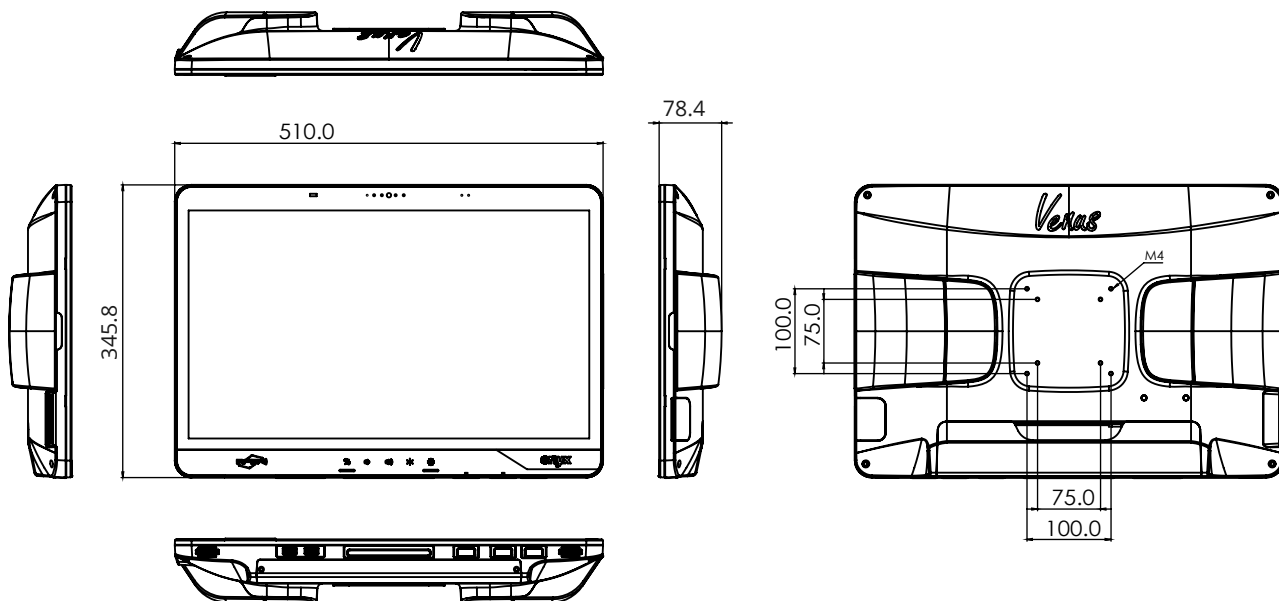
### MECHANICAL AND ENVIRONMENTAL

VESA	75/100 mm VESA mount	
Operating Temperature	0°C ~ 35°C(32°F ~ 95°F)	
Storage Temperature	-20°C ~ 60°C(-4°F ~ 140°F)	
Storage Humidity	10%~95%@40°C, non-condensing	
Dimension	510(L) x 78.4(W) x 346(H)	560(L) x 78.4(W) x 373(H)
Net Weight	6kg	7kg
Gross Weight	10kg(26.5lbs)	11kg(24.3lbs)
Package Size	645(L) x 210(W) x 513(H) mm	730(L) x 240(W) x 550(H) mm
Certifications	CE: EN 60601-1-2:2015(V4.0), EN 60601-1:2006/ A1:2013(V3.1) FCC: Part 18 Class B UL: ANSI/AAMI ES60601-1:2012 (V3.1) cUL: CAN/CSA-C22.2 No. 60601-1:2014 (V3.1)	

ALL PRODUCT, PRODUCT SPECIFICATIONS AND DATA ARE SUBJECT TO CHANGE WITHOUT NOTICE TO IMPROVE RELIABILITY, FUNCTION OR DESIGN OR OTHERWISE.

## 22",24" Dual Hot Swappable Battery Medical Cart Computer

### Dimension / Unit: mm



### Ordering Information

- VENUS-224-P35-A1-0000  
Cart Computer.i5 1135G7.22".Fanless.PCT.TPM
- VENUS-224-G75-A1-0000  
Cart Computer.7505.22".Fanless.TPM
- VENUS-244-P35-A1-0000  
Cart Computer.i5 1135G7.24".Fanless.PCT.TPM
- VENUS-244-G75-A1-0000  
Cart Computer.7505.24".Fanless.TPM

### Optional Accessories

- 125530120B  
19V medical adapter
- DDR4-08G-04  
DDR4 3200 8GB RAM
- SSD-256GB-003  
(AOH)(TF)M.2 2242 SSD.TLC.256GB
- 9789BAXL14  
2 XL Battery Kit(long).Li-ion 3S3P.10.95V.Venus/UPower.  
volume package
- OPM-C17W-A1  
Wifi 6 (intel ax200) for Venus-22x
- OPM-C15W-A8  
WLAN Kit 802.11 a/b/g/n/d . BT 5 . dual band antenna.  
Intel AC9260
- OPM-T035-A1  
Smart card reader
- OPM-S02R-A3  
RFID (imprivata compatible)
- OPM-V02C-A1  
Hello camera
- OPM-S09R-A1  
Barcode reader
- OPM-T036-A1  
Customize physical button
- OPM-T037-A1  
Alarm LED

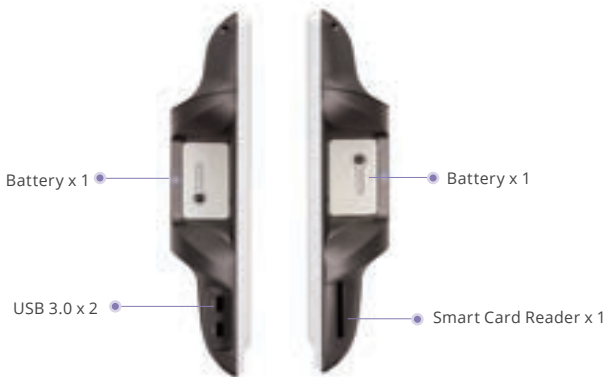
Medical Cart Computer

# Venus-243

23.8" Dual Hot Swappable Battery Medical Cart Computer



intel



## Features

- Highest level of medical safety protection , EMC4.0/ Safety 3.1
- Cleanability with Hospital Solvents (front IP65)
- Hot swappable design, support 24/7 run time
- Intel® Skylake Dual-Core i5 / i7
- Support remote monitor/control/update (ORION compatible)
- Lightweight design
- Front reading light bar

## Specifications

### MAIN SPECIFICATIONS

Processor	Intel® Skylake Dual-Core i5 / i7 , Celeron 3955U
System Memory	DDR4 up to 32GB
OS Support	Microsoft® Windows 7 Microsoft® Windows 8.1 Microsoft® Windows 10 Ubuntu 18.04 LTS IGEL (thin client solution)
Graphics	Intel® HD Graphics 520
Storage	SSD up to 512GB (optional)
Wireless Communication	802.11 ac/a/b/g/n + BT (optional)
Touch	PCT
Speaker	2W x2
Security	TPM 2.0 (Trusted Platform Module), Smart Card Reader, RFID ISO 15693/14443A (optional)

### DISPLAY

Display Size	23.8" VA panel
Resolution	1920 x 1080
Max. Colors	16.7M
Contrast Ratio	3000:1
Luminance (cd/m2)	250

### I/O

USB	Rear I/O: USB 3.0 x 2, USB 2.0 x 2 Side I/O : USB 3.0 x 2
Video Out	HDMI out x1
COM	COM port x1
Audio	Combo audio port x1
Security	Kensington slot
Ethernet	Gigabit LAN x1
DC-in	24V DC-in x1

### MECHANICAL AND ENVIRONMENTAL

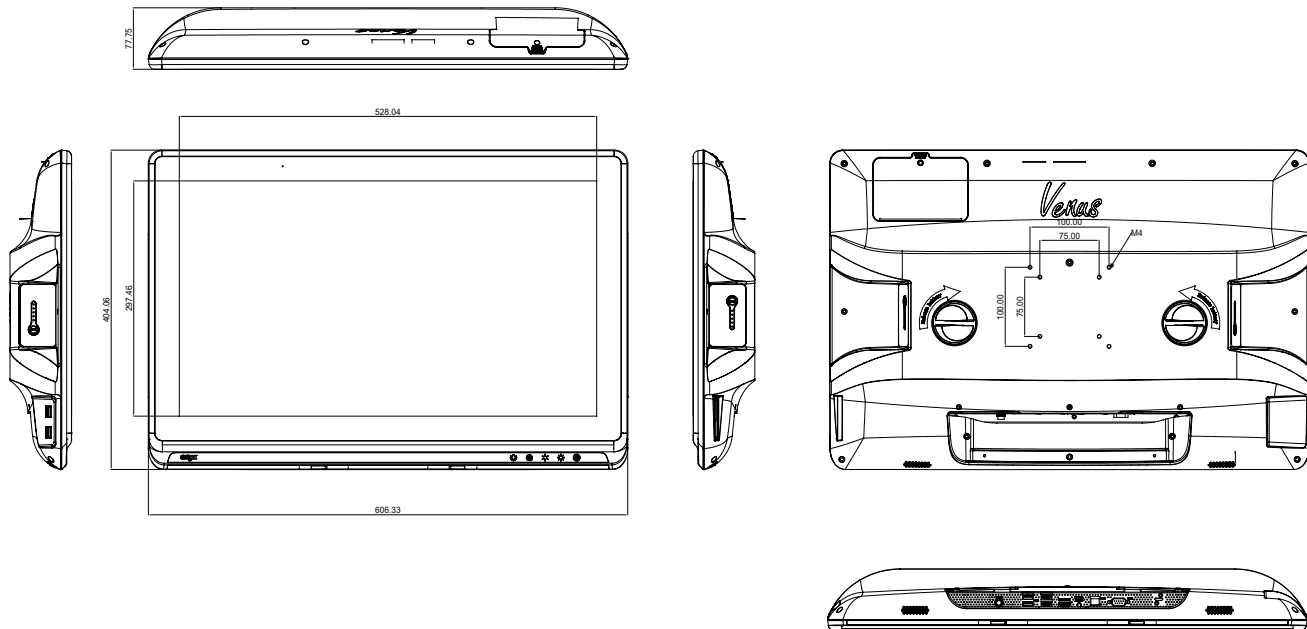
VESA	75/100 mm VESA mount
Operating Temperature	0°C ~ 40°C (32°F ~ 104°F)
Storage Temperature	-20°C ~ 60°C (-4°F ~ 140°F)
Storage Humidity	10%~95%@40°C, non-condensing
Degree of Protection	Front Panel: IP65 ; Rear: IPX1
Dimension	607(L) x 78(W) x 404(H) mm
Net Weight without Battery	8kg (17.6 lbs)
Packing Size	730(L) x 240(W) x 550(H) mm
Gross Weight	12kg (26.5 lbs)
Certifications	CE: EN 60601-1-2:2015(V4.0), EN 60601-1:2006/ A1:2013(V3.1) FCC: Part 18 Class B UL: ANSI/AAMI ES60601-1:2012 (V3.1) cUL: CAN/CSA-C22.2 No. 60601-1:2014 (V3.1)

ALL PRODUCT, PRODUCT SPECIFICATIONS AND DATA ARE SUBJECT TO CHANGE WITHOUT NOTICE TO IMPROVE RELIABILITY, FUNCTION OR DESIGN OR OTHERWISE.



## 23.8" Dual Hot Swappable Battery Medical Cart Computer

Dimension / Unit: mm



### Ordering Information

- VENUS-243ST-A1-1010  
Cart Computer.i5.6300U,24".Fanless.PCT.4G RAM.SCR.TPM. XL Battery x2
- VENUS-243E-A3-0402  
Cart Computer.3955U. 24".Fanless.4G RAM.SCR.TPM. XL Battery x2

### Optional Accessories

- 1255301501  
Medical Adaptor. 100-240V/1.0-2.5A 24V/6.25A 150W
- OPM-S02R-A1  
RFID Reader Kit
- OPM-C15W-A8  
WLAN dual band module Kit.Intel 802.11a/b/g/n/ac+BT 5.
- UP-L62-A1-1010  
6-Slot Charger + 24V/250W adaptor
- UP-P22-A2-1010  
2-Slot Charger + 24V Medical adaptor
- OPM-V02C-05  
5MP Camera kit with Mic



Medical Cart Computer

# Venus-243-AMD

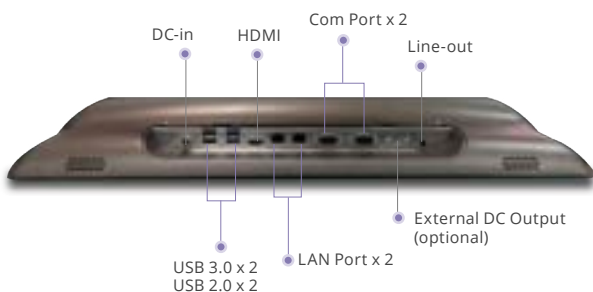
23.8" Dual Hot Swappable Battery Medical Cart Computer



Battery x 1      Battery x 1  
 USB 3.0 x 2      Smart Card Reader x 1



Battery x 1      Battery x 1  
 USB 3.0 x 2      Smart Card Reader x 1



DC-in      HDMI      Com Port x 2      Line-out  
 External DC Output (optional)  
 USB 3.0 x 2      LAN Port x 2  
 USB 2.0 x 2

## Features

- Medical grade certified (EN60601-1/UL60601-1)
- Cleanability with hospital solvents (front IP65/rear IPX1)
- Hot swappable design, support 24/7 run time
- AMD Ryzen™ V1202B / V1605B
- Support remote monitor/control/update (ORION compatible)
- Lightweight design

## Specifications

### MAIN SPECIFICATIONS

Processor	AMD Ryzen™ V1202B / V1605B
System Memory	Up to DDR4 32GB
OS Support	Microsoft® Windows 10 pro (64bit) Microsoft® Windows 10 IOT Enterprise (64bit) Ubuntu 18.04 LTS
Storage	Up to 512 GB (optional)
Wireless Communication	802.11 ac/a/b/g/n + BT 4.0 (optional)
Touch	PCAP
Speaker	2W x2
Security	TPM2.0 SmartCard Reader RFID ISO 15693 / 14443A (optional)

### DISPLAY

Display Size	23.8" VA panel
Resolution	1920 x 1080
Max. Colors	16.7M
Contrast Ratio	3000:1
Luminance (cd/m2)	250

### I/O

USB	Rear I/O : USB 3.0 x2, USB 2.0 x2 Side I/O : USB 3.0 x2
Video Out	HDMI
COM	COM port x2 (isolated optional)
Audio	Combo Audio port x1
Security	Kensington slot
Ethernet	Gigabit LAN x 2
DC-in	24V 2.5mm DC connector x1

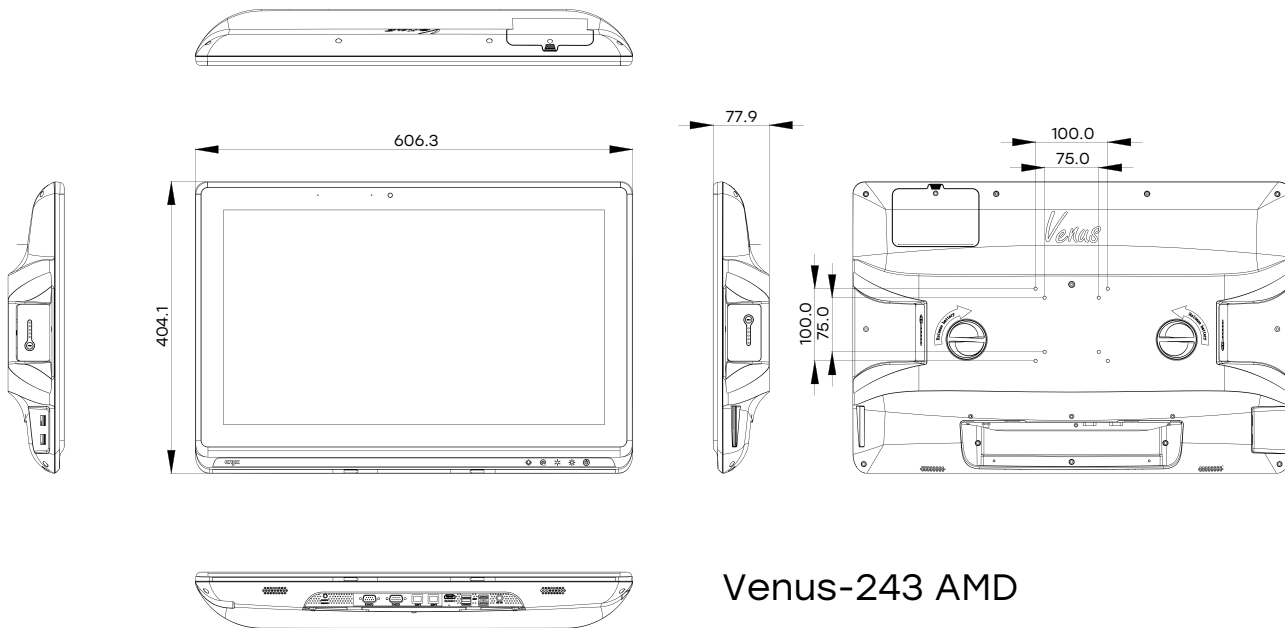
### MECHANICAL AND ENVIRONMENTAL

VESA	75/100 mm VESA mount
Operating Temperature	0°C ~ 40°C(32°F ~ 104°F)
Storage Temperature	-20°C ~ 60°C(-4°F ~ 140°F)
Storage Humidity	10%~95%@40°C, non-condensing
Degree of Protection	Front Panel: IP65 ; Rear: IPX1
Dimension	607(L) x 78(W) x 404(H) mm
Net Weight without Battery	8kg (17.6 lbs)
Packing Size	730(L) x 240(W) x 550(H) mm
Gross Weight	12kg (26.5 lbs)
Certifications	CE: EN 60601-1-2:2015(V4.0), EN 60601-1:2006/ A1:2013(V3.1) FCC: Part 18 Class B UL: ANSI/AAMI ES60601-1:2012 (V3.1) cUL: CAN/CSA-C22.2 No. 60601-1:2014 (V3.1)

ALL PRODUCT, PRODUCT SPECIFICATIONS AND DATA ARE SUBJECT TO CHANGE WITHOUT NOTICE TO IMPROVE RELIABILITY, FUNCTION OR DESIGN OR OTHERWISE.

## 23.8" Dual Hot Swappable Battery Medical Cart Computer

Dimension / Unit: mm



Venus-243 AMD



### Ordering Information

- VENUS-243-G12-A1-0402  
Cart Computer.AMD V1202B . 24". 4G. SCR . TPM. XL Battery x2

### Optional Accessories

- 1255301501  
Medical Adaptor. 100-240V/1.0-2.5A 24V/6.25A 150W
- OPM-S02R-A1  
RFID Reader Kit
- OPM-C15W-A8  
WLAN dual band module Kit . Intel 802.11a/b/g/n/ac +BT 5
- UP-L62-A1-1010  
6-Slot Charger + 24V/250W adaptor
- UP-P22-A2-1010  
2-Slot Charger + 24V Medical adaptor
- OPM-V02C-05  
5MP Camera kit with Mic

# Venus-223

21.5" Dual Hot Swappable Battery Medical Cart Computer



Battery x 1      Battery x 1  
 USB 3.0 x 2      Smart Card Reader x 1



## Features

- Highest level of medical safety protection
- Cleanability with hospital solvents (front IP65)
- Hot swappable design, support 24/7 run time
- Intel® Skylake Dual-Core i5 / Quad-Core J1900
- Support remote monitor/control/update (ORION compatible)
- Lightweight design
- Front reading light bar

## Specifications

### MAIN SPECIFICATIONS

Processor	Intel® Skylake Dual-Core i5 /i7
System Memory	DDR4 up to 32GB
OS Support	Microsoft® Windows 7 Microsoft® Windows 8.1 Microsoft® Windows 10 Ubuntu 18.04 LTS IGEL (thin client solution)
Graphics	Intel® HD Graphics 520
Storage	SSD up to 512GB (optional)
Wireless Communication	802.11 ac/a/b/g/n + BT 4.0 (optional)
Camera	2MP/5MP camera (optional)
Touch	PCT, R-TS (optional)
Speaker	2W x2
Security	TPM 2.0 Smart Card Reader, RFID ISO 15693/14443A (optional)

### DISPLAY

Display Size	21.5" VA panel
Resolution	1920 x 1080
Max. Colors	16.7M
Contrast Ratio	1000:1
Luminance (cd/m2)	250

### I/O

USB	Rear I/O : USB 3.0 x2, USB 2.0 x2 Side I/O : USB 3.0 x2
Video Out	HDMI 1.4 x1
COM	COM port x1
Audio	Combo audio port x1
Security	Kensington slot
Ethernet	Gigabit LAN x1
DC-in	24V DC-in x1

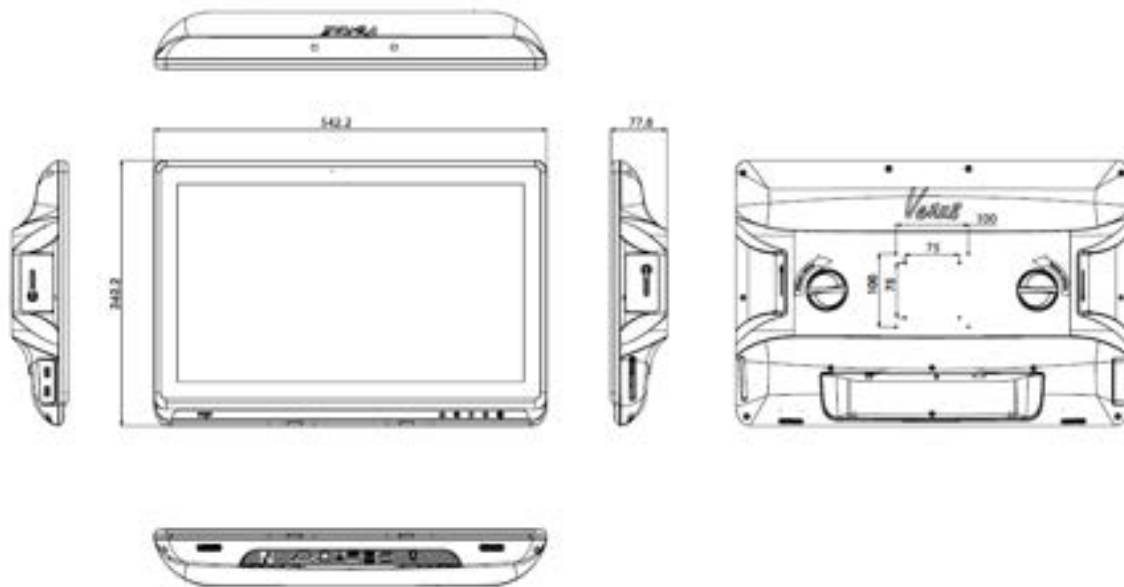
### MECHANICAL AND ENVIRONMENTAL

VESA	75/100 mm VESA mount
Operating Temperature	0°C ~ 40°C(32°F ~ 104°F)
Storage Temperature	-20°C ~ 60°C(-4°F ~ 140°F)
Storage Humidity	10%~95%@40°C, non-condensing
Degree of Protection	Front Panel: IP65 ; Rear: IPX1
Dimension	542(L) x 78(W) x 362(H) mm
Net Weight	7kg (15.4 lbs)
Packing Size	645(L) x 210(W) x 513(H) mm
Gross Weight	11kg (24.3 lbs)
Certifications	CE: EN 60601-1-2:2015(V4.0), EN 60601-1:2006/ A1:2013(V3.1) FCC: Part 18 Class B UL: ANSI/AAMI ES60601-1:2012 (V3.1) cUL: CAN/CSA-C22.2 No. 60601-1:2014 (V3.1)

ALL PRODUCT, PRODUCT SPECIFICATIONS AND DATA ARE SUBJECT TO CHANGE WITHOUT NOTICE TO IMPROVE RELIABILITY, FUNCTION OR DESIGN OR OTHERWISE.

## 21.5" Dual Hot Swappable Battery Medical Cart Computer

### Dimension / Unit: mm



### Ordering Information

- VENUS-223ST-A1-0002  
Cart Computer.i5 6300U.22".Fanless.PCT.SCR.TPM.XL Battery x2
- VENUS-223ET-A7-1010  
Cart Computer. i7. 22". Fanless. R-TS. 4GB RAM. SCR. TPM. XL . Battery x2

### Optional Accessories

- 1255301501  
Medical Adaptor. 100-240V/1.0-2.5A 24V/6.25A 150W
- OPM-S02R-A0  
RFID Reader Kit
- OPM-C15W-A8  
WLAN dual band module Kit.Intel 802.11a/b/g/n/ac+BT 5.
- UP-L62-A1-1010  
6-Slot Charger + 24V/250W adaptor
- UP-P22-A2-1010  
2-Slot Charger + 24V Medical adaptor
- OPM-V02C-04  
5MP Camera kit with Mic

Medical Cart Computer

# Venus-223-AMD

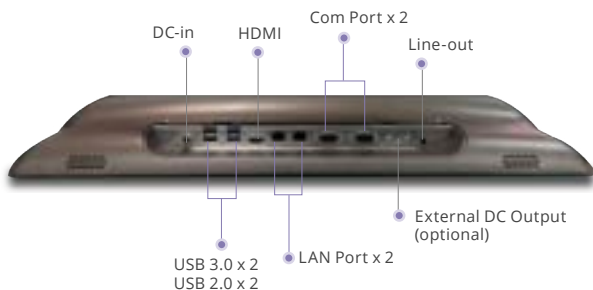
21.5" Dual Hot Swappable Battery Medical Cart Computer



Battery x 1      Battery x 1  
 USB 3.0 x 2      Smart Card Reader x 1



Battery x 1      Battery x 1  
 USB 3.0 x 2      Smart Card Reader x 1



## Features

- Medical grade certified (EN60601-1/UL60601-1)
- Cleanability with hospital solvents (front IP65/rear IPX1)
- Hot swappable design, support 24/7 run time
- AMD Ryzen™ V1202B / V1605B
- Support remote monitor/control/update (ORION compatible)
- Lightweight design
- Front reading light bar

## Specifications

### MAIN SPECIFICATIONS

Processor	AMD Ryzen™ V1202B / V1605B
System Memory	Up to DDR4 32GB
OS Support	Microsoft® Windows 10 pro (64bit) Microsoft® Windows 10 IOT Enterprise (64bit) Ubuntu 18.04 LTS
Storage	Up to 512 GB
Wireless Communication	802.11 ac/a/b/g/n + BT 4.0 (optional)
Touch	PCAP, R-TS(optional)
Speaker	2W x2
Security	TPM2.0 SmartCard Reader RFID ISO 15693 / 14443A (optional)

### DISPLAY

Display Size	21.5" VA panel
Resolution	1920 x 1080
Max. Colors	16.7M
Contrast Ratio	1000:1
Luminance (cd/m2)	250

### I/O

USB	Rear I/O : USB 3.0 x2, USB 2.0 x2 Side I/O : USB 3.0 x2
Video Out	HDMI
COM	COM port x2 (isolated optional)
Audio	Combo Audio port x1
Security	Kensington slot
Ethernet	1kv isolated Gigabit LAN x 2
DC-in	24V 2.5mm DC connector x1

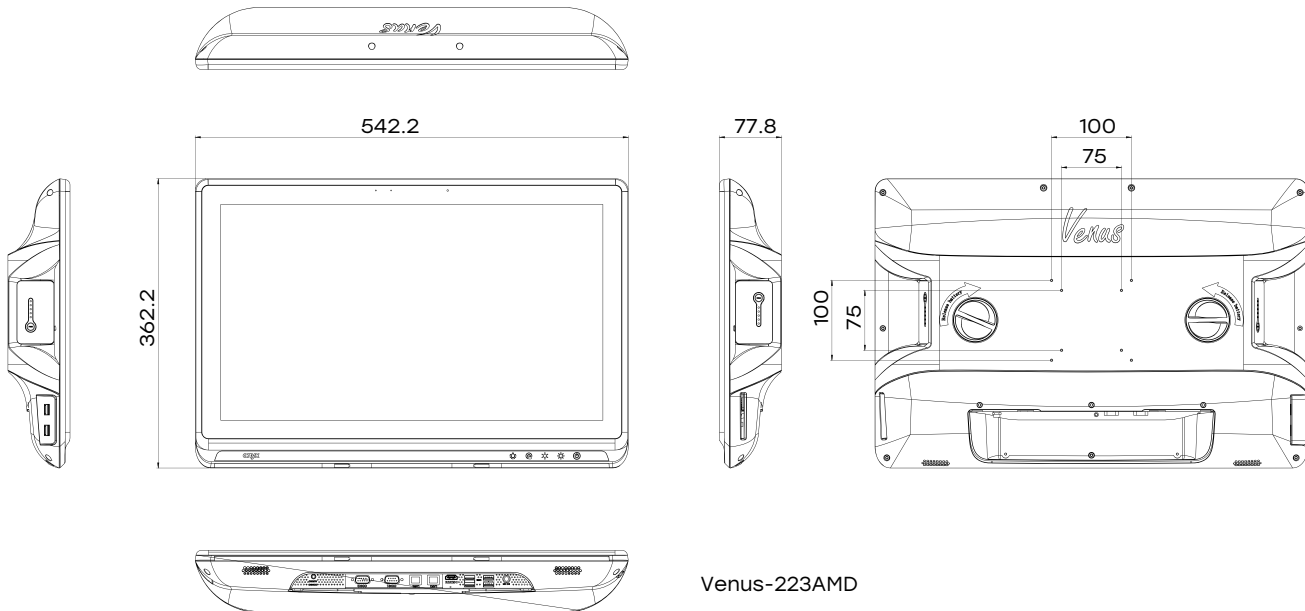
### MECHANICAL AND ENVIRONMENTAL

VESA	75/100 mm VESA mount
Operating Temperature	0°C ~ 40°C(32°F ~ 104°F)
Storage Temperature	-20°C ~ 60°C(-4°F ~ 140°F)
Storage Humidity	10%~95%@40°C, non-condensing
Degree of Protection	Front Panel: IP65 ; Rear: IPX1
Dimension	542(L) x 78(W) x 362(H) mm
Net Weight	7kg (15.4 lbs)
Packing Size	645(L) x 210(W) x 513(H) mm
Gross Weight	11kg (24.3 lbs)
Certifications	CE: EN 60601-1-2:2015(V4.0), EN 60601-1:2006/ A1:2013(V3.1) FCC: Part 18 Class B UL: ANSI/AAMI ES60601-1:2012 (V3.1) cUL: CAN/CSA-C22.2 No. 60601-1:2014 (V3.1)

ALL PRODUCT, PRODUCT SPECIFICATIONS AND DATA ARE SUBJECT TO CHANGE WITHOUT NOTICE TO IMPROVE RELIABILITY, FUNCTION OR DESIGN OR OTHERWISE.

## 21.5" Dual Hot Swappable Battery Medical Cart Computer

Dimension / Unit: mm



### Ordering Information

- VENUS-223-G12-A1-0402  
Cart Computer.AMD V1202B. 22".4G RAM.SCR.TPM.XL Battery x2

### Optional Accessories

- 1255301501  
Medical Adaptor. 100-240V/1.0-2.5A 24V/6.25A 150W
- OPM-S02R-A0  
RFID Reader Kit
- OPM-C15W-A8  
WLAN dual band module Kit . Intel 802.11a/b/g/n/ac +BT 5
- UP-L62-A1-1010  
6-Slot Charger + 24V/250W adaptor
- UP-P22-A2-1010  
2-Slot Charger + 24V Medical adaptor
- OPM-V02C-04  
5MP Camera kit with Mic

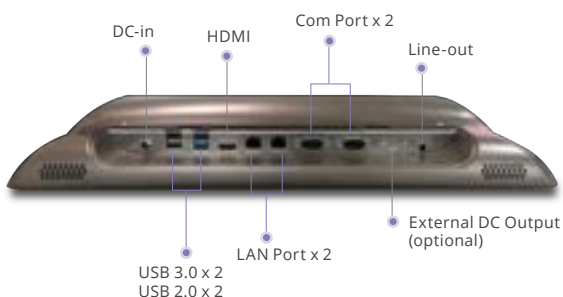


# Venus-193

19" Dual Hot Swappable Battery Medical Cart Computer



Battery x 1  
 USB 3.0 x 2  
 Smart Card Reader x 1



DC-in  
 HDMI  
 Com Port x 2  
 Line-out  
 USB 3.0 x 2  
 USB 2.0 x 2  
 LAN Port x 2  
 External DC Output (optional)

## Features

- Highest level of medical safety protection
- Cleanability with hospital solvents (front IP65)
- Hot swappable design, support 24/7 run time
- Intel® Skylake Dual-Core i5 / Celeron 3955U
- Support remote monitor/control/update (ORION compatible)
- Lightweight design
- Front reading light bar

## Specifications

### MAIN SPECIFICATIONS

Processor	Intel® Skylake Dual-Core i5 / i7 , Celeron 3955U
System Memory	DDR4 up to 32GB
OS Support	Microsoft® Windows 7 Microsoft® Windows 8.1 Microsoft® Windows 10 (64bit) Ubuntu 18.04 LTS IGEL (thin client solution)
Graphics	Intel® HD Graphics 520
Storage	SSD up to 512GB (optional)
Wireless Communication	802.11 ac/a/b/g/n + BT 4.0 (optional)
Touch	R-TS
Speaker	2W x2
Security	TPM 2.0 Smart Card Reader, RFID ISO 15693/14443A (optional)

### DISPLAY

Display Size	19" panel
Resolution	1280 x 1024
Max. Colors	16.7M
Contrast Ratio	1000:1
Luminance (cd/m2)	250

### I/O

USB	Rear I/O :USB 3.0 x2, USB 2.0 x2 Side I/O : USB 3.0 x2
Video Out	HDMI 1.4 x1
COM	COM port x2
Audio	Combo audio port x1
Ethernet	Gigabit LAN x2
DC-in	24V DC-in x1

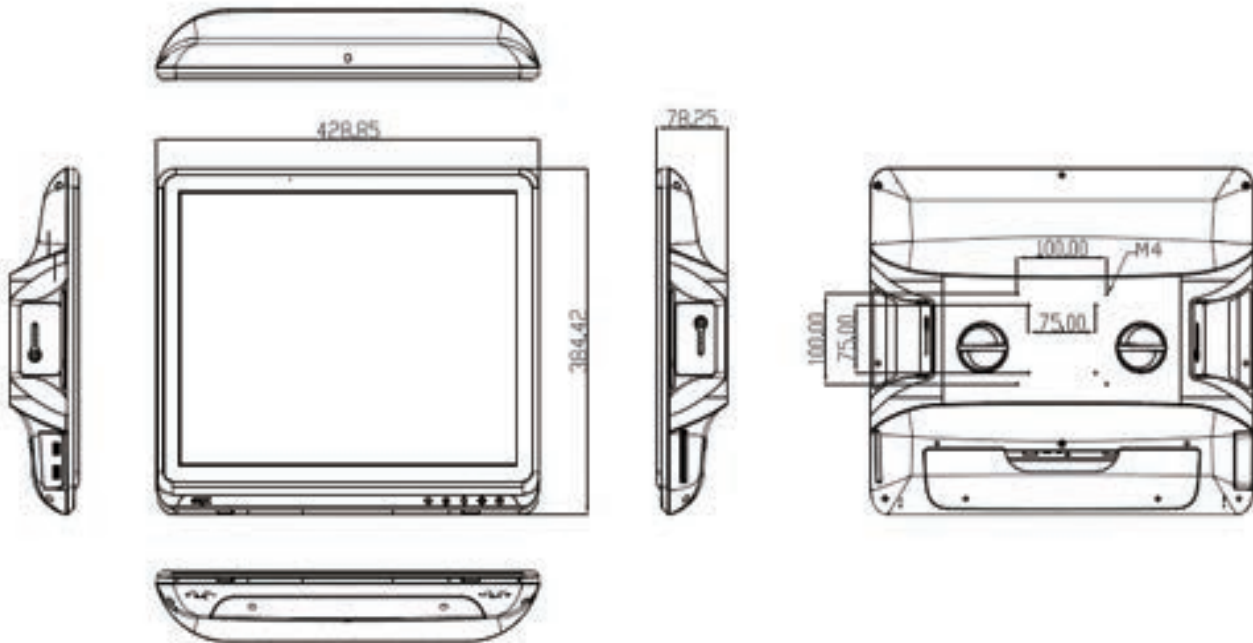
### MECHANICAL AND ENVIRONMENTAL

VESA	75/100 mm VESA mount
Operating Temperature	0°C ~ 35°C(32°F ~ 95°F)
Storage Temperature	-20°C ~ 60°C(-4°F ~ 140°F)
Storage Humidity	10%~95%@40°C, non-condensing
Degree of Protection	Front Panel: IP65 ; Rear: IPX1
Dimension	429(L) x 78(W) x 384(H) mm
Net Weight	5.5kg (12.13 lbs)
Packing Size	540(L) x 205(W) x 503(H) mm
Gross Weight	9kg (19.84 lbs)
Certifications	CE: EN 60601-1-2:2015(V4.0), EN 60601-1:2006/ A1:2013(V3.1) FCC: Part 18 Class B UL: ANSI/AAMI ES60601-1:2012 (V3.1) CUL: CAN/CSA-C22.2 No. 60601-1:2014 (V3.1)

ALL PRODUCT, PRODUCT SPECIFICATIONS AND DATA ARE SUBJECT TO CHANGE WITHOUT NOTICE TO IMPROVE RELIABILITY, FUNCTION OR DESIGN OR OTHERWISE.

## 19" Dual Hot Swappable Battery Medical Cart Computer

### Dimension / Unit: mm



### Ordering Information

- VENUS-193ET-A6-1010  
Cart Computer. i5. 19". Fanless. R-TS. 4GB .SCR. TPM. XL Battery x 2

### Optional Accessories

- 1255301501  
Medical Adaptor. 100-240V/1.0-2.5A 24V/6.25A 150W
- OPM-S02R-A2  
RFID Reader Kit
- OPM-C15W-A8  
WLAN dual band module Kit . Intel 802.11a/b/g/n/ac +BT 5
- UP-L62-A1-1010  
6-Slot Charger +24V/250W adaptor
- UP-P22-A2-1010  
2-Slot Charger + 24V Medical adaptor
- OPM-V02C-04  
5MP Camera kit with Mic

Medical Cart Computer

# 19"~24" Self-Power Cart Computer Accessory Selection

## OPM-P02T

2 XL Battery Li-ion 10.905V 8400mAh



## Specifications

### MAIN SPECIFICATIONS

Battery Type	3S3P / 9 Cell Li-ion battery
Battery Voltage	10.95V
Battery Capacity	8400mAh / 91.56Wh
Warranty	1 year
Certification	UL, CE, IEC-60950-1, IEC-62133-1

### MECHANICAL AND ENVIRONMENTAL

Dimension	122(L) x 79(W) x 50 (H) mm
Net Weight	504g /pcs
Operating Temperature	0°C ~ 40°C(32°F ~ 104°F)

### ORDERING INFORMATION

- 9789BAXL14  
2 XL Battery Kit. Li-ion 3S3P, 10.905V, 8400mAh. Volume Order

## OPM-P03T

2 XXL Battery Kit. Li-ion. 10.8V. 12060mAh



## Specifications

### MAIN SPECIFICATIONS

Battery Type	3S4P / 12 Cell Li-ion battery
Battery Voltage	10.8V
Battery Capacity	12060mAh / 130.2Wh
Warranty	2 year , 1000 cycle
Certification	UL, CE, IEC-60950-1, IEC-62133-1

### MECHANICAL AND ENVIRONMENTAL

Dimension	137(L) x 79(W) x 48 (H) mm
Net Weight	690g (1.52lbs)/pcs
Operating Temperature	0°C ~ 40°C(32°F ~ 104°F)

### ORDERING INFORMATION

- OPM-P03T  
2 XXL Battery Kit. Li-ion , 10.8V, 12060mAh. (via Ocean)

Medical Cart Computer

# 19"~24" Self-Power Cart Computer Accessory Selection

## UP-P22

2-slot battery charger



### Features

- Compatible with short battery and long battery (XL)
- Max 100W power output, mini-din 4pin x1LED
- 10W USB port x1 (power output only)
- Battery information monitor remotely (ORION)
- Support wall/cart mount. Fitting all environment
- LED indicator, clearly reveal recharge/discharge status

### Specifications

Battery Charge Time	3hrs for standard battery; 3.5hrs for XL battery
Input Power	24V Medical adaptor
Protection	Supports protection from over-voltage (input), over-current (input and output), short circuit, over-charge.
IO interface	Mini-din 4pin x1; USB Type A x1 (Power output only); USB micro-B x1(Data transport only); DC-in
Certification	CE: EN 60601-1-2:2015(V4.0), EN 60601-1:2006/A1:2013(V3.1) FCC: Part 18 Class B UL: ANSI/AAMI ES60601-1:2012 (V3.1) cUL: CAN/CSA-C22.2 No. 60601-1:2014 (V3.1)

#### MECHANICAL AND ENVIRONMENTAL

Color	White
Dimension	191(L) x 64(W) x 117(H) mm
Net Weight	0.67kg (1.47 lbs)
Packing Size	390(L) x 290(W) x 110(H) mm
Gross Weight	2kg (4.41 lbs)
Operating Temperature	0°C ~ 35°C(32°F ~ 95°F)
Storage Temperature	-20°C ~ 60°C(-4°F ~ 140°F)

### Ordering Information

- UP-P22-A2-1010  
2-slot charger. 24V medical adaptor

## OPM-P01C

6 -slot battery charger



### Features

- Battery information monitor remotely (ORION)
- Capable of charging 6 batteries simultaneously
- 6 Independent LED indicators, clearly reveal recharge status
- High-speed recharge and over charge protection

### Specifications

#### MAIN SPECIFICATIONS

Battery Charge Time	2.5 hrs for 85%, 3.5 hrs for 100%
Input Power	24V Medical adaptor
Protection	Supports protection from over-voltage (input), over-current (input and output), short circuit, over-charge.
IO interface	USB TypeA x 1(Data transport only), DC-in x 1
Certification	CE, FCC

#### MECHANICAL AND ENVIRONMENTAL

Color	White
Dimension	304(L) x 154(W) x 41(H) mm
Net Weight	1.16kg (2.56 lbs)
Packing Size	470(L) x 380(W) x 100(H) mm
Gross Weight	3kg (6.61 lbs)
Operating Temperature	0°C ~ 40°C(32°F ~ 104°F)
Storage Temperature	-20°C ~ 60°C(-4°F ~ 140°F)

### Ordering Information

- OPM-P01C-03  
6-slot charger. 24V/250W adaptor

※ All product specifications are subject to change without notice

# MEDICAL POWER PANEL PC

Onyx has developed an medical power panel PC that provides 24/7 non-stop service and offers true mobility. miniVenus features dual swappable batteries system and universal mounting slots. The battery system allow users to replace one of the batteries without turning the computer off .Also, the dual batteries design supply a very long running time and short charging time. Lightweight design provides high strength and great heat dissipation, and it has mounting slots that will fit any medical cart.



## Key Features

- ◆ Intel® Core™ processor
- ◆ Dual swappable batteries provide continuous power for 24/7 non-stop operation
- ◆ Highest level of medical safety protection, EMC4.0 / Safety3.1
- ◆ Fanless design, low risk of cross-infection
- ◆ ORION, Hospital IT Management Software Package
- ◆ Standard VESA 75/100 mount fits all medical carts



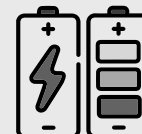
## INTEL® CORE™ PLATFORM FOR BETTER PERFORMANCE

MiniVenus offer high-performance Intel® Core™ U-series processor, which can meet most requirements of medical applications.



## SWAPPABLE BATTERY DESIGN

Dual swappable battery design with medical level high-capacity batteries can provide uninterrupted power for a long time.



## QUIET, CLEAN & EASY TO MAINTAIN

Medical Power Panel PCs utilize a fanless heatsink on the back cover to efficiently dissipate heat generated from processor and chipset. The fanless cooling design keeps the environment quiet, clean and lower maintenance efforts.



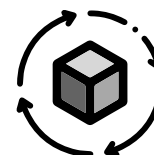
## TPM

A Trusted Platform Module increase privacy and security utilizing hardware-encryption with files to ensure sensitive information remains safe and secure.



## LONG-TERM PRODUCT LIFE SUPPORT

Onyx provides stable and long-term support to our customer. Customer could focus on business promotion and product development.

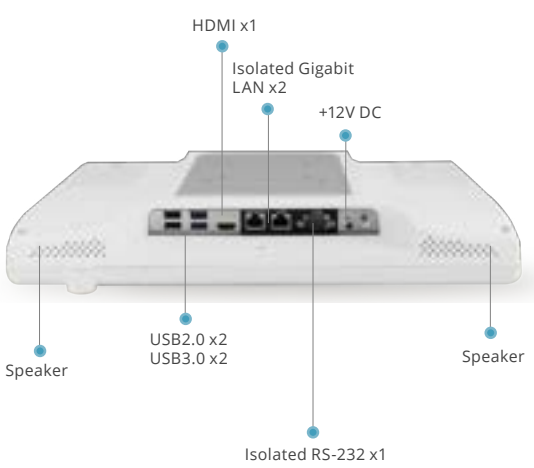




Medical Power Panel PC

# Venus-173

17" Intel i7/i5/i3 Medical Panel PC with Dual Battery



## Features

- Highest level of medical safety protection , EMC4.0/ Safety 3.1
- Cleanability with hospital solvents
- Hot swappable design, support 24/7 run time
- Intel® Skylake Dual-Core i5
- Support remote monitor/control/update (ORION compatible)
- isolated LAN / COM port

## Specifications

### MAIN SPECIFICATIONS

Processor	Intel® Skylake Dual-Core i5
System Memory	DDR4 up to 16GB
OS Support	Microsoft® Windows 7 (32bit/64bit) Microsoft® Windows 8.1 (64bit) Microsoft® Windows 10 (64bit) Ubuntu 18.04 LTS IGEL (thin client solution)
Graphics	Intel® HD Graphics 520
Storage	M.2 SSD up to 512GB (optional)
Wireless Communication	802.11 ac/a/b/g/n + BT 4.0 (optional)
Touch	R-TS
Speaker	3W x2
Security	TPM 2.0

### DISPLAY

Display Size	17"
Resolution	1280 x 1024
Max. Colors	16.7M
Contrast Ratio	1000:1
Luminance (cd/m2)	250

### I/O

USB	USB 3.0 x2, USB 2.0 x2
Video Out	HDMI 1.4 x1
COM	COM port x1
Ethernet	Gigabit LAN x 2
DC-in	12V DC-in x1

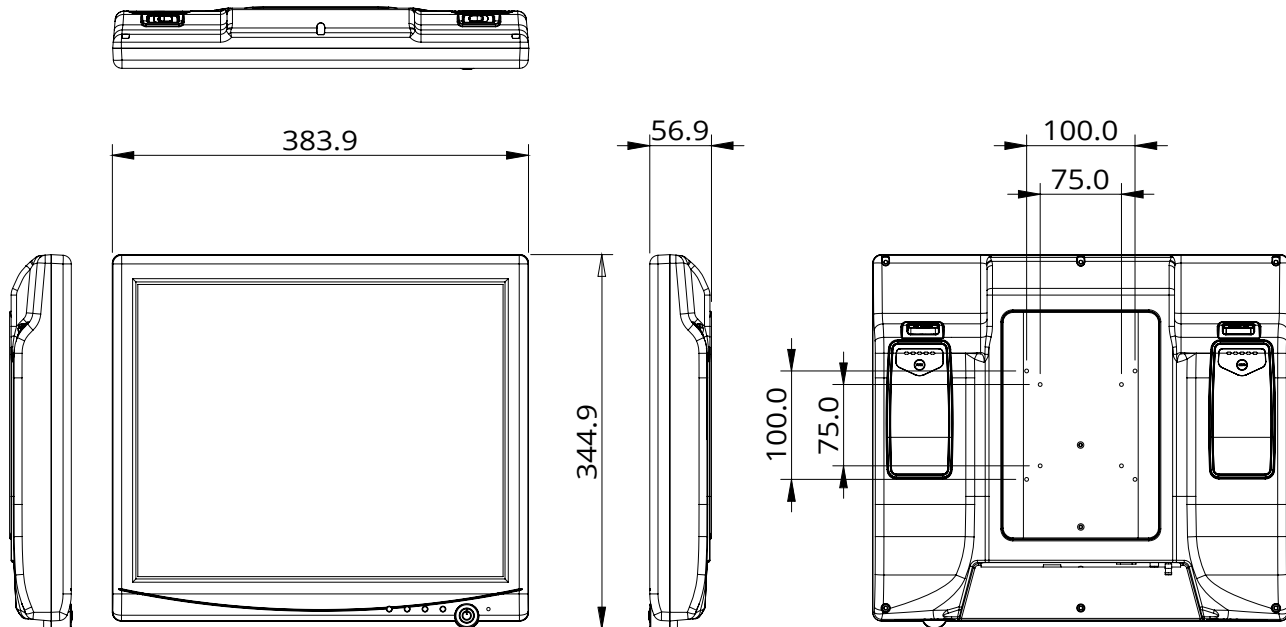
### MECHANICAL AND ENVIRONMENTAL

VESA	75/100 mm VESA mount
Operating Temperature	0°C ~ 35°C(32°F ~ 95°F)
Storage Temperature	-20°C ~ 60°C(-4°F ~ 140°F)
Storage Humidity	10%~95%@40°C, non-condensing
Degree of Protection	IPX1
Dimension	384(L) x 57(W) x 345(H) mm
Net Weight	4.5kg
Packing Size	510(L) x 200(W) x 480(H) mm
Gross Weight	5.6 Kg
Certifications	CE: EN 60601-1-2:2015(V4.0), EN 60601-1:2006/ A1:2013(V3.1) FCC: Part 18 Class B UL: ANSI/AAMI ES60601-1:2012 (V3.1) cUL: CAN/CSA-C22.2 No. 60601-1:2014 (V3.1)

ALL PRODUCT, PRODUCT SPECIFICATIONS AND DATA ARE SUBJECT TO CHANGE WITHOUT NOTICE TO IMPROVE RELIABILITY, FUNCTION OR DESIGN OR OTHERWISE.

## 17" Intel i7/i5/i3 Medical Panel PC with Dual Battery

### Dimension / Unit: mm



### Ordering Information

- VENUS-173-R63-A1-0001  
Mobile Computer , i5 6300U ,17" Fanless, R-TS . TPM . Battery x 2

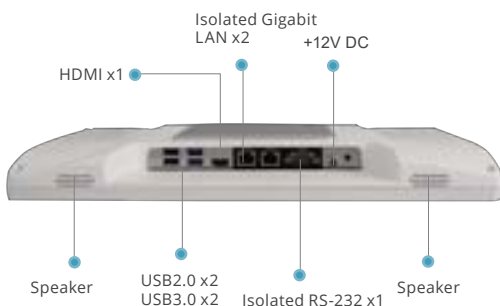
### Optional Accessories

- 1757306039  
Medical Adaptor , 12V/60W
- OPM-C15W-A5  
WLAN dual band module Kit.Intel 802.11a/b/g/n/ac+BT 5
- UP-M62-A1-1010  
6-Slot Charger + 24V / 120W adaptor

# Medical Power Panel PC

## Venus-153

15.6" Intel i7/i5/i3 Medical Panel PC with Dual Battery



### Features

- Highest level of medical safety protection , EMC4.0/ Safety 3.1
- Cleanability with hospital solvents
- Hot swappable design, support 24/7 run time
- Intel® Skylake Dual-Core i5
- Support remote monitor/control/update (ORION compatible)
- isolated LAN / COM port

### Specifications

#### MAIN SPECIFICATIONS

Processor	Intel® Skylake Dual-Core i5 / Celeron 3955U
System Memory	DDR4 up to 16GB
OS Support	Microsoft® Windows 7 Microsoft® Windows 8.1 Microsoft® Windows 10 Ubuntu 18.04 LTS IGEL (thin client solution)
Graphics	Intel® HD Graphics 520
Storage	M.2 SSD up to 512GB (optional)
Wireless Communication	802.11 ac/a/b/g/n + BT 4.0 (optional)
Touch	Project Capacitive Touch / Resistive Touch
Speaker	3W x2
Security	TPM 2.0

#### DISPLAY

Display Size	15.6"
Resolution	1920 x 1080
Max. Colors	262K
Contrast Ratio	500:1
Luminance (cd/m2)	220

#### I/O

USB	USB 3.0 x2, USB 2.0 x2
Video Out	HDMI x1
COM	COM port x1
Ethernet	Gigabit LAN x 2
DC-in	12V DC-in x1

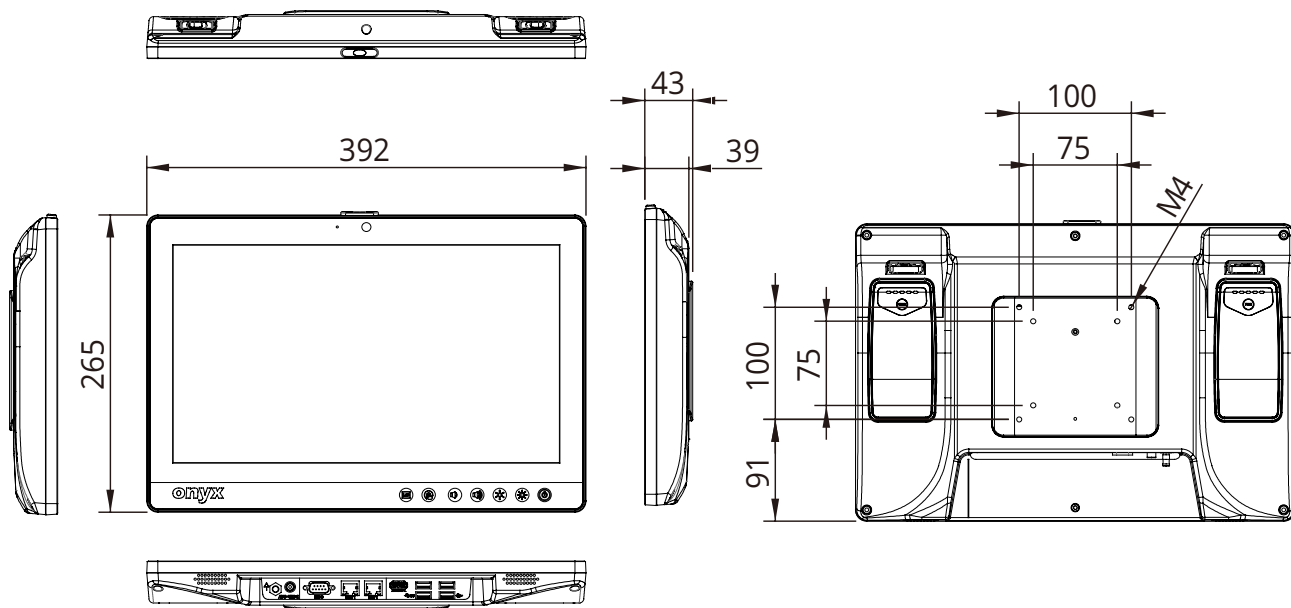
#### MECHANICAL AND ENVIRONMENTAL

VESA	75/100 mm VESA mount
Operating Temperature	0°C ~ 35°C(32°F ~ 95°F)
Storage Temperature	-20°C ~ 60°C(-4°F ~ 140°F)
Storage Humidity	10%~95%@40°C, non-condensing
Degree of Protection	Front Panel: IP65 ; Rear: IPX1
Dimension	392(L) x 43(W) x 265(H) mm
Net Weight	2.7kg
Packing Size	520(L) x 190(W) x 400(H) mm
Gross Weight	4.7 Kg
Certifications	CE: EN 60601-1-2:2015(V4.0), EN 60601-1:2006/ A1:2013(V3.1) FCC: Part 18 Class B UL: ANSI/AAMI ES60601-1:2012 (V3.1) cUL: CAN/CSA-C22.2 No. 60601-1:2014 (V3.1)

ALL PRODUCT, PRODUCT SPECIFICATIONS AND DATA ARE SUBJECT TO CHANGE WITHOUT NOTICE TO IMPROVE RELIABILITY, FUNCTION OR DESIGN OR OTHERWISE.

## 15.6" Intel i7/i5/i3 Medical Panel PC with Dual Battery

### Dimension / Unit: mm



### Ordering Information

- VENUS-153-R63-A1-0001  
Mobile Computer , i5 6300U ,15.6" Fanless, R-TS . TPM . Battery x 2
- VENUS-153-P39-A1-0001  
Mobile Computer ,Celeron 3955U ,15.6" Fanless, PCAP . TPM . Battery x 2

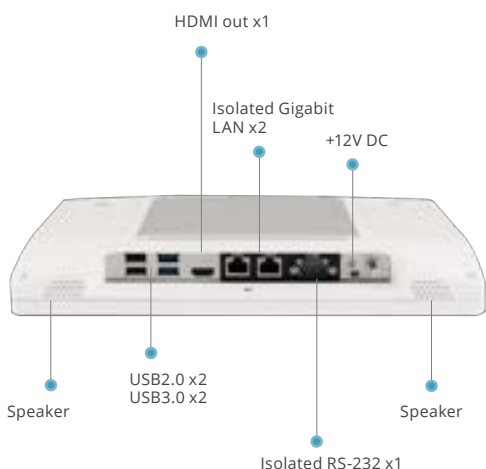
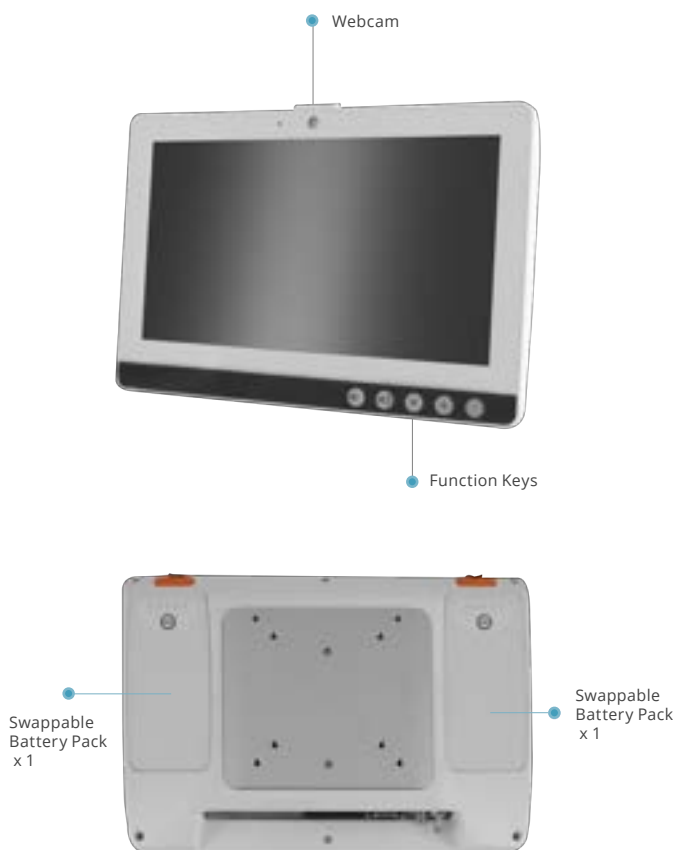
### Optional Accessories

- 1757306039  
Medical Adaptor , 12V/60W
- OPM-C15W-A5  
WLAN dual band module Kit.Intel 802.11a/b/g/n/ac+BT 5.
- UP-M62-A1-1010  
6-Slot Charger + 24V / 120W adaptor
- OPM-V02C-03  
5MP Camera kit with Mic

# Medical Power Panel PC

## Venus-123

11.6" Intel i7/i5/i3 Medical Panel PC with Dual Battery



### Features

- Highest level of medical safety protection , EMC4.0/ Safety 3.1
- Cleanability with hospital solvents
- Hot swappable design, support 24/7 run time
- Intel® Skylake Dual-Core i5
- Support remote monitor/control/update (ORION compatible)
- isolated LAN / COM port

### Specifications

#### MAIN SPECIFICATIONS

Processor	Intel® Skylake Dual-Core i5 / Celeron 3955U
System Memory	DDR4 up to 16GB
OS Support	Microsoft® Windows 7 Microsoft® Windows 8.1 Microsoft® Windows 10 Ubuntu 18.04 LTS IGEL (thin client solution)
Graphics	Intel® HD Graphics 520
Storage	M.2 SSD up to 512GB (optional)
Wireless Communication	802.11 ac/a/b/g/n + BT 4.0 (optional)
Touch	Project Capacitive Touch / Resistive Touch
Speaker	2W x2
Security	TPM 2.0

#### DISPLAY

Display Size	11.6"
Resolution	1366 x 768
Max. Colors	262K
Contrast Ratio	500:1
Luminance (cd/m2)	250

#### I/O

USB	USB 3.0 x2, USB 2.0 x2
Video Out	HDMI out x1
COM	COM port x1
Ethernet	Gigabit LAN x 2
DC-in	12V DC-in x1

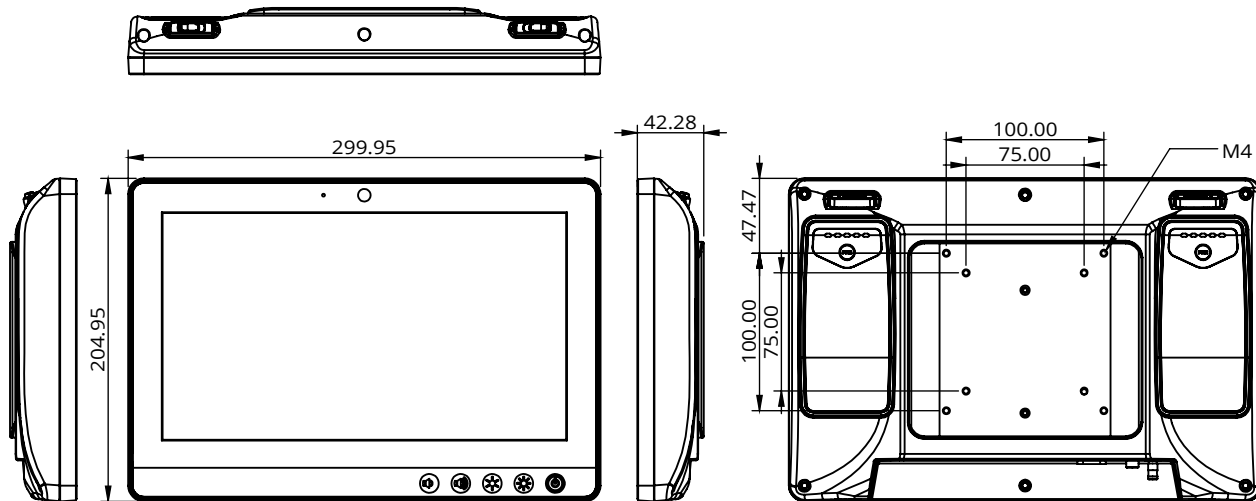
#### MECHANICAL AND ENVIRONMENTAL

VESA	75/100 mm VESA mount
Operating Temperature	0°C ~ 35°C(32°F ~ 95°F)
Storage Temperature	-20°C ~ 60°C(-4°F ~ 140°F)
Storage Humidity	10%~95%@40°C, non-condensing
Degree of Protection	Front Panel: IP65 ; Rear: IPX1
Dimension	300(L) x 43(W) x 205(H) mm
Net Weight	1.9kg
Packing Size	420(L) x 185(W) x 345(H) mm
Gross Weight	2.6 Kg
Certifications	CE: EN 60601-1-2:2015(V4.0), EN 60601-1:2006/ A1:2013(V3.1) FCC: Part 18 Class B UL: ANSI/AAMI ES60601-1:2012 (V3.1) cUL: CAN/CSA-C22.2 No. 60601-1:2014 (V3.1)

ALL PRODUCT, PRODUCT SPECIFICATIONS AND DATA ARE SUBJECT TO CHANGE WITHOUT NOTICE TO IMPROVE RELIABILITY, FUNCTION OR DESIGN OR OTHERWISE.

## 11.6" Intel i7/i5/i3 Medical Panel PC with Dual Battery

Dimension / Unit: mm



### Ordering Information

- VENUS-123-R63-A1-0001  
Mobile Computer , i5 6300U ,11.6" Fanless, R-TS . TPM . Battery x 2
- VENUS-123-P63-A1-0001  
Mobile Computer , i5 6300U ,11.6" Fanless, Pcap . TPM . Battery x 2
- VENUS-123-P39-A1-0001  
Mobile Computer ,3955U ,11.6" Fanless, Pcap . TPM . Battery x 2

### Optional Accessories

- 1757306039  
Medical Adaptor , 12V/60W
- OPM-C15W-A4  
WLAN dual band module Kit.Intel 802.11a/b/g/n/ac+BT 5.
- UP-M62-A1-1010  
6-Slot Charger + 24V / 120W adaptor
- OPM-V02C-02  
5MP Camera kit with Mic



Medical Power Panel PC

# 12" ~ 17" Mini Mobile Computer Accessory Selection

## OPM-P05T

Venus-123/153/173 Battery Packs (2x)



## Specifications

Battery Type	253P / 6 Cell Lithium-ion battery
Battery Voltage	7.2V
Battery Capacity	4545 mAh / 32.72Wh
Warranty	1 year
Certification	UL,CE,IEC-60950-1,IEC-62133-1

### MECHANICAL AND ENVIRONMENTAL

Color	White
Dimension	127(L) x 60(w) x 21(H) mm
Net Packing Size	199(L) x 175(w) x 42(H) mm
Weight	305g/pcs
Gross Weight	0.9kg(1.98 lbs)
Operating Temperature	0°C ~ 40°C(32°F ~ 104°F)
Storage Temperature	-20°C ~ 60°C(-4°F ~ 140°F)

## Ordering Information

- OPM-P05T-A4  
Battery Kits (2x) 253P/7.2V for Venus-123/153/173

## UP-M62

Venus-123/153/173 6-slots Charger



## Optional Accessories

Part Number	UP-M62
Description	Battery Charger
Input Power	24V
Installations	Stationary
IO	1x Micro USB (Client) 1x DC-In
LED Indicator	Flickering Blue: Battery Charging Steady Blue: Battery Fully Charged Flickering Purple Green: Error
Dimensions	245.95 x 124.64 x 143.65mm
Weight	860g
Operating Temperature	-0°C ~ 40°C(32°F ~ 104°F)
Storage Temperature	-20°C ~ 60°C(-4°F ~ 140°F)

## Ordering Information

- UP-M62-A1-1010  
6-slots Charger for Venus-123/153/173



# MEDICAL POWER BANK

The genius of the UPower system is in its unique, groundbreaking design. UPower gives you the capability of providing endless power with an innovative dual hot swappable battery architecture that ensures your device remains powered even while you are replacing a battery.

UPower Pro-22 include a voltage selection DC-output that allows users to select the desired voltage setting. Users can select from 12, 19, or 24 volts based on their additional power requirements.



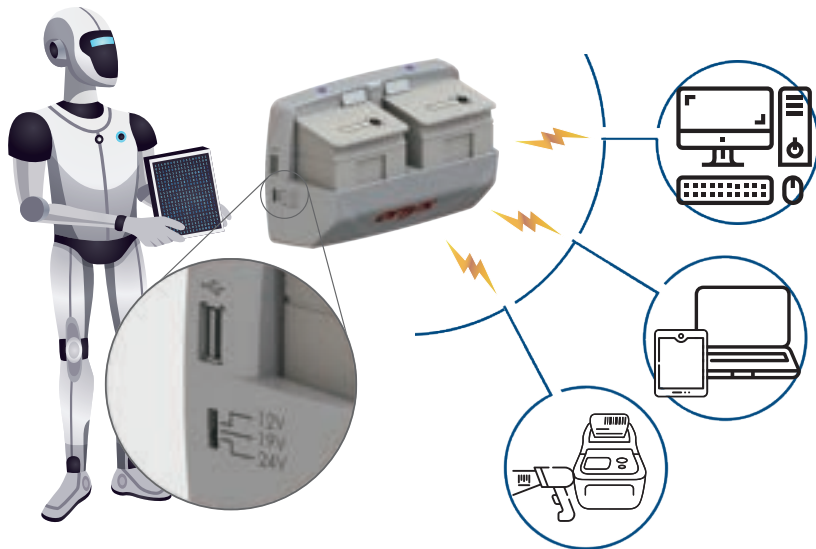
## Key Features

- ◆ External DC output (2/4 slot only)
- ◆ Selected voltage (2 slot: 12/19/24V ; 4 slot 12/15/19/24V)
- ◆ Non-stop, hot swappable batteries architecture
- ◆ Software (ORION) remote monitor
- ◆ Capable of charging 2/4 batteries simultaneously.
- ◆ 2/4 Independent LED indicators, clearly reveal recharge status
- ◆ High-speed recharge and over charge protection

# UPower

## SWAPPABLE BATTERIES

Our UPower give you the capability of providing endless power with its unique swappable battery architecture. You will never again be in danger of losing power when it is most critically needed.

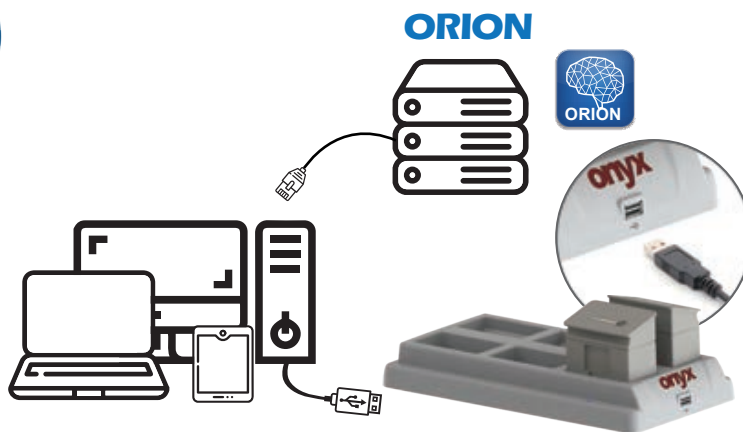


## USER SELECTED VOLTAGE

Since electronic devices operate with varying voltage requirements, we created a multi-voltage power bank that allows users to personally select the proper voltage setting. Users can select from 12, 19, or 24 volts based on their needs.

## ORION MANAGEMENT

These “smart” power banks can be managed with our new ORION device management software solution that intelligently monitors the status of all the batteries connected to the system.



## VITAL SIGN APPLICATION

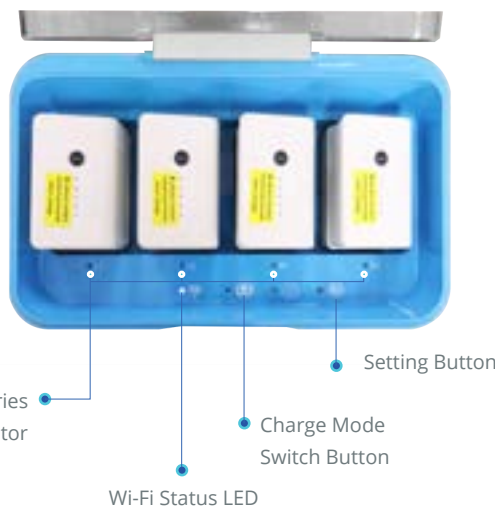
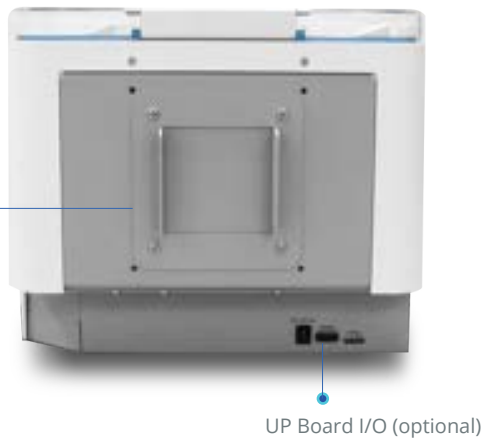
Hospital intensive care units (ICU) specialize in providing intensive care for patients suffering from severe injuries and life-threatening illness. Patients in intensive care units must be monitored constantly not only by highly trained hospital staff, but also with specialized medical equipment to make sure they remain in stable condition while recovering from serious medical emergencies, or surgery.

With UPower, battery powered medical devices will never again be in danger of losing power when it is most critically needed—and that’s a thought that doctors, patients, and all ICU staff can find reassuring and comforting.



# UPower Pro-43

4-Slot Hot Swappable Battery Medical Power Bank



## Features

- Compatible with onyx XL battery and XXL battery (not for STD battery)
- Two mode for user
  - Normal mode : max capacity – 90W/520Wh (with XXL battery)
  - Power mode : max output – 90W/260Wh + 65W/260Wh (with XXL battery)
- 3x DC output
- Selectable voltage for output 1/2 (12V / 15V / 19V / 24V)
- Built-in wifi chip for remote monitor directly
- LED indicator, clearly reveal recharge/discharge status

## Specifications

### MAIN SPECIFICATIONS

	UP-43P (Power Bank)	UP-43L (Charger only)
Output Voltage	DC out x3 Selectable voltage for output 1/2 12/15/19/24V (only one voltage at the same time for one port)	N/A
Output Capacity	Normal mode : share 90W with 2 port Power mode : 90W for ch1; 65W for ch2 Medical 45W AC output (optional)	N/A
Charge Time	6hrs for XL battery; 8hrs for XXL battery (no charge when power output)	Normal Charge: 8hrs for XL battery; 10hrs for XXL battery Fast Charge: 3.5hrs for XL
Function Key	Power Mode Button : Normal(max capacity) Power mode(max output) Charge Button : Power output charger	Fast Charge Button : normal charge fast charge
Extend Function	Adaptor holder (optional) Cart mount bracket (optional) UP board (optional) 45W Medical AC inverter (optional)	Adaptor holder (optional) Cart mount bracket (optional)
Safety	Supports protection from over-voltage (input), over-current (input and output), short circuit, over-charge.	
Certification	CE, FCC, IEC60601-1	

### MECHANICAL AND ENVIRONMENTAL

Architecture	ABS + PC
Color	White
Dimension	255(L) x 160(W) x 213(H) mm
Net Weight	1kg (1.47 lbs) (w/o battery)
Operating Temperature	0°C ~ 35°C(32°F ~ 95°F)
Storage Temperature	-20°C ~ 60°C(-4°F ~ 140°F)
Storage Humidity	10%~95%@35°C, non-condensing

### POWER SUPPLY SPECIFICATION

Input Voltage	100-240V AC @50-60 Hz
Output Power	24V / 250W max

## Ordering Information

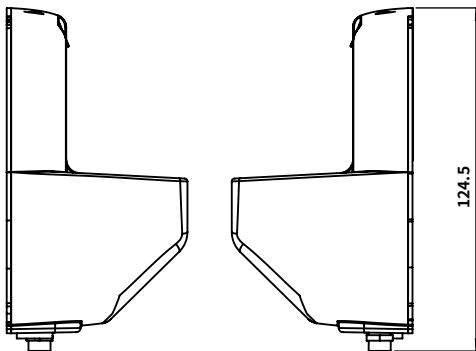
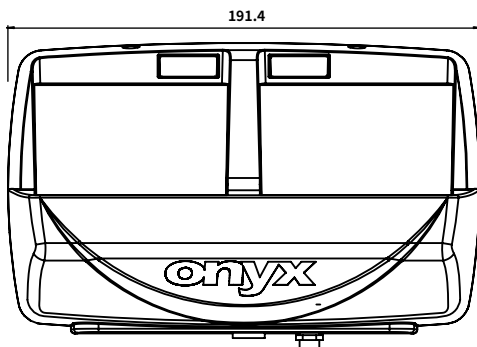
- **UP-43P-A1-1010 (Power Bank)**  
4-slot Power Bank.12/15/19/24V DC output.24V/250W
- **UP-43L-A1-1010 (Charger only)**  
4-slot Charger.24V/250W adaptor
- **9789BAXL14**  
8400mAh/10.9V battery x2
- **OPM-P03T-03**  
12060mAh/10.8V battery x2



Medical Power Bank

# UPower Pro-22

2-Slot Swappable Battery



## Features

- Compatible with std battery , XL battery and XXL battery
- Max 90W power output, mini-din 4pin x1
- 10W USB port x1 (power output only)
- Selected voltage (12V / 19V / 24V)
- Non-stop, swappable batteries architecture
- Battery information monitor remotely (ORION)
- Support wall/cart mount. Fitting all environment
- LED indicator, clearly reveal recharge/discharge status

## Specifications

### MAIN SPECIFICATIONS

Output Voltage	12/19/24V (can be selected only one voltage)
Output Capacity	90W mini-din 4pin x1; 10W USB Type A x1 (power output only) *check user manual for more detail info
Battery Charge Time	3hrs for standard battery; 3.5hrs for XL battery; 4.5hrs for XXL battery
Input Power	24V Medical adaptor
Protection	Supports protection from over-voltage (input), over-current (input and output), short circuit, over-charge.
IO interface	Mini-din 4pin x1; USB Type A x1 (Power output only); USB micro-B x1(Data transport only); DC-in
Certification	CE: EN 60601-1-2:2015(V4.0), EN 60601-1:2006/A1:2013(V3.1) FCC: Part 18 Class B UL: ANSI/AAMI ES60601-1:2012 (V3.1) cUL: CAN/CSA-C22.2 No. 60601-1:2014 (V3.1)

### MECHANICAL AND ENVIRONMENTAL

Architecture	ABS + PC
Color	White
Dimension	191(L) x 64(W) x 117(H) mm
Net Weight	0.67kg (1.47 lbs)
Packing Size	390(L) x 290(W) x 110(H) mm
Gross Weight	2kg (4.41 lbs)
Operating Temperature	0°C ~ 35°C(32°F ~ 95°F)
Storage Temperature	-20°C ~ 60°C(-4°F ~ 140°F)
Storage Humidity	10%~95%@35°C, non-condensing

### BATTERY LED INDICATOR

Blue Lighting	Full Charge (AC mode)
Blue Flashing	Charging (AC mode)
Green Lighting	Capacity 16%~100% (Battery mode)
Orange Lighting	Capacity 8%~15% (Battery mode)
Purple Lighting	Capacity 0%~7% (Battery mode)
Green-Purple Flashing	Charging error

### POWER SUPPLY SPECIFICATION

Input Voltage	100-240V AC @50-60 Hz
Output Power	24V / 6.25A

### BATTERY PACK (OPTIONAL)

Battery Type	6 / 9 / 12 Cell Lithium-ion battery
Battery Capacity	5700 / 8550 / 12060 mAh
Output Voltage	10.8 / 10.95 / 10.8 V

## Ordering Information

- UP-P22-A3-1010  
2-slot Charger with DC output + 24V adaptor



Medical Power Bank  
**OPM-P02T**

Li-ion 3S3P Battrey Pack 10.9V 8400mAh



### Features

- Compatible with all Venus-series and all UPower-series
- X1.5 battery capacity increase
- Supports remote management software (ORION)
- Battery capacity indicator button
- Medical grade certified (with Venus)
- Lightweight design

### Specifications

#### MAIN SPECIFICATIONS

Battery Type	3S3P / 9 Cell Li-ion battery
Battery Voltage	10.9V
Battery Capacity	8400mAh
Warranty	1 year
Charging time	3hrs for 90% ; 3.5hrs for 100% ( with UPower Pro-series)
Safety	Supports protection from over-voltage (input and output), over-current (input and output), short circuit, over-charge, over-discharge, and battery Positive Temperature Coefficient(PTC)
Compatible	Venus all series, UPower all series
Certification	UL, CE, IEC-60950-1, IEC-62133-1

#### MECHANICAL AND ENVIRONMENTAL

Architecture	ABS + PC
Color	White
Dimension	122(L) x 79(W) x 50 (H) mm
Net Weight	0.5kg (1.10 lbs)
Packing Size	220(L) x 180(W) x 80(H) mm
Gross Weight	1.3kg (2.87 lbs)

### Ordering Information

- 9789BAXL14  
 2XL Battery Kit. Li-ion 3S3P, 10.9V, 8400mAh. Volume Order (via Ocean)

Medical Power Bank

# OPM-P03T

Li-ion 3S4P battery pack. 10.8V. 12060mAh



## Features

- 2 Years 1000 cycle warranty
- 130Wh battery capacity
- Smart LED: battery status indicator for end user
- Compatible with all Venus and UPower series

## Specifications

### MAIN SPECIFICATIONS

Battery Type	3S4P / 12 Cell Li-ion battery
Battery Voltage	10.8V
Battery Capacity	12060mAh
Warranty	2 year , 1000 cycle
Charging time	4.5hrs with UPower Pro-series
Safety	Supports protection from over-voltage (input and output), over-current (input and output), short circuit, over-charge, over-discharge, and battery Positive Temperature Coefficient(PTC)
Compatible	Venus all series, UPower all series
Certification	UL, CE, IEC-60950-1, IEC-62133-1

### MECHANICAL AND ENVIRONMENTAL

Color	White
Dimension	137(L) x 79(W) x 48 (H) mm
Net Weight	0.7kg (1.54lbs)/pcs
Packing Size	234(L) x 180(W) x 76(H) mm
Gross Weight	1.7kg (3.75 lbs)
Operating Temperature	0°C ~ 35°C(32°F ~ 95°F)
Storage Temperature	-20°C ~ 60°C(-4°F ~ 140°F)
Storage Humidity	10%~95%@35°C, non-condensing

## Ordering Infomation

Please access to our Webshop for more detail  
<http://webshop-onyxhealthcare.com>

# ORION-BATTERY MANAGEMENT SYSTEM

ORION is a complete software solution that controls every part of your Onyx device infrastructure from the server, to the software manager and client devices. This system works the same way as the email servers we use every day to communicate. Each ORION system has a single server that connects to nursing carts (clients) that push their information to the server (similar to sending an email). The software manager collects information on the server received from the nursing carts to perform further analysis like battery cycle count or capacity attenuation.



## Key Features

- ◆ Everything Remotely
- ◆ Break Up the Whole Into Parts
- ◆ To Improve the Quality



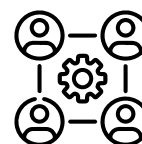
### BATTERY DIAGNOSTICS

With potentially thousands of batteries in use in a single hospital, ORION can monitor them all with diagnostic tools that alert users of any battery-related errors.



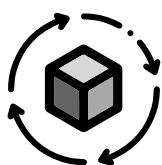
### REAL-TIME REMOTE MONITORING

Real-time remote monitoring provides quick data feedback to help IT managers diagnose and fix system problems.



### GROUP SETTINGS

Device settings can be managed and saved by groups so that each department in a facility can have custom-managed devices.



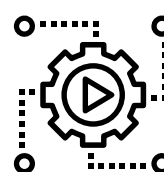
### REMOTE UPDATE / INSTALLATION

System software / firmware installation and updates can also be performed remotely saving valuable time and resources.



### USER-FRIENDLY INTERFACE

ORION's user-friendly graphical interface conveniently organizes important data in a way that lets you quickly and easily review systemwide performance.



### AUTOMATED TASK SCHEDULING

With automated task scheduling, ORION takes care of less important repetitive tasks so you can focus on more important priorities.



### CUSTOMIZABLE DASHBOARD

All IT managers have their own preferences for how to perform their duties. ORION's customizable dashboard gives IT managers the freedom to set operational parameters to their own liking to maximize efficiency.

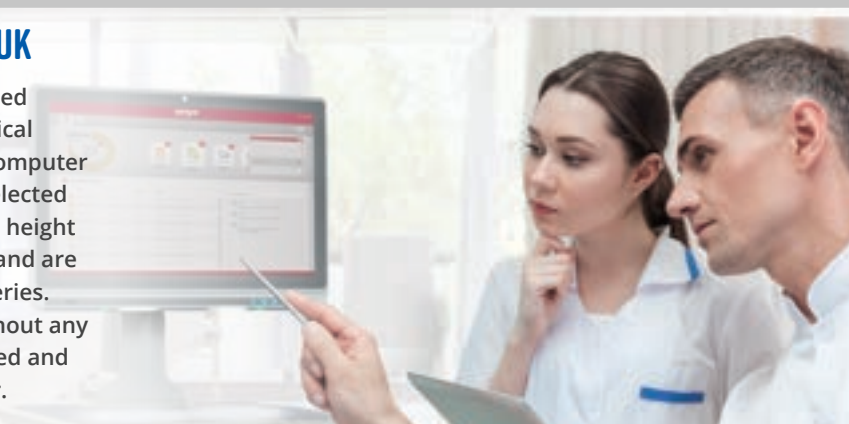


### E-MAIL REPORTING

ORION includes an integrated e-mail client for regularly scheduled event reporting.

## SUCCESSFUL STORY - NHS IN UK

The Trust went live with their EPR called e-Care on 30th April 2016. Parity Medical were the chosen supplier of mobile computer carts. The Parity Infinity carts were selected after trialling as they are light weight, height adjustable, ergonomic, easy to clean and are powered 24/7 by hot swappable batteries. It was a big project that went live without any hiccups. Phase 2 has now been enabled and will be phased in throughout the year.





## ORION Remote

Hospital IT Management Software Package

### MAIN SPECIFICATIONS

Component	ORION Server + ORION Manager + ORION Clients
Description	To get the permission to manage ORION Client remotely

### CORE FUNCTION

Battery Diagnostics	✓
Friendly UI	✓
Remote Backup/Recovery	✓
Remote Update/Installation	✓
E-Mail Reporting	✓
Automated Task Scheduling	✓
Group Settings	✓
Real-time Remote Monitoring	✓
Customizable Dashboard	✓

### ORDERING INFORMATION

ORION-A01-V2	ORION Air permission (per client)
--------------	-----------------------------------

### HARDWARE REQUIREMENT ORION SERVER

CPU	1.6GHz or faster
RAM	1GB
Storage	20MB per client for one month record 10G for 500 clients for one month record

### ORION MANAGER

CPU	1.6GHz or faster
RAM	1GB
Display	DirectX 9-capable video card running at 1024 x 768 or higher display resolution
OS	Windows 7, Windows 8.1, Windows 10
Other	Net Framework 4.0 above





# MOBILE MEDICAL TABLET

Onyx Mobile Medical Assistant tablets are especially designed to streamline data exchange for EMS and hospitals. With rugged features, high brightness LCD and high performance CPU, these tablets can be operated in harsh environments while delivering superb performance and a crystal clear image.

Onyx Mobile Medical Assistant tablets help eliminate medical paperwork by automating EMS and hospital workflows allowing paramedics and nurses to instantly access and document patient records.



## Key Features

- ◆ Effortless data collection and documentation with significant error reduction
- ◆ Seamless integration of medical devices
- ◆ Medical & ambulance dual certifications
- ◆ Continuous power for 24/7 non-stop operation
- ◆ Rugged design for outdoor and indoor use
- ◆ Reduce hospital and ambulance service TOC

## LIGHT WEIGHT & COMPACT SIZE

The weight of MD101 is less than 1kg, and the compact size design let user can easy to carry the device to anywhere they want.



## 10 POINTS PCT TOUCH SCREEN

Multi-touch has been implemented in several different ways. MD series provides 10 points touch functions to the user to do any control missions.



## WINDOWS OS SUPPORT

MD series is supported by Windows OS which has good compatibility to the other medical device. The same windows user interface let user can easy to make use of the device.



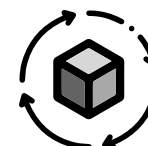
## WI-FI AND BLUETOOTH 5.0 SUPPORT

MD series has designed Wi-Fi 802.11b/g/n/AC and 2.4GHz/ BT 5.0 inside. It help user easy to receive and deliver the medical data to other devices.



## LONG TERM PRODUCT LIFE TIME SUPPORT

ONYX provides stable and long term support to our customers. Customers could focus on business promotion and product development.



# Mobile Medical Tablet

## MD116E

### 12" Fanless Intel Pentium Medical Tablet



## Features

- Intel® ELKhart Lake Pentium N6415
- Dual hot-swappable batteries for 24/7 operation
- Dual smart card readers for multiple-care workflow
- Standard USB Type-A / Type-C & RJ45 for easy connection to medical devices
- IP54 certified & 3 feet drop resistant
- ORION client compatible
- Instant vehicle docking system
- Automotive Directive and EN1789 compliance for ambulances/medical transportation vehicles

## Specifications

### MAIN SPECIFICATIONS

Processor	Intel® ELKhart Lake Pentium N6415 3.0 GHZ
System Memory	DDR4 SO-DIMM x1, Default 4 GB (Up to 16 GB)
OS Support	Microsoft® Windows 10, Windows 11 IOT / Linux ubuntu 20.04 LTS
Storage	M.2 Interface x1, Default 64 GB (up to 1TB)
Wireless Communication	802.11 a/b/g/n /AC/AX + BT5.2 (Optional)
Camera	2 MP (Front) / 8 MP (Rear) (optional)
Touchscreen	Projected Capacitive Touchscreen,w/Gorilla Glass
Digital Accelerometer	ADI ADXL345
Ambient Light Sensor	TAOS TSL2581
LTE+GPS	Sierra EM7421 x 2 (Optional)
Function Keys	x2
LED Indicators	x2
Speaker	2W x2
Internal Mic	x1
Power Requirement	DC 12V
Security	Smart Card Reader x2 , RFID x1 (optional)

### DISPLAY

Display Size	11.6" 16:9 Widescreen LED Panel
Resolution	FHD 1920 x 1080
Max. Colors	16.7M
Contrast Ratio	800:1
Luminance (cd/m2)	300nits , 600nits

### I/O

USB	USB 3.0 (Type-A) x1, USB 3.0 (Type-C) x1
Ethernet	Gigabit LAN x1
DC-In	DC-in Jack x1
Docking	Docking Connector x1

### BATTERY PACK

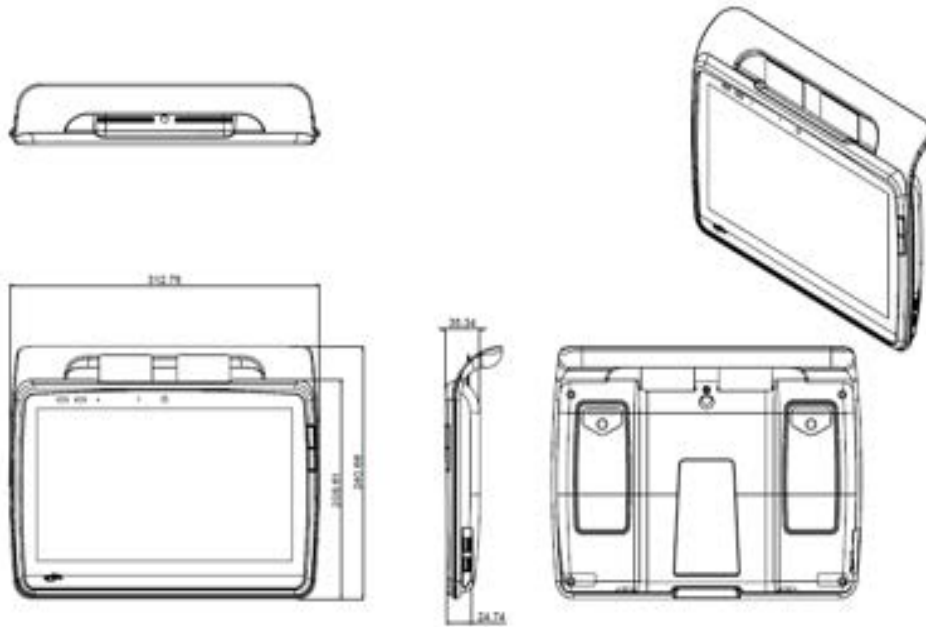
Battery Type	Li-ion
Battery Capacity	4545 mAh (32.72Wh) x2
Battery Run Time	Approx. 8 hrs

### MECHANICAL AND ENVIRONMENTAL

VESA	VESA 75 via docking station
Degree of Protection	IP54
Operating Temperature	0° C ~ 40° C (32° F ~104° F)
Storage Temperature	-20° C ~ 60° C (-4° F ~ 140° F)
Storage Humidity	10%~95%@40°C, non-condensing
Dimensions	312 (W) x 239 (H) x 37 (D) mm
Packing Size	400 x 345 x160 mm
Gross Weight	3 kg (6.6 lb)
Net Weight	Approx. 1.45~1.8 kg (3.2 lb~3.97 lb)
Certifications	CE: EN 60601-1-2:2015(V4.0), EN 60601-1:2006/A1:2013(V3.1), EN 300 328 (V2.1.1), EN 301 893 (V2.1.1) FCC: Part 18 Class B, Part 15 C/E UL: ANSI/AAMI ES60601-1:2012 (V3.1) cUL: CAN/CSA-C22.2 No. 60601-1:2014 (V3.1)

## 12" Fanless Intel Pentium Medical Tablet

## Dimensions / Unit: mm



## Ordering Information

- ONYX-MD116E-P1-A1-0001  
Tablet.N6415.11.6".FHD.300nits.C-TS(G).SCR.F/R-Camera.RFID.WiFi/BT.Battery(x2)
- ONYX-MD116E-P1-A1-0002  
Tablet.N6415.11.6".FHD.600nits.C-TS(G).SCR.F/R-Camera.RFID.WiFi/BT.Battery(x2)

## Optional Accessories

- 125530120D  
Medical Adaptor.AC/DC.100-240V.12V/ 10A,120W.



# Mobile Medical Tablet

## MD101

10.1" Rugged Medical Tablet



### Features

- Intel® Cherry Trail processor
- Slim & lightweight design for clinical mobility
- Long battery life for intensive care services
- Standard USB Type-A for easy connection to medical devices
- IP54 certified & 1.5 Meter drop resistant
- ORION client compatible
- VESA mounting via adapter
- EN60601-1 Certified
- Ergonomic design adapted for portable and cart use
- Windows 10 / Android 6.0

### Specifications

#### MAIN SPECIFICATIONS

Processor	Intel® Cherry Trail QC Processor Z8350 1.44 GHz	
System Memory	4 GB	
OS Support	Microsoft® Windows 10 IOT LTSB 2019	Android 6.0
Storage	eMMC 128 GB	
Wireless Communication	802.11 a/b/g/n/ac +BT 5.0	
Camera	2 MP (Front) / 8 MP (Rear)	
Touchscreen	Projected Capacitive Touchscreen , w/Gorilla Glass	
Accelerometer Sensor	ST LIS2DW12	
Ambient Light Sensor	Capella CM32181E	
Power Button	x1	
Volume Keys	x2	
Speakers	2 W x2 SPL 98±3dB	
Internal Mic	x1	
Alarm Light	x1 (Optional)	
Power Requirement	DC 15 V	

#### DISPLAY

Display Size	10.1" 16:10 Wide Screen LED Panel
Resolution	1920 x 1200
Max. Colors	16.7 M
Contrast Ratio	800:1
Luminance (cd/m2)	380 nits

#### I/O

USB	USB 3.0 (Type-A) x1
Audio Out / Mic In	3.5 mm Combo Audio Jack x1
Video Out	Micro HDMI x1
DC-In	x1

#### BATTERY PACK

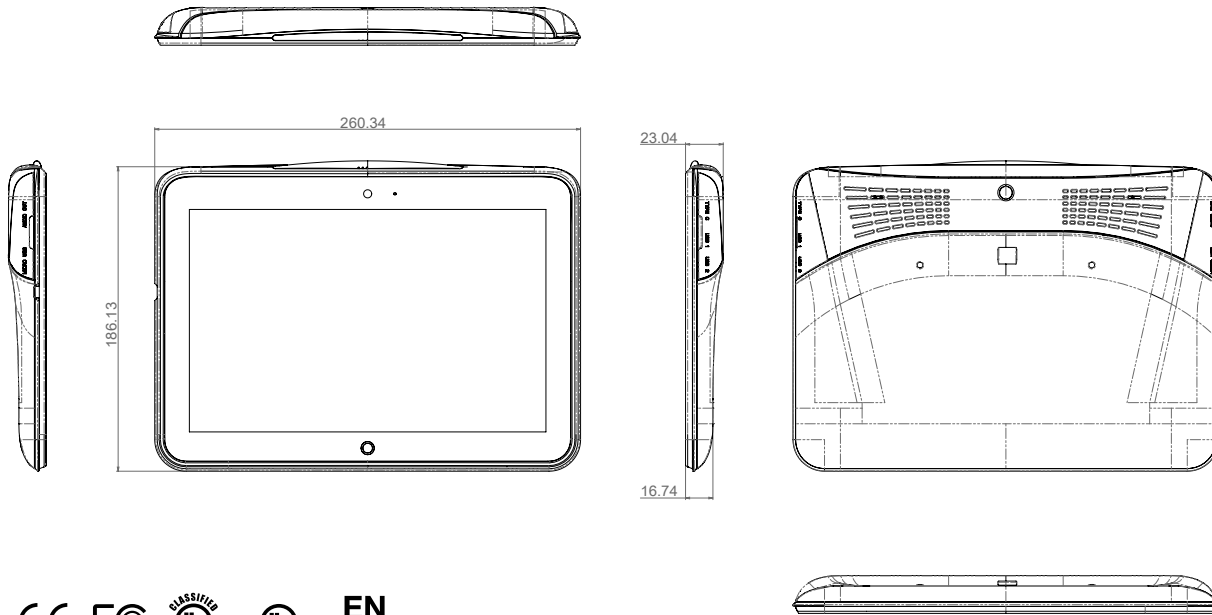
Battery Type	Li-ion
Battery Capacity	4530 mAh (48.9 Wh)
Battery Run Time	Approx. 8 hrs

#### MECHANICAL AND ENVIRONMENTAL

VESA	VESA 75 via cradle
Degree of Protection	IP54
Operating Temperature	0° C ~ 40° C (32° F ~ 104° F)
Storage Temperature	-20° C ~ 60° C (-4° F ~ 140° F)
Storage Humidity	10%~95%@40°C, non-condensing
Dimension	260 (W) x 186 (H) x 23 (D) mm
Packing Size	310 x 220 x 110 mm
Gross Weight	2 kg (4.4 lb)
Net Weight	Approx. 1 kg (2.2 lb)
Certifications	CE: EN 60601-1-2:2015(V4.0), EN 60601-1:2006/A1:2013(V3.1) EN 300 328(V2.1.1), EN 301 893 (V2.1.1) FCC: Part 18 Class B, Part 15 C/E

## 10.1" Rugged Medical Tablet

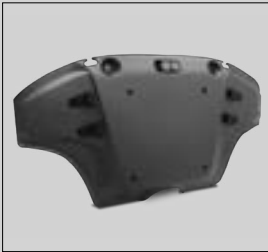
## Dimensions / Unit: mm



## Ordering Information

- ONYX-MD101ST-A2-2010  
Tablet.Z8350.10.1" FHD.C-TS(G).4GB RAM.128GB eMMC.F/R-Camera.HDMI-Out.WiFi/BT.AL without OS.
- ONYX-MD101ST-A2-2011 (optional)  
Tablet.Z8350.10.1" FHD.C-TS(G).4GB RAM.128GB eMMC.F/R-Camera.HDMI-Out.WiFi/BT.Android 6.x without:Audio Jack.

## VESA Cradle



- Cradle for MD101  
PN:OPM-T019-A1

## Optional Accessories

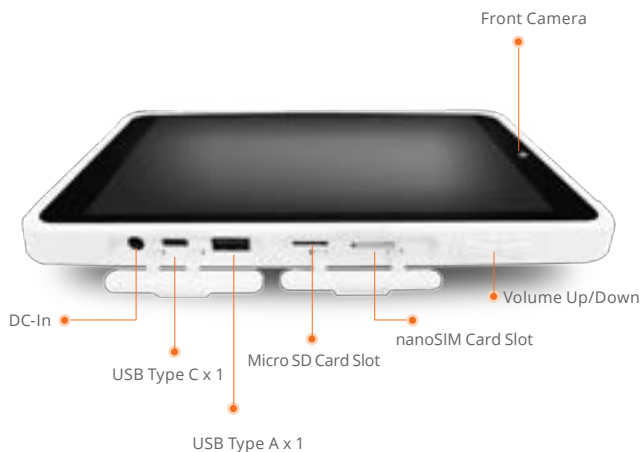
- 1255300369  
Medical Power Adaptor.100 ~ 240V.15V.2.4A.36W.



Mobile Medical Tablet

# MPAD-800 A1

8" Medical Tablet



## Features

- ARM® Cortex® Quad-Core up to 1.8 GHz
- Android 10
- Water/Drop Proof & Fanless Operation
- Built-in Type A USB Port and Type C USB Port
- Built-in Cellular Communication
- Shift Ready Battery Life
- Medical Grade Device Safety

## Specifications

### MAIN SPECIFICATIONS

Processor	ARM® Cortex® Quad-Core up to 1.8 GHz
System Memory	2GB SDRAM
OS Support	Android 10
LCD Touch Display	8" (1280 x 800) TFT LCD with 2-point P-cap (Latex Glove Operable)
Communication	WiFi a/b/g/n/ac + Bluetooth 4.0
I/O Port	USB Type C x 1 or Micro USB x1, USB Type A x 1, Volume Up/Down, 3.5mm Stereo Headphone Jack x1, DC-In Jack x 1 or USB Type C Charging x1 or Pogo pin Charging, Built-In Speaker & Microphone, nanoSIM Card Slot, Micro SD Card Slot
Storage	16 GB eMMC Flash
Camera	Front 8MP, Rear 8MP with Flash LED
Sensor	Built-in Light Sensor, Built-in G-Sensor, Built-in Vibration Motor

### MECHANICAL AND ENVIRONMENTAL

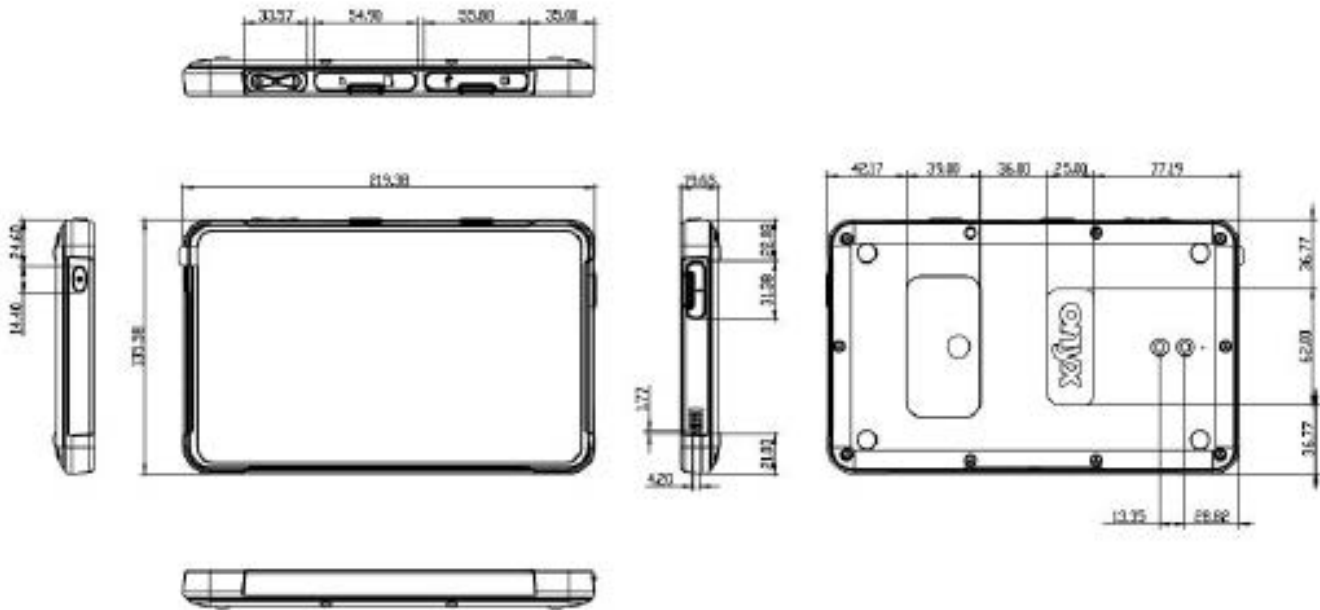
Color	White
Dimension(W x H x D)	136.6 x 219 x 21 mm
Packing Size	280 x 250 x 80 mm
Gross Weight	1.8kg (3.96 lb)
Net Weight	0.67 Kg (1.48lb)
Operating Temperature	0°C ~ 40°C
Storage Temperature	-20°C ~ 60°C
Operating Humidity	10 ~ 75%
Water / Drop Proof	IP54 / 76cm
Medical Certification	CE/FCC Class B, UL60950, UL/EN60601-1

### POWER SUPPLY

AC/DC Adapter	AC Power Input: 100 ~ 240V, 50~60Hz, 36W, Output: 12V, 3A
Battery	Lithium-Polymer High Capacity Battery (8 Hours)

## 8" Medical Tablet

## Dimensions / Unit: mm



## Ordering Information

- MPAD-800-C01-1020  
Tablet . RK3288. 2G-16G. WiFi.BT.Android 10

# MD116 Series Accessory Selection

## Vehicle Dock OPM-T016-A3



### Specifications

Description	Vehicle Dock
Input Power	12V
Installations	VESA 75
IO	2x USB 2.0 Type-A 1x RJ45 1x Line Out 1x Phoenix Port 1x DC In Jack
LED Indicator	N/A
Dimensions	236.89 x 293.03 x 88.22mm
Weight	800g
Operating Temperature	0°C ~ 40°C(32°F ~ 104°F)
Storage Temperature	-20°C ~ 60°C(-4°F ~ 140°F)

### Optional Accessories

- OPM-T016-A3  
MD116 Vehicle Docking Plus . USB x2 /LAN / Line out

## Office Dock OPM-T022-A1



### Specifications

Part Number	OPM-T022-A1
Description	Office Dock
Input Power	12V
Installations	Stationary
IO	2x USB 2.0 Type-A 1x RJ45 1x RS-232 1x DC-In Video out (optional) 1x HDMI , 1x DP
LED Indicator	Steady Green: Connection LED Off: Disconnection
Dimensions	354 x 117 x 78.2mm
Weight	1060g
Operating Temperature	0°C ~ 35°C(32°F ~ 95°F)
Storage Temperature	-20°C ~ 60°C(-4°F ~ 140°F)

### Optional Accessories

- OPM-T022-A1  
MD116 Office Dock
- OPM-T022-A2  
MD116 office Dock HDMI
- OPM-T022-A3  
MD116 office Dock DP

Mobile Medical Tablet

# MD116 Series Accessory Selection

## VESA Cradle

OPM-T021-A1



## Specifications

Description	VESA Cradle
Input Power	N/A
Installations	VESA 75
IO	N/A
LED Indicator	N/A
Dimensions	206.69 x 196.64 x 87.8mm
Weight	395g
Operating Temperature	0°C ~ 40°C(32°F ~ 104°F)
Storage Temperature	-20°C ~ 60°C(-4°F ~ 140°F)

## Optional Accessories

- OPM-T021-A1  
MD116 VESA Cradle

# MD116 Series Accessory Selection

## Battery Pack x2

OPM-P05T



### Specifications

Battery Type	253P / 6 Cell Lithium-ion battery
Battery Voltage	7.2V
Battery Capacity	4545 mAh / 32.72Wh
Warranty	1 year
Certification	UL,CE,IEC-60950-1,IEC-62133-1

#### MECHANICAL AND ENVIRONMENTAL

Color	Black
Dimension	127(L) x 60(w) x 21(H) mm
Net Packing Size	199(L) x 175(w) x 42(H) mm
Weight	305g/pcs
Gross Weight	0.9kg(1.98 lbs)
Operating Temperature	0°C ~ 40°C(32°F ~ 104°F)
Storage Temperature	-20°C ~ 60°C(-4°F ~ 140°F)

### Ordering Information

- OPM-P05T-A2  
2 Battery Kits.2S3P.7.2V.Onyx MD116.Volume Package

## Battery Charger

UP-M62



### Specifications

Description	Battery Charger
Input Power	24V
Installations	Stationary
IO	1x Micro USB (Client) 1x DC-In
LED Indicator	Flickering Blue: Battery Charging Steady Blue: Battery Fully Charged Flickering Purple Green: Error
Dimensions	245.95 x 124.64 x 143.65mm
Weight	860g
Operating Temperature	0°C ~ 35°C(32°F ~ 95°F)
Storage Temperature	-20°C ~ 60°C(-4°F ~ 140°F)

### Optional Accessories

- UP-M62-A1-1010  
MD116 6-slots Charger

# MD116 Series Accessory Selection

## Desk Stand OPM-H26S



### Specifications

Description	Desk Stand
Color	Black
Installations	MD116 / MD116i Screw hole
IO	N/A
Dimensions	250x 153 x 126.2 mm
Weight	500g
Minimum Package Size	610 x 240 x 330 mm (Incl.5pcs)
Minimum Package Weight	3 kg (Incl.5pcs)
Storage Temperature	-20°C ~ 60°C(-4°F ~ 140°F)

### Optional Accessories

- OPM-H26S-A1  
MD116 Desk Stand



# MEDICAL PC & MONITOR FOR DIGITAL OR

In a digital operating room, important information and images such as patient vital signs, surgical images, and xray images need to be displayed all at once. With the latest technology, ACCEL series offers large screen ultra high definition 4K resolution display, AV over IP video solution, medical recorder, Intel Xeon / Core i7 quad core processor, AMD Ryzen Embedded V1000 Processor capacitive multi-touch screen and multiple video inputs to improve display quality and work efficiency.



## 32/27-inch 4K UHD High Resolution & High Brightness Display

- ◆ Intel Xeon / Core i7 Platform
- ◆ Triple PCI Express Slot for High End Graphics, Fiber LAN and UHD Video Capture
- ◆ Enhance functional for Medical Imaging
- ◆ IP54 Certified, Antimicrobial Surface Coatin and Fanless

### 32/27-INCH 4K UHD HIGH RESOLUTION & HIGH BRIGHTNESS DISPLAY

ACCEL series offers 32/27-inch 3240x2160 resolution high brightness display for high resolution medical imaging



### INTEL® QUAD CORE XEON PLATFORM

For mission-critical medical application, Intel Quad Core Xeon Processor provides cutting edge computing power and ECC(Error-correcting code) memory helps preserve the integrity of your data, prevent data corruption, and prevent system crashed and failures.



### TRIPLE PCI EXPRESS SLOT FOR HIGH END GRAPHICS, FIBER LAN & UHD VIDEO CAPTURE

ACCEL surgical station provide one PCI Express[x16] slot, one PCI Express[x4] slot and one PCI Express[x1] slot for installing high end graphics card, NVIDIA Tesla GPU accelerator, fiber 10GbE LAN card and 4K UHD video capture card.



### ENHANCE FUNCTIONAL FOR MEDICAL IMAGING

ACCEL surgical monitor provides the embedded solutions for Medical Imaging, the multipicture functionality and backlight sensor could automatic to adjust the image to ensure a user has the most clearly diagnostic.



### IP54 CERTIFIED, ANTIMICROBIAL SURFACE COATIN AND FANLESS

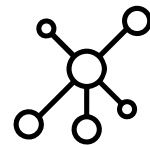
ACCEL surgical monitor has IP54 certified gives the complete protection against contact from dust and powerful jets of water. and the Antimicrobial Surface Coating which could provide the best clean and healthy environment



# FEATURES FOR VM100/200/VS100

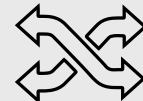
## IP NETWORK WITH ONE CABLE SOLUTION

Onyx AV over IP video solution allows user to use one copper or one fiber to transmit video and audio signal, therefore, user use less cable for the installation of operating room



## ZERO LATENCY

Near zero Sub-millisecond latency provides better accuracy and increase safety during the surgery



## MEDICAL CERTIFICATION AND UNCOMPRESSED TRANSMISSION

Onyx Medical AV over IP video solution certifies with IEC60601 and FCC Part 18



## UNCOMPRESSED TRANSMISSION

Onyx AV over IP video solution supports 4K video uncompressed transmission (4:4:4)



## OPEN API AND SDK FOR EASY INTEGRATION WITH EXISTING INFRASTRUCTURE

Onyx can provide API or SDK for the system integrator to do the integration with existing infrastructure and also can provide standard UI for the system integrator to be familiar with our solution easily.



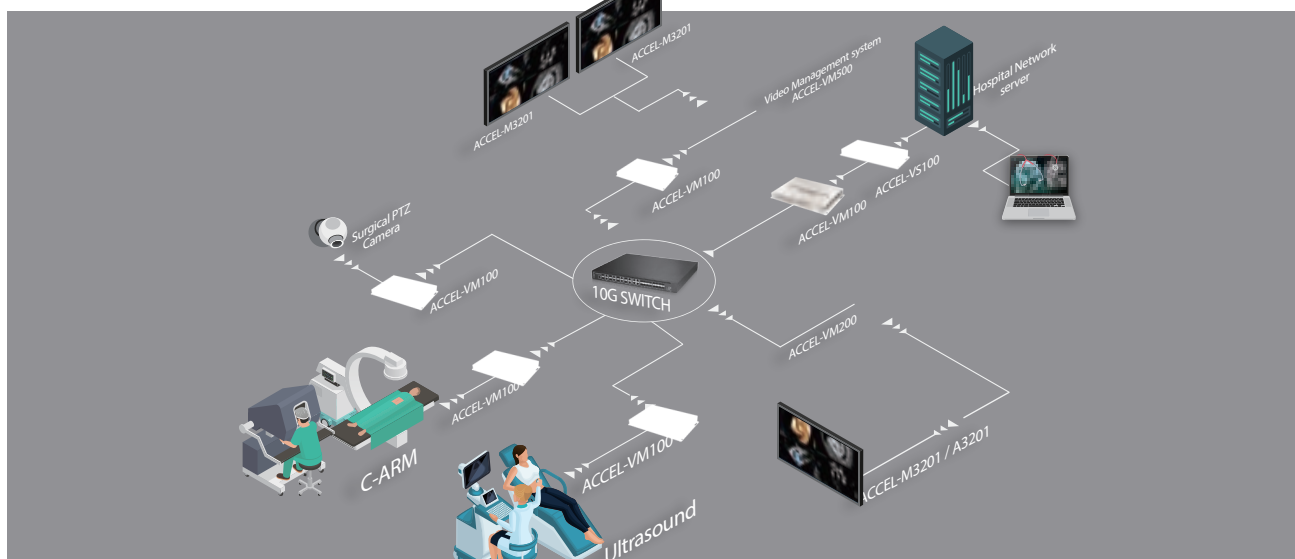
## ACCEL DIGITAL OR SOFTWARE SOLUTION FOR SWITCHING, ROUTING, RECORDING AND STREAMING

Onyx Software solution provides the function of video switching, routing, recording and streaming



## RECORDING AND 4K VIDEO STREAMING

Onyx can provide API or SDK for the system integrator to do the integration with existing infrastructure and also can provide standard UI for the system integrator to be familiar with our solution easily.



# FEATURES FOR ACCEL-VM500 MEDICAL RECORDER

## MULTIPLE VIDEO INPUT INTERFACE FOR FULL HD OR 4K VIDEO RECORDING

Onyx Medical recorder support Full HD recording with different legacy video input interface including YPbPR, CVBS, DVI or S-Video and 4K Video recording with HDMI input



## MEDICAL CERTIFICATION

Onyx recording system certifies with UL60601-1, IEC60601-1 and FCC Part 18



## SDK PROVIDE

Onyx can provide SDK for the system integrator to do the integration with existing infrastructure



## MULTIPLE STORAGE SUPPORT

Support 2 x 2.5" HDD or SSD and 1 x M.2 NVMe SSD.



## ONYX VERSION RECORDING SOFTWARE (ACCEL-RM)

Onyx also can provide Onyx version recording software including the features below

- Patient data entry and archiving
- Video playback, copy and preview
- Video timeline tag and editing
- Snapshot of the video as a picture to save
- When two or more Capture Cards are detected, it will automatically switch to Dual Mode

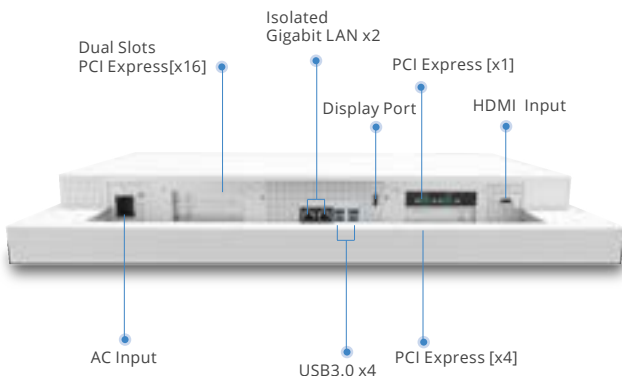
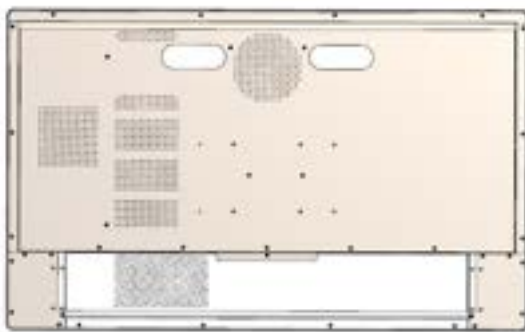
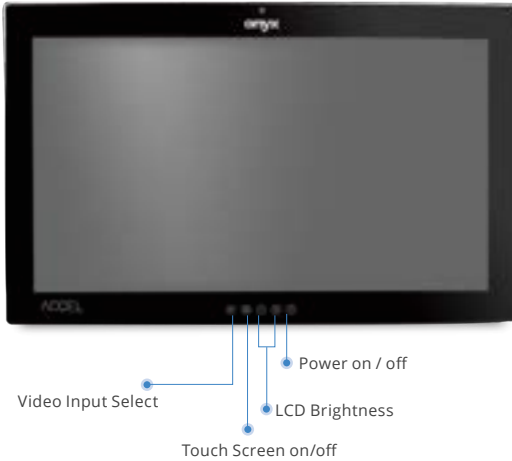




Medical PC & Monitor for Digital OR

# ACCEL-A3201

32" 4K UHD 11th Generation Xeon / Core i7 Medical All in One PC for AI Inference



## Features

- Intel® Core™ i7-11850HE (8C/16T, 2.1 GHz, 35W)
- Intel® Xeon® W-11865MRE (8C/16T, 2.1 GHz, 35W)
- Supports ECC / Non-ECC DDR4 SODIMM up to 32GB
- 32" UHD 3840x2160 350-nit High Contrast LCD
- Capacitive Multi-Touch Screen
- 5 Programmable Smart Function Keys with Dual Colors LED Status Indication
- LAN/USB(optional)/COM(optional) Medical Isolation
- Dual Slots PCI Express[x16] x1 for High End Graphics Card /GPU Accelerator Card up to 300W
- PCI Express[x4] x1, PCI Express[x1]x1
- Trusted Platform Module 2.0
- Remote Management: Intel Active Management Technology
- 100V to 240V AC Input

## Specifications

### MAIN SPECIFICATIONS

Processor	Intel® Core™ i7-11850HE (8C/16T, 2.1 GHz, 35W) Intel® Xeon® W-11865MRE (8C/16T, 2.1 GHz, 35W)
Chipset	CM236 (for Xeon) / QM170(for Core i7)
System Memory	ECC (for Xeon) / Non-ECC (for Core i7) DDR4 SODIMM up to 32GB
Expansion	PCI Express[x16] x1, PCI Express[x4] x1, PCI Express[x1] x1
Storage Disk Drive	2.5" SATA Hard Disk Drive/Solid State Disk Drive x2
Security	Trusted Platform Module 2.0
Wireless Communication	802.11ac, Bluetooth 5.1
Speaker	5W x 2
Function Key	Power On/Off, LCD, Brightness Up/Down, Touch Screen On/Off, Video Input Select
Power Requirement	100~240V AC
OS Support	Windows® 7, Windows® 10, Linux®

### DISPLAY

Size	32" LCD
Resolution	3840 x 2160
Luminance	350 nits
View Angle	178°(H)/178°(V)
Contrast Ratio	1000:1
Back Light Life Time	30,000 Hours
Touch Screen	Capacitive Multi-Touch

### I/O

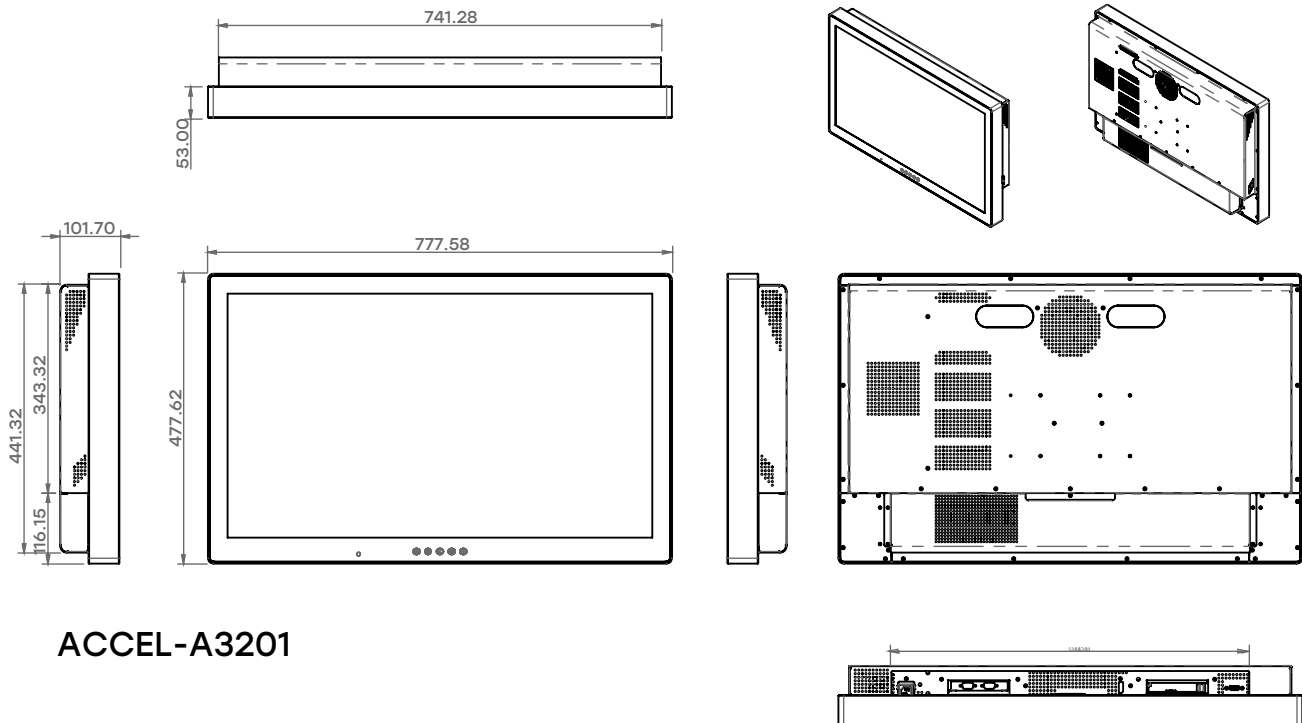
USB	USB 3.0 x4
Serial Port	Isolated RS-232 x2(optional)
Ethernet	Isolated Gigabit LAN x2
Audio	Mic(optional), Line out(optional)
Video Out	Display Port 1.4 x1
Video In	HDMI x1

### MECHANICAL AND ENVIRONMENTAL

Power Consumption	Full loading : 90 Watts
Operating Temperature	0°C ~ 35°C(32°F ~ 95°F)
Storage Temperature	-20°C ~ 60°C(-4°F ~ 140°F)
Mounting	VESA 100mm
Degree of Protection	IP54 in the front, IPX1 in the back
Dimension	778 x 478 x 102mm
Package Size	910 x 618 x 220 mm
Gross Weight	21.5 kg (47.4 lb)
Net Weight	18.5 kg (40.8 lb)
Certifications	CE: EN 60601-1-2:2015(V4.0), EN 60601-1:2006/A1:2013(V3.1) FCC: Part 18 Class B UL: ANSI/AAMI ES60601-1:2012 (V3.1) cUL: CAN/CSA-C22.2 No. 60601-1:2014 (V3.1)

## 32" 4K UHD 11th Generation Xeon / Core i7 Medial All in One PC for AI Inference

### Dimension / Unit: mm



### ACCEL-A3201



### Ordering Information

- ACCEL-A3201-P1-A1-0010  
OR Station.Xeon E3-1505M v5.32" UHD 350-nit.System Fan.  
AC 100~240V. Capacitive Touch
- ACCEL-A3201-P2-A1-0010  
OR Station.i7-6820EQ.32" UHD 350-nit.System Fan.  
AC 100~240V. Capacitive Touch

### Optional Accessories

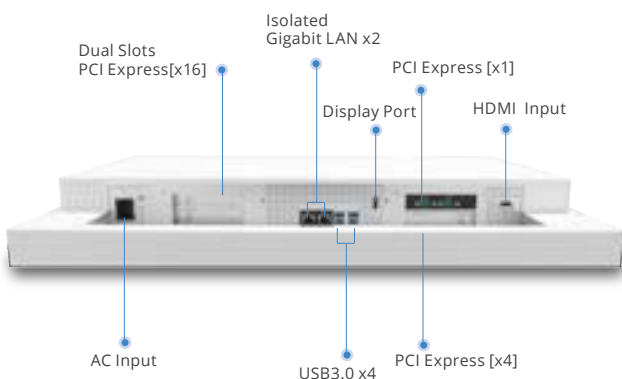
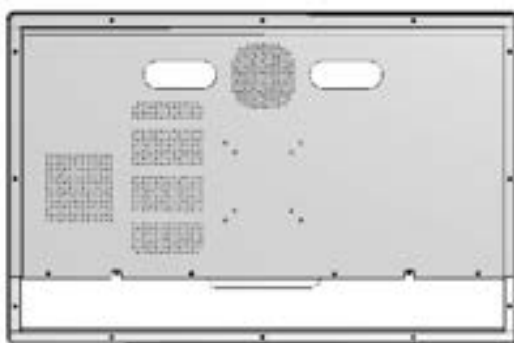
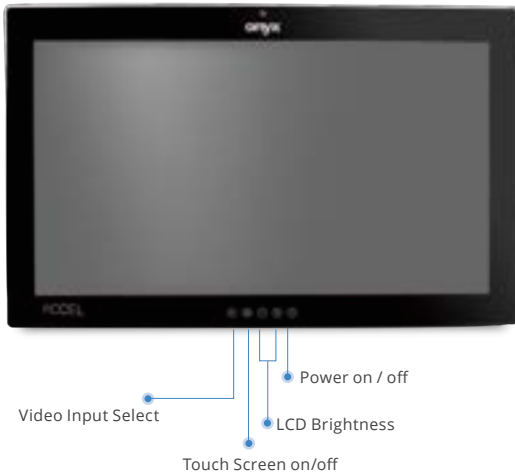
- OPM-C15W-A6  
WLAN Kit, 802.11a/b/g/n/ac + BT 5.1
- OPM-C02C-A3  
One Isolated USB 2.0 + Two Isolated RS-232 PCIe Card
- OPM-C02C-A4  
Two Isolated RS-232 PCIe Card
- 9789320100  
IR Remote Control for Display Setting
- OPM-H08S-A2  
Desktop Stand, White Color, VESA 75/100,  
385mm Height .



Medical PC & Monitor for Digital OR

# ACCEL-A2701

27" 4K UHD 11th Generation Xeon / Core i7 Medical All in One PC for AI Inference



## Features

- Intel® Core™ i7-11850HE (8C/16T, 2.1 GHz, 35W)
- Intel® Xeon® W-11865MRE (8C/16T, 2.1 GHz, 35W)
- Supports ECC / Non-ECC DDR4 SODIMM up to 32GB
- 27" UHD 3840x2160 250-nit High Contrast LCD
- Capacitive Multi-Touch Screen
- 5 Programmable Smart Function Keys with Dual Colors LED Status Indication
- LAN/USB(optional)/COM(optional) Medical Isolation
- Dual Slots PCI Express[x16] x1 for High End Graphics Card /GPU Accelerator Card up to 300W
- PCI Express[x4] x1, PCI Express[x1]x1
- Trusted Platform Module 2.0
- Remote Management: Intel Active Management Technology
- 100V to 240V AC Input

## Specifications

### MAIN SPECIFICATIONS

Processor	Intel® Core™ i7-11850HE (8C/16T, 2.1 GHz, 35W) Intel® Xeon® W-11865MRE (8C/16T, 2.1 GHz, 35W)
Chipset	CM236 (for Xeon) / QM170(for Core i7)
System Memory	ECC (for Xeon) / Non-ECC (for Core i7) DDR4 SODIMM up to 32GB
Expansion	PCI Express[x16] x1, PCI Express[x4] x1, PCI Express[x1] x1
Storage Disk Drive	2.5" SATA Hard Disk Drive/Solid State Disk Drive x2
Security	Trusted Platform Module 2.0
Wireless Communication	802.11ac, Bluetooth 5.1
Speaker	5W x 2
Function Key	Power On/Off, LCD,Brightness Up/Down, Touch Screen On/Off, Video Input Select
Power Requirement	100~240V AC
OS Support	Windows® 7, Windows® 10, Linux®

### DISPLAY

Size	27" LCD
Resolution	3840 x 2160
Luminance	250 nits
View Angle	178°(H)/178°(V)
Contrast Ratio	1000:1
Back Light Life Time	30,000 Hours
Touch Screen	Capacitive Multi-Touch

### I/O

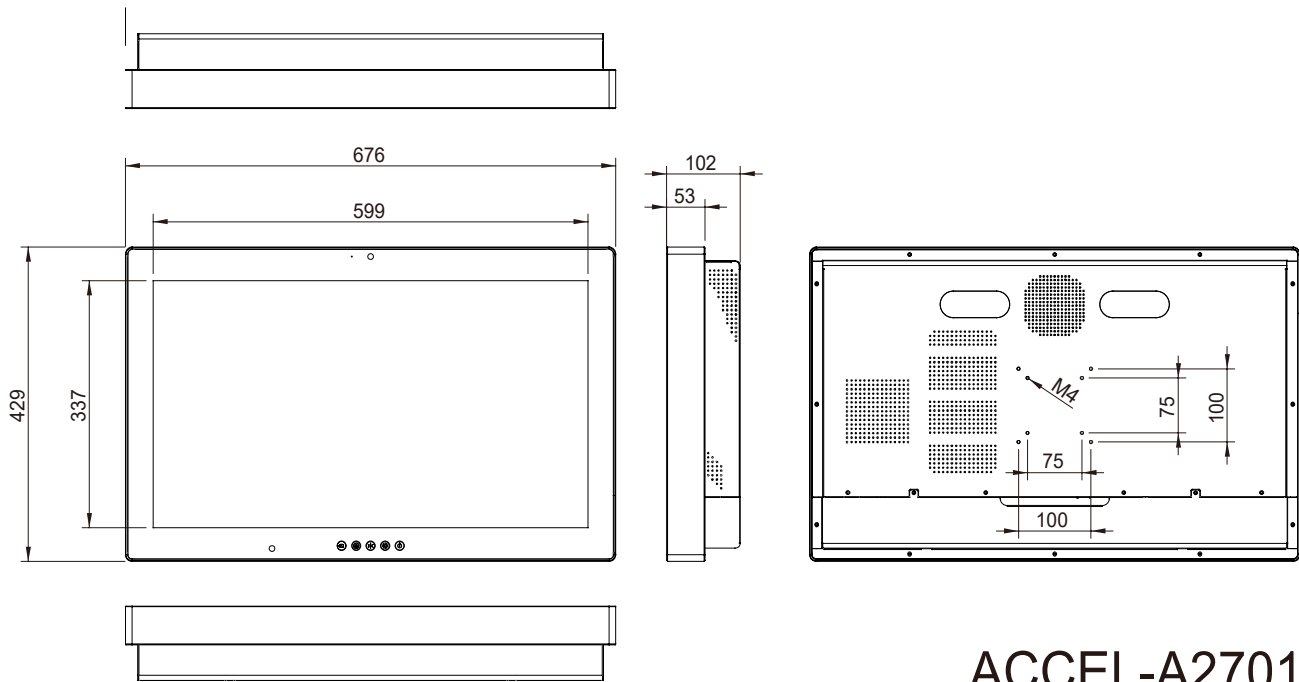
USB	USB 3.0 x4
Serial Port	Isolated RS-232 x2(optional)
Ethernet	Isolated Gigabit LAN x2
Audio	Mic(optional), Line out(optional)
Video Out	Display Port 1.4 x1
Video In	HDMI x1

### MECHANICAL AND ENVIRONMENTAL

Power Consumption	Full loading : 90 Watts
Operating Temperature	0°C ~ 35°C(32°F ~ 95°F)
Storage Temperature	-20°C ~ 60°C(-4°F ~ 140°F)
Mounting	VESA 100mm
Degree of Protection	IP54 in the front, IPX1 in the back
Dimension	676 x 429 x 102 mm
Package Size	820 x 575 x 230 mm
Gross Weight	16 kg (35.3 lb)
Net Weight	13.5 kg (29.76 lb)
Certifications	CE: EN 60601-1-2:2015(V4.0), EN 60601-1:2006/A1:2013(V3.1) FCC: Part 18 Class B UL: ANSI/AAMI ES60601-1:2012 (V3.1) cUL: CAN/CSA-C22.2 No. 60601-1:2014 (V3.1)

## 27" 4K UHD 11th Generation Xeon / Core i7 Medial All in One PC for AI Inference

### Dimension / Unit: mm



# ACCEL-A2701



### Ordering Information

- ACCEL-A2701-P1-A1-0010  
OR Station. Xeon E3-1505M v5.27" UHD.  
AC 100~240V.Capacitive Touch
- ACCEL-A2701-P2-A1-0010  
OR Station. i7-6820EQ.27" UHD.  
AC 100~240V.Capacitive Touch

### Optional Accessories

- OPM-C15W-A6  
WLAN Kit, 802.11a/b/g/n/ac + BT 5.1
- 9789320100  
Remote Control for Display Setting
- OPM-T004-A5  
5M Pixels Camera with Mic Trip
- OPM-C02C-A3  
One Isolated USB 2.0 + Two Isolated RS-232 PCIe Card
- OPM-C02C-A4  
Two Isolated RS-232 PCIe Card
- OPM-H08S-A1  
Desktop Stand, White Color, VESA 75/100, 390mm Height Max.

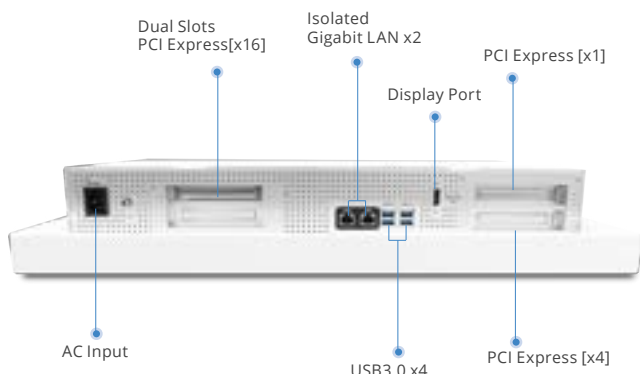
Medical PC & Monitor for Digital OR

# ACCEL-A2401

24" FHD 9th Generation Xeon / Core i7 Medical All in One PC for AI Inference



Power on / off  
LCD Brightness  
Touch Screen on/off



## Features

- Intel® 9th Generation Xeon E-2276ML 2.0GHz Six Core / Core i7-9850HL 1.9GHz Six Core
- Supports ECC / Non-ECC DDR4 SODIMM up to 64GB
- 24" FHD 1920x1080 400-nit High Contrast LCD
- Capacitive Multi-Touch Screen
- 4 Programmable Smart Function Keys with Dual Colors LED Status Indication
- LAN/USB(optional)/COM(optional) Medical Isolation
- Dual Slots PCI Express[x16] x1 for High End Graphics Card /GPU Accelerator Card up to 250W
- PCI Express[x4] x1, PCI Express[x1]x1
- Trusted Platform Module 2.0
- Remote Management: Intel Active Management Technology
- 100V to 240V AC Input

## Specifications

### MAIN SPECIFICATIONS

Processor	Intel® 9th Generation Xeon E-2276ML 2.0GHz Six Core / Core i7-9850HL 1.9GHz Six Core
Chipset	CM246 (for Xeon) / QM370(for Core i7)
System Memory	ECC (for Xeon) / Non-ECC (for Core i7) DDR4 SODIMM up to 64GB
Expansion	PCI Express[x16] x1, PCI Express[x4] x1, PCI Express[x1] x1
Storage Disk Drive	2.5" SATA Hard Disk Drive/Solid State Disk Drive x2
Security	Trusted Platform Module 2.0
Wireless Communication	802.11ac, Bluetooth 5.1
Speaker	5W x 2
Function Key	Power On/Off, LCD, Brightness Up/Down, Touch Screen On/Off
Power Requirement	100~240V AC
OS Support	Windows® 10, Linux®

### DISPLAY

Size	24" LCD
Resolution	1920 x 1080
Luminance	400 nits
View Angle	178°(H)/178°(V)
Contrast Ratio	1000:1
Back Light Life Time	30,000 Hours
Touch Screen	Capacitive Multi-Touch

### I/O

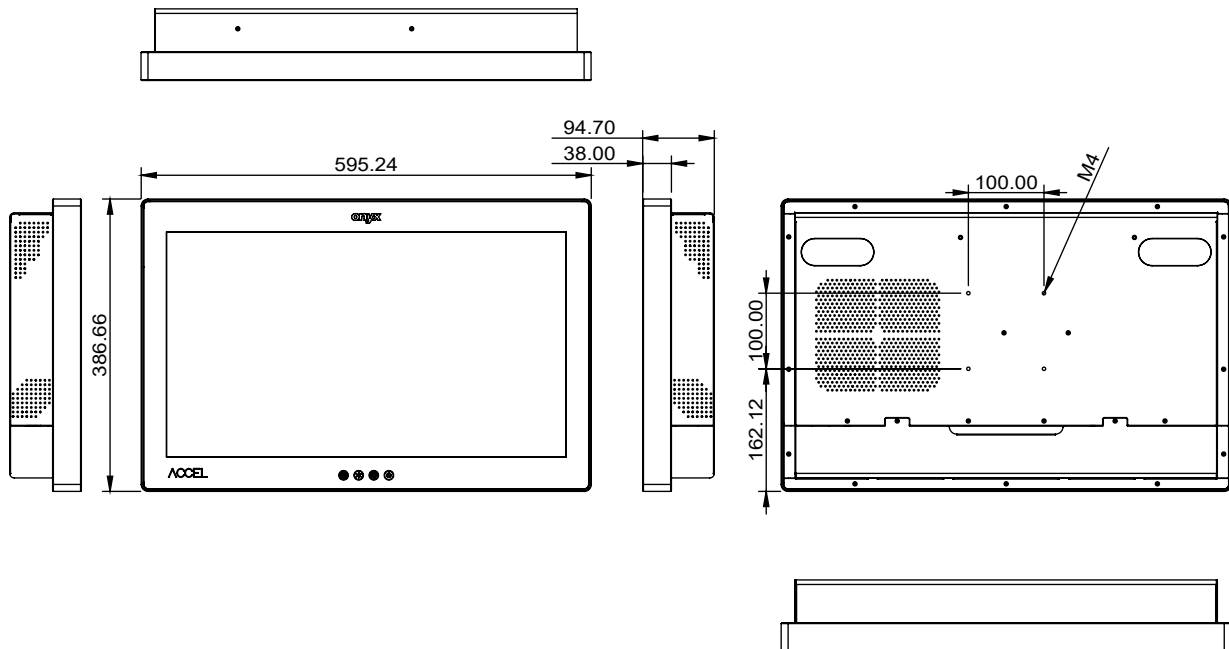
USB	USB 3.0 x4
Serial Port	Isolated RS-232 x2(optional)
Ethernet	Isolated Gigabit LAN x2
Audio	Mic(optional), Line out(optional)
Video Out	Display Port 1.4 x1

### MECHANICAL AND ENVIRONMENTAL

Power Consumption	Full loading : 75 Watts
Operating Temperature	0°C ~ 35°C(32°F ~ 95°F)
Storage Temperature	-20°C ~ 60°C(-4°F ~ 140°F)
Mounting	VESA 100mm
Degree of Protection	IP54 in the front, IPX1 in the back
Dimension	595 x 387 x 95 mm
Package Size	764 x 240 x 534 mm
Gross Weight	13 kg (28.7 lb)
Net Weight	11 Kg (24.3 lb)
Certifications	CE: EN 60601-1-2:2015(V4.0), EN 60601-1:2006/A1:2013(V3.1) FCC: Part 18 Class B UL: ANSI/AAMI ES60601-1:2012 (V3.1) cUL: CAN/CSA-C22.2 No. 60601-1:2014 (V3.1)

## 24" FHD 9th Generation Xeon / Core i7 Medial All in One PC for AI Inference

### Dimension / Unit: mm



### Ordering Information

- ACCEL-A2401-P1-A1-0010  
OR Station.Xeon E3-2276ML.24" FHD.Capacitive Touch
- ACCEL-A2401-P2-A1-0010  
OR Station.i7-9850HL.24" FHD.Capacitive Touch

### Optional Accessories

- OPM-C15W-A6  
WLAN Kit, 802.11ac + BT 5.1
- OPM-C02C-A3  
One Isolated USB 2.0 + Two Isolated RS-232 PCIe Card
- OPM-C02C-A4  
Two Isolated RS-232 PCIe Card
- OPM-H08S-A1  
Desktop Stand, White Color, VESA 75/100, 390mm Height Max.

Medical PC & Monitor for Digital OR

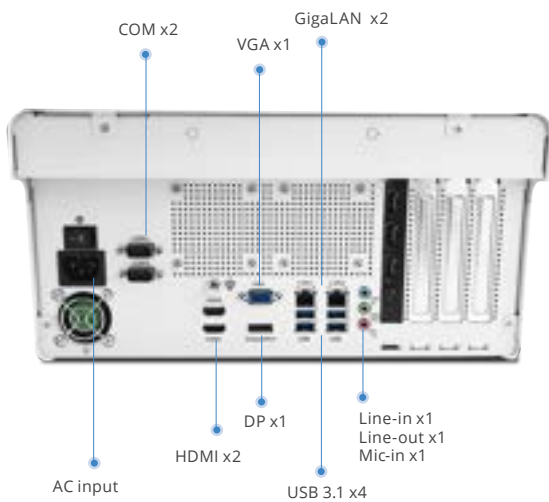
# ACCEL-VM500R

Medical Video Management System with 9th Generation Intel Xeon / Core i7 CPU



Power button

USB 2.0 x2 /  
USB 3.0 x2 (optional)



COM x2

VGA x1

GigaLAN x2

AC input

HDMI x2

DP x1

Line-in x1  
Line-out x1  
Mic-in x1

USB 3.1 x4

## Features

- Intel® 9th generation Core I/Xeon Processor with C246A chipset
- Supports ECC DDR4 DIMM up to 64GB memory
- Excellent Thermal design with low fan noise OR room environment
- Support TPM 2.0 for security management
- Support Three 4K Displays: HDMI x 2, DP x 1
- System is medical Certified with graphic card and capture card
- Support the integration of Nvidia RTX A4000, A5000 and A6000 GPU Card
- Support CD DVD(optional)
- Support Built in speaker (optional)

## Application

- Equipment control
- Video recording in OR room
- Medical AI Application

## Specifications

### MAIN SPECIFICATIONS

Processor	Intel® 9th generation Core I/Xeon Processor
System Memory	Supports ECC/Non-ECC DDR4 2133 DIMM x 4 up to 64GB
Chipset	Intel® C246A
OS Support	Windows® 10 , Windows® 11 , Linux (optional)
Storage Disk Drive	2.5" SATA SSD x 2, M.2 2280 M Key SSD x 1 (NVMe or SATA SSD)
TPM	2.0
Speaker (Optional)	Built in Speaker
CD DVD(Optional)	SATA DVD+/-RW White Color

### I/O

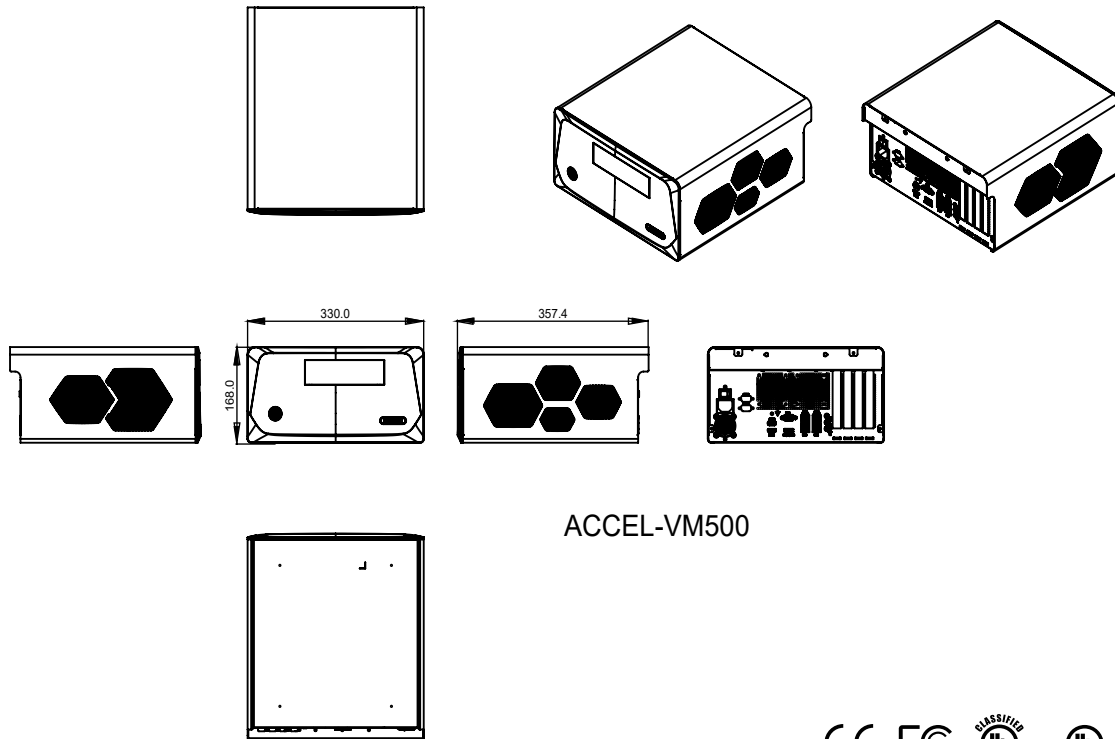
USB	Rear USB 3.1 Gen 1 x 4
	Front USB 2.0 or USB 3.0(Optional)
	Rear USB 3.1 Gen 2 x 6(Optional)
Ethernet	Gigabit LAN x 2
Audio	Line-in x 1, Mic-in x 1 and Line-out x 1
Serial Ports	RS-232 x 2
Extension area	M.2 E Key 2230 x 1 for Wireless module PCIe 3.0[x16] x1, PCIe 3.0 [x4] x2, PCIe 3.0 [x1] x 1
Capture card (optional)	4Kp60: HDMI 2.0 in FHD: HDMI x1, DVI-I x 1, YPbPr x1, SDI x1, CVBS x 1, S-Video x 1

### MECHANICAL AND ENVIRONMENTAL

Power Consumption	100V to 240V AC Input, 500W
Operating Temperature	0°C ~ 35°C(32°F ~ 95°F)
Storage Temperature	-20°C ~ 60°C(-4°F ~ 140°F)
Dimension	330 x 357.4 x 168 mm
Package Size	500 x 490 x 300 mm
Gross Weight	8.6 kg
Net Weight	8 kg
Certifications	CE: EN 60601-1-2:2015(V4.0), EN 60601-1:2006/A1:2013/A12:2014 (V3.1) FCC: Part 18 Class B UL: ANSI/AAMI ES60601-1:2012 (V3.1) cUL: CAN/CSA-C22.2 No. 60601-1:2014 (V3.1)

## Medical Video Management System with 9th Generation Intel Xeon / Core i7 CPU

### Dimension / Unit: mm



ACCEL-VM500



### Ordering Information

- ACCEL-VM500-N1-A1-0010  
Medical Box PC.I7-9700E.FAN.4PCIe slot.AC 100~240V.White
- ACCEL-VM500-N2-A1-0010  
Medical Box PC.E-2278GE.FAN.4PCIe slot.AC 100~240V.White
- ACCEL-VM500R-N1-A1-0010  
4K UHD Medical Recorder.i7-9700E.Fan.16GB RAM.1TB HDD.Win 10 IoT.4Kp60+FHD.  
ACCE-RM Pre-installed

### Optional Accessories

- OPM-C12W-A13  
WLAN Kit.802.11a/b/g/n/ac.w/BT 4.1.dual ext. antenna.  
Qualcomm Atheros NFA364A.for ACCEL-VM500
- OPM-C15W-A13  
WLAN Kit.802.11a/b/g/n/ac.BT 5.dual ext. antenna.  
Intel AC 9260NGWGIE.NV,999LV6.for ACCEL-VM500
- 9686400008  
Graphics Card.NVIDIA Quadro RTX4000 8GB.GDDR6 PCI-E.  
NVIDIA.RTX4000
- 9686666685  
4k HDMI capture card.2 Port.HDMI2.0
- 9686015601  
Full HD PCIe Video.Capture Card. 1×HDMI, 1×DVI-I, 1×YPbPr,  
1×SDI, 1×CVBS, 1×S-Video
- A50-SEC-A1  
Second 2.5" HDD/SSD kit .for ACCEL-VM500
- A50-SPK-A2  
5W Internal Speaker kit.for ACCEL-VM500
- 9686500002  
(AOH)(TF)Graphics Card.NVIDIA Quadro RTX5000.16GB GDDR6.  
PCI-E.NVIDIA.RTX5000
- 9686A40000  
(AOH)(TF)Graphics Card.NVIDIA Quadro RTXA4000.16GB.GDDR6.  
PCI-E 4.0\*16.DP 1.4.NVIDIA.RTX A4000
- 9686A50000  
(AOH)(TF)Graphics Card.NVIDIA Quadro RTXA5000.24GB.GDDR6.  
PCI-E 4.0\*16.DP 1.4.NVIDIA.RTX A5000
- 9686A60000  
(AOH)(TF)Graphics Card.NVIDIA Quadro RTXA6000.48GB.GDDR6.  
PCI-E 4.0\*16.DP 1.4.NVIDIA.RTX A6000



Medical PC & Monitor for Digital OR

# ACCEL-VM100

HDMI/DP over IP Transceiver with USB Extension for Digital OR



## Features

- Can be configured to function as either a Transmitter or a Receiver
- IP switchable with minimum latency requires optional control center or control software
- Extension up to 30km (maximum distance depends on the SFP+ module and type of fiber used)
- Supports the use of an external control center or control software to provide expanded functionality

## Specifications

### INTERFACES

Input Port	1 x HDMI (Type-A) 1 x DisplayPort
Output Port	1 x HDMI (Type-A)
Bi-directional Port	1 x 10GbE LAN (SFP+)
Pass-through Port	1 x Unbalanced Stereo (3.5mm) 1 x IR Extender (3.5mm) 1 x IR Blaster (3.5mm) 1 x RS-232 (3-pin Terminal Block) 1 x Ethernet (RJ-45) 3 x USB (Type-A)
Service Port	1 x USB (Mini-B)

### VIDEO

HDMI Compliance	HDMI 2.0 (DVI 1.0)
HDCP Compliance	2.2
Input Signal Types	HDMI 2.0 / 4K@60, HDR10 / DisplayPort 1.4 HBR2

### RESOLUTIONS

Maximum Input	HDMI - 4096×2160p@60, 2560×1600p@60RB
	DisplayPort - 4096×2160p@60, 2560×1600p@60RB
	Streaming - 4096×2160p@60, 2560×1600p@60RB
Maximum Output	HDMI - 4096×2160p@60, 2560×1600p@60RB
	Streaming - 4096×2160p@60, 2560×1600p@60RB

### AUDIO

Digital Formats	HDMI - 8CH LPCM, Bitstream, HD Bitstream DisplayPort- 8CH LPCM, Bitstream, HD Bitstream
Analog Formats	Unbalanced 2 Channel
Line Level	Frequency Response: <math>\pm 0.5\text{dB}</math> (20Hz to 20kHz) THD: <math>< 0.02\%</math> (20Hz to 20kHz) S/N Ratio: > 80dB (1kHz with 0dBFS) Crosstalk: <math>< -80\text{dB}</math> (10kHz, $V_{in}=0\text{dBFS}</math>)$

### POWER

Power Supply	12V/3A (Locking)
Power Consumption	HDMI 2.0 / 4K@60, HDR10 / DisplayPort 1.4 HBR2

### ENCLOSURE

Chassis Material	Metal (Steel)
Chassis Color	White
Certification	CE: EN 60601-1-2:2015(V4.0), EN 60601-1:2006/A1:2013/A12:2014 (V3.1) FCC: Part 18 Class A

## Order information

- ACCEL-VM100-N1-A1-0001  
4K UHD+ HDMI/DP/USB over Fiber Transmitter/Receiver  
(10Gbit/s SFP+)

Medical PC & Monitor for Digital OR

# ACCEL-VM200

AV over IP Master Controller



## Features

- Enables the management and configuration of multiple compatible video over IP (VoIP) extender through a single WebGUI.
- WebGUI clearly displays the status of all connected Transmitters and Receivers, including IP address, channel selection, etc.
- Dual LAN ports enable control over VoIP installations that reside on a logically or physically separate network from the standard local network.
- Support Optional Trigger Control Keypad for easy, single-button, preset activation.

## Specifications

### INTERFACES

Output Port	1 x HDMI
Control I/O	1 x IR Extender (3.5mm)
	1 x RS-232 (3-pin Terminal Block)
	8 x Trigger (10-pin Terminal Block)
	1 x USB (Type-A)
Reserved Port	2 x LAN (RJ-45)
	1 x RS-232 (5-pin Terminal Block)

### VIDEO

Maximum Output	HDMI
----------------	------

### RESOLUTIONS

Maximum Output	1920 x 1080p@60
----------------	-----------------

### POWER

Power Supply	5V/2.6A DC (Locking)
Power Consumption	2.99W

### ENCLOSURE

Chassis Material	Metal (Steel)
Chassis Color	White
Dimensions (W×H×D)	231.5 × 25 × 108 mm (Case Only)
	231.5 × 25 × 117 mm (All Inclusive)
Weight	250g
Packing Size	280 × 180 × 71 mm
Certification	CE: EN 60601-1-2:2015(V4.0),
	EN 60601-1:2006/A1:2013/A12:2014 (V3.1)
	FCC: Part 18 Class A

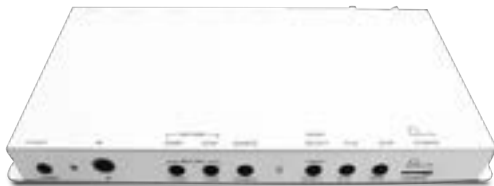
## Order information

- ACCEL-VM200-N1-A1-0001  
AV over IP Master Controller

Medical PC & Monitor for Digital OR

# ACCEL-VS100

HDMI/VGA Live Video Streamer with Recording



## Features

- Audio embedding and mixing support with the analog stereo audio input
- Integrated support for live steaming to Facebook, Youtube or Twitch Channel
- On screen countdown timer and test overlay are supported
- Generate 4 simultaneous streams from the same video source for easy system integration at multiple bandwidth targets
- Control via front panel buttons WebGUI, Telnet, RS232 and IR

## Specifications

### INTERFACES

Input Port	1 x HDMI (Type-A) 1 x VGA (HD-15) 1 x Unbalanced Stereo (3.5mm)
Output Port	1 x HDMI (Type-A)
Pass-through Port	1 x LAN (RJ-45) 1 x RS-232 (DE-9) 1 x MicroSD slot
Service Port	1 x USB (Type-A)

### VIDEO

HDMI Compliance	2.0
HDCP Compliance	2.2
Input Signal Types	4K@60 8bit YUV 4:4:4
Output Signal Type	4K@60 8bit YUV 4:4:4

### RESOLUTIONS

Maximum Input	HDMI - 4096×2160p@60, 2560×1600p@60RB VGA - 1920×1200p@60RB
Maximum Output	HDMI - 4096×2160p@60, 2560×1600p@60RB H.264 Stream - 1080p@60

### AUDIO

HDMI	Unbalanced Stereo, 2CH LPCM
------	-----------------------------

### POWER

Power Supply	5V/2.6A
Power Consumption	9.57W (Full load)

### ENCLOSURE

Chassis Material	Metal (Steel)
Chassis Color	White
Dimensions (W×H×D)	231.5 × 25 × 108 mm
Weight	668g
Packing Size	280 x 180 x 71 mm
Certification	CE: EN 60601-1-2:2015(V4.0), EN 60601-1:2006/A1:2013/A12:2014 (V3.1) FCC: Part 18 Class A

## Order information

- ACCEL-VS100-N1-A1-0001  
HDMI/VGA Live Video Streamer with Recording



# SLIM MEDICAL ALL IN ONE PC

The Slim Medical Panel PC is designed to meet the requirements and still be cost effective. It is running an Intel Atom processor, and it included all necessary input slots within its ultra slim chassis. The flexibility of slim fanless all in one medical panel PC is perfect for hospital applications such as mobile nursing station, wall-mount diagnosis panel, pharmacy automation and hospital administration automation.



## Key Features

- ◆ Green Operation
- ◆ Flexible Power Input
- ◆ High Speed Wireless Data Transmission
- ◆ Processing in Compact Size
- ◆ Small to large LCD Choices
- ◆ Quiet, Clean & Easy Maintenance

## SMALL TO LARGE LCD CHOICES

Slim Medical Panel PC offers four LCD sizes to fulfill the requirements of various hospital applications. 10.1" (Resolution:1280x800), 11.6"(Resolution:1366x768), 15.6"(Resolution:1920x1080), 17"(Resolution:1280x1024)



## QUIET, CLEAN & EASY TO MAINTAIN

Slim Medical Panel PCs utilize a large fanless heatsink on the back cover to efficiently dissipate heat generated from the processor and chipset. The Fanless cooling design keeps the environment quiet, clean and lowers maintenance efforts.



## GREEN & COMPACT SIZE FOR OPERATION

Less than 50W power consumption keeps Slim Medical Panel PC operating and extends the battery life of mobile medical carts. With narrow edge and monitor like chassis, it is easy and space friendly to users.



## DUAL ANTENNAS WITH BEST WLAN PERFORMANCE

With two antennas built into the Slim Medical Panel PCs, massive medical records and PACS images can be transferred through IEEE 802.11ac/a/b/g/n wireless LAN up to 300Mbps/sec.

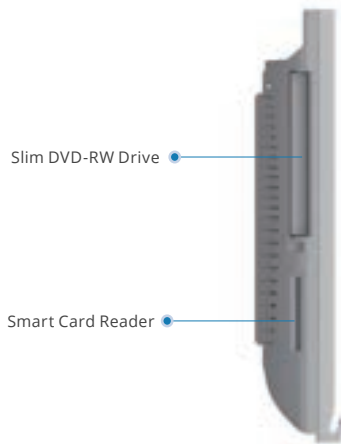




Slim Medical All in One PC

# SMA-1733

17" Fanless Slim Medical All in One PC



## Features

- Intel Celeron N6210 / Atom x6211E Dual Core Processor
- 17" High Brightness 350 nits SXGA LCD
- Supports DDR4 SODIMM up to 16GB (optional In-Band ECC support)
- 5-wire Resistive Touch Screen
- Trusted Platform Module / Smart Card Reader(optional) / RFID Reader(optional)
- 802.11ac Wireless LAN(optional)
- +12V DC input

## Specifications

### MAIN SPECIFICATIONS

Processor	Intel® Celeron N6210 2.6GHz / Atom x6211E 3.0GHz Dual Core Processor
System Memory	Supports DDR4 3200 SODIMM up to 16GB ( In-Band ECC with Atom x6211E)
OS Support	Windows® 10, Windows® 11, Linux®
Expansion Interface	M.2 2230(E-key) x 1, Proprietary PCIe[x1] x 1
Storage Disk Drive	M.2 2242 SATA SSD x1
Security	Trusted Platform Module, Smart Card Reader(optional), RFID Reader(optional)
Function Key	Speaker Volume Up/Down, LCD Brightness Up/Down
Wireless Communication	802.11ac, Bluetooth 5.1(optional)
Speaker	3W x 2
Power Requirement	DC 12V

### DISPLAY

Size	17" LCD
Resolution	1280 x 1024
Luminance	350 nits
View Angle	170°(H)/160°(V)
Contrast Ratio	1000:1
Back Light Life Time	> 30,000 hours
Touch Screen	5-wire Resistive

### I/O

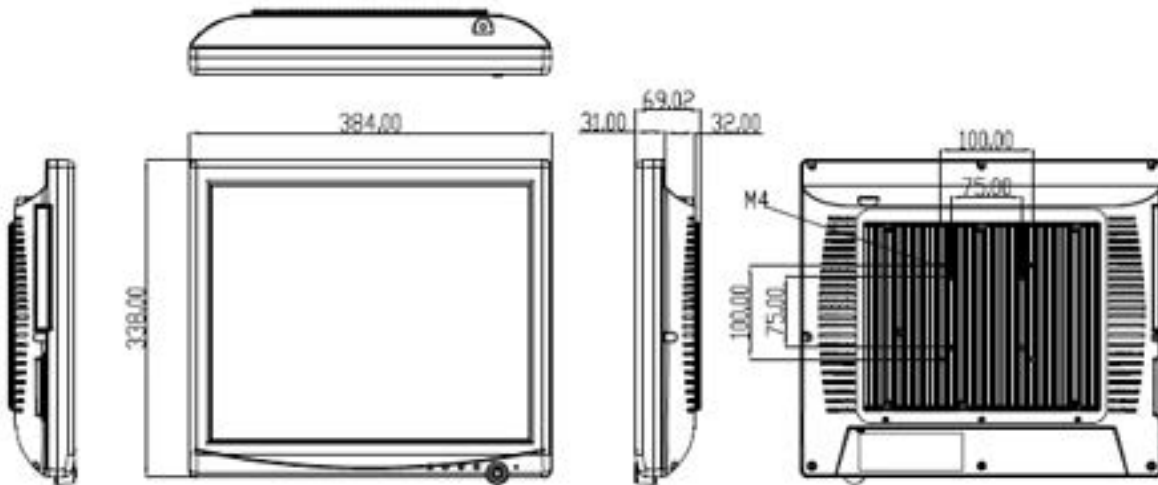
USB	USB 3.1 Gen 1 x4
Serial Port	RS-232 x 1
Ethernet	Gigabit LAN x2 (isolated x1 + non-isolated x1)
Video Out	HDMI 2.0b x 1

### MECHANICAL AND ENVIRONMENTAL

Power Consumption	TBD
Operating Temperature	0°C ~ 40°C(32°F ~ 104°F)
Storage Temperature	-20°C ~ 60°C(-4°F ~ 140°F)
Mounting	VESA 75/100 mm
Degree of Protection	IP65 in the front, IPX1
Dimension	384 x 338 x 69 mm
Package Size	630 x 250 x 640 mm
Gross Weight	9kg (19.84 lb)
Net Weight	5.6kg (12.32lb)
Certifications	CE: EN 60601-1-2:2015(V4.0), EN 60601-1:2006/A1:2013(V3.1) FCC: Part 18 Class B UL: ANSI/AAMI ES60601-1:2012 (V3.1) cUL: CAN/CSA-C22.2 No. 60601-1:2014 (V3.1)

## 17" Fanless Slim Medical All in One PC

## Dimension / Unit: mm



## Ordering Information

- SMA-1733-P1-A1-0010  
Slim Medial AIO, 17" LCD, Resistive Touch, Celeron N6210, DC 12V
- SMA-1733-P2-A1-0010  
Slim Medial AIO, 17" LCD, Resistive Touch, Atom x6211E, DC 12V

## Optional Accessories

- 125530060C  
Medical Power Adapter, 60W, 12V
- OPM-T008-A1  
Smart Card Reader Kit
- OPM-T007-A5  
Slim Slot-in DVD-RW Drive
- OPM-C15W-A12  
WLAN Kit, IEEE 802.11ac+ Bluetooth 5.1

Slim Medical All in One PC

# SMA-1533

15.6" Fanless Slim Medical All in One PC



## Features

- Intel® Celeron N6210 / Atom x6211E Dual Core Processor
- 15.6" High Brightness 300-nit Full HD LCD
- Supports DDR4 SODIMM up to 16GB (optional In-Band ECC support)
- Capacitive Multi-Touch Screen
- Proprietary PCI Express[x1] Interface
- Easy Cleaning Flat Screen
- 4 Programmable Smart Function Keys
- High Speed USB 3.1 Port
- 2.0M Pixels Camera with Mic (optional)
- HDMI 2.0b Port for 2nd Display
- RFID Reader (optional)
- +12V DC input / Power over Ethernet(optional)

## Specifications

### MAIN SPECIFICATIONS

Processor	Intel® Celeron N6210 2.6GHz / Atom x6211E 3.0GHz Dual Core Processor
System Memory	Supports DDR4 3200 SODIMM up to 16GB ( In-Band ECC with Atom x6211E)
Expansion Interface	M.2 2230(E-key) x 1, Proprietary PCIe[x1] x 1
Storage Disk Drive	M.2 2242 SATA SSD x1
Security	RFID Reader (optional)
Wireless Communication	802.11ac/ax(optional) + Bluetooth 5.1/5.3(optional)
Speaker	3W x 2
Function Key	LCD Brightness Up/Down, Touch Screen On/Off
Power Requirement	DC 12V / Power over Ethernet(optional)
OS Support	Windows 10, Windows 11 , Linux

### DISPLAY

Size / Type	15.6" LCD
Max. Resolution	1920 x 1080
Luminance(cd/m2)(TYP)	300 nits
Max. Colors	16.2 M
Viewing Angle	178°(H)/178°(V)
Contrast Ratio	1000:1
Back Light Life Time	> 30,000 hours
Touch Screen	Capacitive Multi-Touch

### I/O

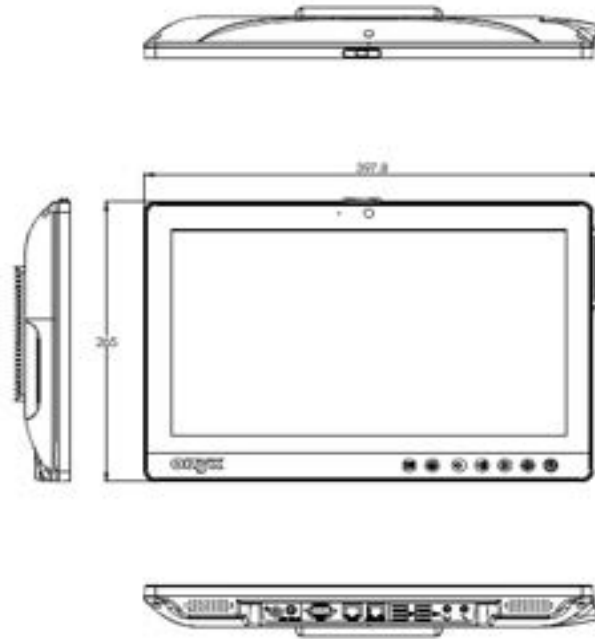
USB	USB 3.1 Gen 1 x4
Serial Port	RS-232 x 1
Ethernet	Gigabit LAN x2 (isolated x1 + non-isolated x1)
Video Out	HDMI 2.0b x 1

### MECHANICAL AND ENVIRONMENTAL

Power Consumption	TBD
Operating Temperature	0°C ~ 40°C(32°F ~ 104°F)
Storage Temperature	-20°C ~ 60°C(-4°F ~ 140°F)
Mounting	VESA 75/100 mm
Degree of Protection	IP65 in the front, IPX1
Dimension	398 x 265 x 47mm
Package Size	721 x 224 x 464mm
Gross Weight	6.5 kg (14.33lb)
Net Weight	2.8 kg (6.2lb)
Certifications	CE: EN 60601-1-2:2015(V4.0), EN 60601-1:2006/A1:2013(V3.1) FCC: Part 18 Class B UL: ANSI/AAMI ES60601-1:2012 (V3.1) CUL: CAN/CSA-C22.2 No. 60601-1:2014 (V3.1)

## 15.6" Fanless Slim Medical All in One PC

**Dimension / Unit: mm**



### Ordering Information

- SMA-1533-P1-A1-0010  
Slim Medial AIO, 15.6" FHD LCD, Capacitive Touch, Celeron N6210, DC 12V
- SMA-1533-P2-A1-0010  
Slim Medial AIO, 15.6" FHD LCD, Capacitive Touch, Atom x6211E, DC 12V

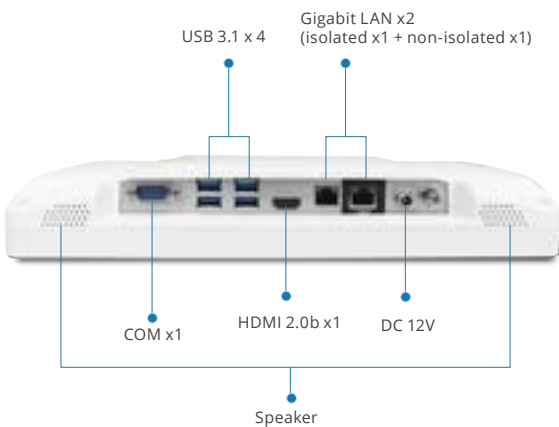
### Optional Accessories

- 125530060C  
Medical Power Adapter, 60W, 12V
- OPM-T011-A1  
2M Pixels Camera with Mic Kit
- OPM-C15W-A5  
WLAN Kit, IEEE 802.11ac + Bluetooth 5.1

Slim Medical All in One PC

# SMA-1233

11.6" Fanless Slim Medical All in One PC



## Features

- Intel® Celeron N6210 / Atom x6211E Dual Core Processor
- 11.6" 250-nit WXGA /300-nit FHD LCD
- Supports DDR4 SODIMM up to 32GB (optional In-Band ECC support)
- Capacitive Multi-Touch Screen
- Proprietary PCI Express[x1] Interface
- Easy Cleaning Flat Screen
- 4 Programmable Smart Function Keys
- High Speed USB 3.1 Port
- 2.0M Pixels Camera with Mic (optional)
- HDMI 2.0b Port for 2nd Display
- RFID Reader (optional)
- +12V DC input / Power over Ethernet(optional)

## Specifications

### MAIN SPECIFICATIONS

Processor	Intel® Celeron N6210 2.6GHz / Atom x6211E 3.0GHz Dual Core Processor
System Memory	Supports DDR4 3200 SODIMM up to 32GB ( In-Band ECC with Atom x6211E)
Expansion Interface	M.2 2230(E-key) x 1, Proprietary PCIe[x1] x 1
Storage Disk Drive	M.2 2242 SATA SSD x1
Security	RFID Reader (optional)
Wireless Communication	802.11ac/ax(optional) + Bluetooth 5.1/5.3(optional)
Speaker	2W x 2
Function Key	LCD Brightness Up/Down, Touch Screen On/Off
Power Requirement	DC 12V / Power over Ethernet 802.3at Type 2 / PoE+ (optional)
OS Support	Windows 10, Windows 11 , Linux

### DISPLAY

Size / Type	11.6" LCD
Max. Resolution	1366 x 768 / 1920 x 1080
Luminance(cd/m2)(TYP)	250 nits / 400 nits
Max. Colors	16.7 M
Viewing Angle	90(H)/60(V) / 178(H)/178(V)
Contrast Ratio	500:1 / 800:1
Back Light Life Time	> 15,000 hours
Touch Screen	Capacitive Multi-Touch

### I/O

USB	USB 3.1 Gen 1 x4
Serial Port	RS-232 x 1
Ethernet	Gigabit LAN x2 (isolated x1 + non-isolated x1)
Video Out	HDMI 2.0b x 1

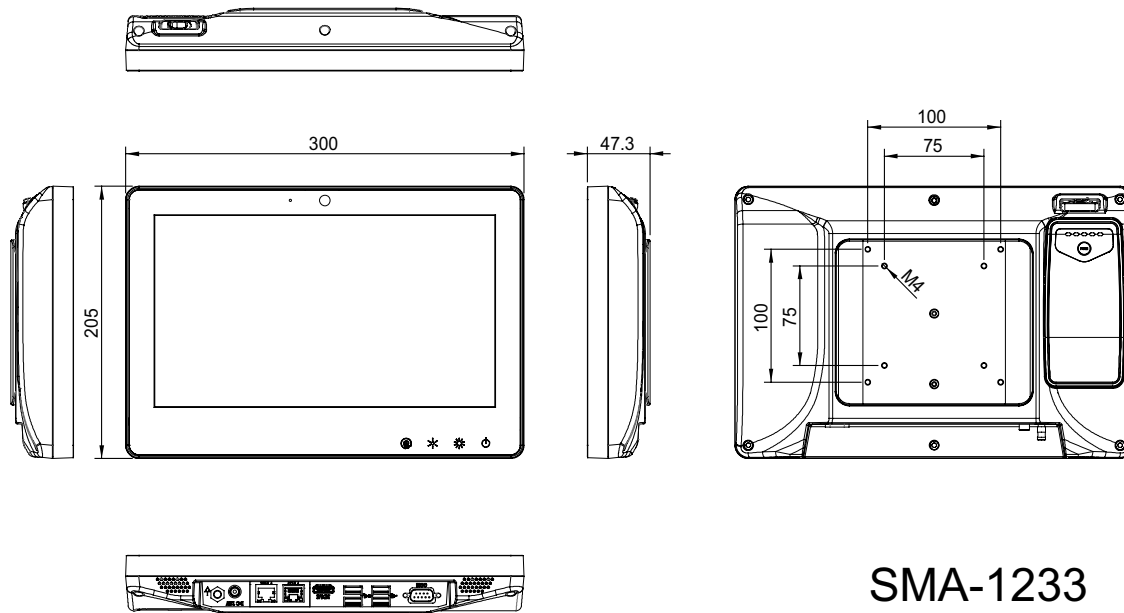
### MECHANICAL AND ENVIRONMENTAL

Power Consumption	Full loading: 28 Watts
Operating Temperature	0°C ~ 40°C(32°F ~ 104°F)
Storage Temperature	-20°C ~ 60°C(-4°F ~ 140°F)
Mounting	VESA 75/100 mm
Degree of Protection	IP65 in the front, IPX1
Dimension	300 x 205 x 47.3 mm
Package Size	540 x 230 x 370 mm
Gross Weight	4kg (8.82lb)
Net Weight	1.5kg (3.3lb)

Certifications	CE: EN 60601-1-2:2015(V4.0), EN 60601-1:2006/A1:2013(V3.1) FCC: Part 18 Class B UL: ANSI/AAMI ES60601-1:2012 (V3.1) cUL: CAN/CSA-C22.2 No. 60601-1:2014 (V3.1)
----------------	---

## 11.6" Fanless Slim Medical All in One PC

### Dimension / Unit: mm



### SMA-1233



### Ordering Information

- **SMA-1233-P1-A1-0010**  
Slim Medial AIO, 11.6" WXGA LCD, Capacitive Touch, Celeron N6210, DC 12V
- **SMA-1233-P1-A2-0010**  
Slim Medial AIO, 11.6" FHD LCD, Capacitive Touch, Celeron N6210, DC 12V
- **SMA-1233-P1-A3-0010**  
Slim Medial AIO, 11.6" WXGA LCD, Capacitive Touch, Celeron N6210, Battery, DC 12V
- **SMA-1233-P1-A4-0010**  
Slim Medial AIO, 11.6" FHD LCD, Capacitive Touch, Celeron N6210, Battery, DC 12V
- **SMA-1233-P1-A5-0010**  
Slim Medial AIO, 11.6" WXGA LCD, Capacitive Touch, Celeron N6210, Power over Ethernet
- **SMA-1233-P1-A6-0010**  
Slim Medial AIO, 11.6" FHD LCD, Capacitive Touch, Celeron N6210, Power over Ethernet
- **SMA-1233-P2-A1-0010**  
Slim Medial AIO, 11.6" WXGA LCD, Capacitive Touch, Atom x6211E, DC 12V
- **SMA-1233-P2-A2-0010**  
Slim Medial AIO, 11.6" FHD LCD, Capacitive Touch, Atom x6211E, DC 12V
- **SMA-1233-P2-A3-0010**  
Slim Medial AIO, 11.6" WXGA LCD, Capacitive Touch, Atom x6211E, Battery, DC 12V
- **SMA-1233-P2-A4-0010**  
Slim Medial AIO, 11.6" FHD LCD, Capacitive Touch, Atom x6211E, Battery, DC 12V
- **SMA-1233-P2-A5-0010**  
Slim Medial AIO, 11.6" WXGA LCD, Capacitive Touch, Atom x6211E, Power over Ethernet
- **SMA-1233-P2-A6-0010**  
Slim Medial AIO, 11.6" FHD LCD, Capacitive Touch, Atom x6211E, Power over Ethernet

### Optional Accessories

- **125530060C**  
Medical Power Adapter, 60W, 12V
- **OPM-T011-A1**  
2M Pixels Camera with Mic Kit
- **OPM-C15W-A4**  
WLAN Kit, IEEE 802.11ac + Bluetooth 5.1



Slim Medical All in One PC

# SMA-1033

10.1" Fanless Slim Medical All in One PC



Webcam w/ Mic (optional)

Function Keys



## Features

- Intel® Celeron N6210 / Atom x6211E Dual Core Processor
- 10.1" 1280x800 LCD
- Supports DDR4 SODIMM up to 16GB (optional In-Band ECC support)
- Capacitive Multi-Touch Screen
- Proprietary PCI Express[x1] Interface
- Easy Cleaning Flat Screen
- 4 Programmable Smart Function Keys
- High Speed USB 3.1 Port
- 2.0M Pixels Camera with Mic (optional)
- HDMI 2.0b Port for 2nd Display
- RFID Reader (optional)
- +12V DC input

## Specifications

### MAIN SPECIFICATIONS

Processor	Intel® Celeron N6210 2.6GHz / Atom x6211E 3.0GHz Dual Core Processor
System Memory	Supports DDR4 3200 SODIMM up to 16GB ( In-Band ECC with Atom x6211E)
Expansion Interface	M.2 2230(E-key) x 1, Proprietary PCIe[x1] x 1
Storage Disk Drive	M.2 2242 SATA SSD x1
Security	RFID Reader (optional)
Wireless Communication	802.11ac/ax(optional) + Bluetooth 5.1/5.3(optional)
Speaker	2W x 2
Function Key	LCD Brightness Up/Down, Touch Screen On/Off
Power Requirement	DC 12V
OS Support	Windows 10, Windows 11 , Linux

### DISPLAY

Size / Type	10.1" LCD
Max. Resolution	1280 x 800
Luminance(cd/m2)(TYP)	400 nits
Viewing Angle	178°(H)/178°(V)
Contrast Ratio	800:1
Back Light Life Time	30,000 hours
Touch Screen	Capacitive Multi-Touch

### I/O

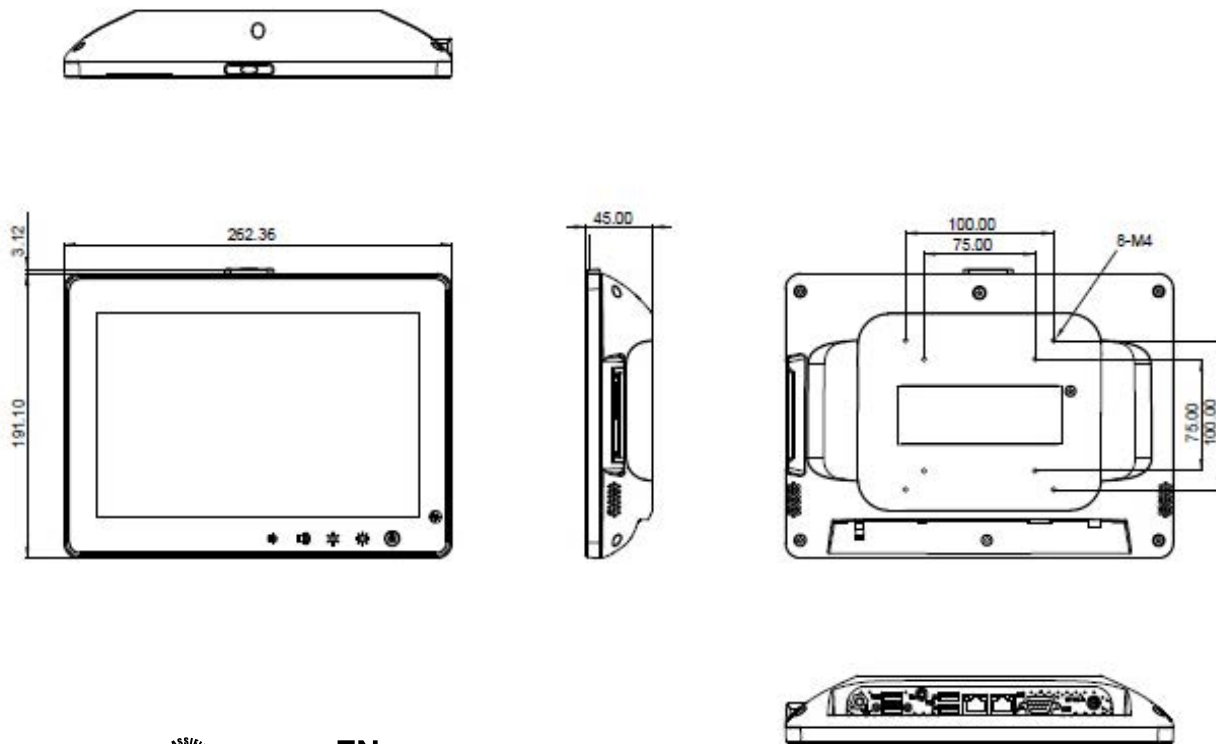
USB	USB 3.1 Gen 1 x4
Serial Port	RS-232 x 1
Ethernet	Gigabit LAN x2 (isolated x1 + non-isolated x1)
Video Out	HDMI 2.0b x 1

### MECHANICAL AND ENVIRONMENTAL

Power Consumption	TBD
Operating Temperature	0°C ~ 40°C(32°F ~ 104°F)
Storage Temperature	-20°C ~ 60°C(-4°F ~ 140°F)
Mounting	VESA 75/100 mm
Degree of Protection	IP65 in the front, IPX1
Dimension	262 x 191 x 45 mm
Package Size	402 x 190 x 335 mm
Gross Weight	3.7kg (8.2lb)
Net Weight	1.2kg (2.6lb)

## 10.1" Fanless Slim Medical All in One PC

### Dimension / Unit: mm



### Ordering Information

- SMA-1033-P1-A1-0010  
Slim Medial AIO, 10.1" LCD, Capacitive Touch, Celeron N6210, DC 12V
- SMA-1033-P2-A1-0010  
Slim Medial AIO, 10.1" LCD, Capacitive Touch, Atom x6211E, DC 12V

### Optional Accessories

- 125530060C  
Medical Power Adapter, 60W, 12V
- OPM-C15W-A4  
WLAN Kit, IEEE 802.11a/b/g/n + Bluetooth 4.0
- OPM-T010-A2  
Smart Card Reader Kit
- OPM-T011-A2  
2M Pixels Camera with Mic Kit

# POWERFUL MEDICAL ALL IN ONE PC

Medical AIO is a highly cost effective solution. Intel Core i7 processor, up to 64GB DDR4 and capacitive multi-touch screen enhance the efficiency of hospital applications. Fanless design keeps environment quiet and reduces the effort in cleaning. With one PCI Express[x1] or [x4]slot, any standard PCI Express[x1] or [x4] card such as isolated RS-232 card and video capture card can be installed to enhance functionality



## Key Features

- ◆ 19"/22"/24"LCD with capacitive multi-touch
- ◆ Trusted Platform Module , RFID Reader and Smart Card Reader for Security Enhancement
- ◆ One PCI Express Slot
- ◆ +12V DC / 100~240V AC input
- ◆ Fanless Design for Quiet and Easy Maintenance
- ◆ Reading Light

## INTEL® CORE PLATFORM FOR CRITICAL APPLICATIONS

Medical AIO offer ultra high performance Intel® Core processor.



### SUPER 3.0 FOR USB, SATA AND PCI-E

Still looking for a faster solution to upload or download medical records?! Zeus comes with latest high speed I/O design (USB3.0, SATA3.0, PCI-E3.0). Super 3.0 gives ten times data rate than before.



### TRIPLE ISOLATION PROTECTION TO PATIENT

Medical isolation rating is 4kV rms (IEC 60601-1), which is crucial to protect patients, operators and medical equipment from harmful surges or spikes in the electrical signal. Medical AIO offers optional COM port, USB port isolation. We set the highest standard for patient and medical uses.



### QUIET, CLEAN & EASY TO MAINTAIN

Slim Medical Panel PCs utilize a large fanless heatsink on the back cover to efficiently dissipate heat generated from the processor and chipset. The Fanless cooling design keeps the environment quiet, clean and lowers maintenance efforts.



### DUAL ANTENNAS WITH BEST WLAN PERFORMANCE

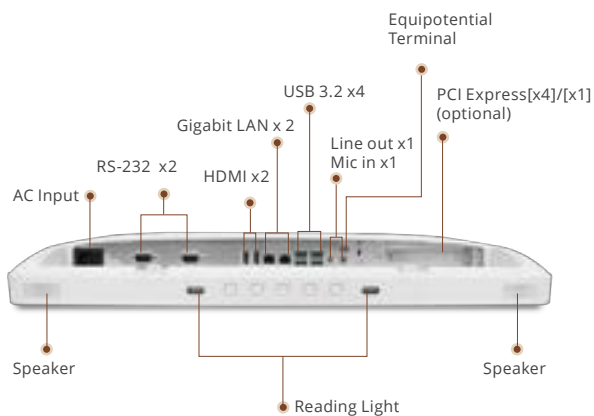
With two antennas built into the Slim Medical Panel PCs, massive medical records and PACS images can be transferred through IEEE 802.11ac/a/b/g/n wireless LAN up to 1.73G bps/sec.



Powerful Medical All in One PC

# MATE2-2412

24" Fanless 13th Generation Core i9 Powerful Medical All in One PC



## Features

- Intel® 13th Generation Core™ i9/ i7/ i5 /i3 Processor
- Supports Dual Channel DDR5 5600/4800 SODIMM up to 64GB
- 24" Full HD Wide Viewing Angle LCD
- Capacitive Multi-Touch Screen
- Two Gigabit Ethernet
- High Speed USB 3.2 Gen2 Ports
- RS-232 x 2
- 8MP Camera with Mic (optional)
- PCI Express [x4] / [x1] x1 (optional)
- Imprivata RFID Reader (optional)
- Reading Light

## Specifications

### MAIN SPECIFICATIONS

Processor	Intel 13th Generation Core i9-13900TE 24 Cores 5.00GHz Intel 13th Generation Core i7-13700TE 16 Cores 4.80GHz Intel 13th Generation Core i5-13500TE 14 Cores 4.50GHz Intel 13th Generation Core i3-13100TE 4 Cores 4.10GHz
System Memory	Supports Dual Channel DDR5 5600/ 4800 SODIMM up to 64GB
Expansion Interface	PCI Express[x4]/[x1] x1 (optional)
OS Support	Windows® 10, Windows® 11, Linux®
Storage Disk Drive	M.2 2280 SATA SSD x 1 2.5" SATA Hard Disk Drive/SSD x 1 (optional)
Security	Trusted Platform Module 2.0 , Imprivata RFID Reader (optional)
Wireless Communication	802.11 ac/a/b/g/n(optional), 802.11 ax (optional), Bluetooth 5 (optional)
Speaker	2W x 2
Function Key	LCD Brightness Up/Down, Touch Screen On/Off, Reading Light On/Off
Power Requirement	AC 100~240V / DC 12V/24V

### DISPLAY

Size	24" LCD
Resolution	1920 x 1080
Luminance	250 nits
View Angle	178°(H)/178°(V)
Contrast Ratio	3000:1
Back Light Life Time	30,000 Hours
Touch Screen	Capacitive Multi-Touch

### I/O

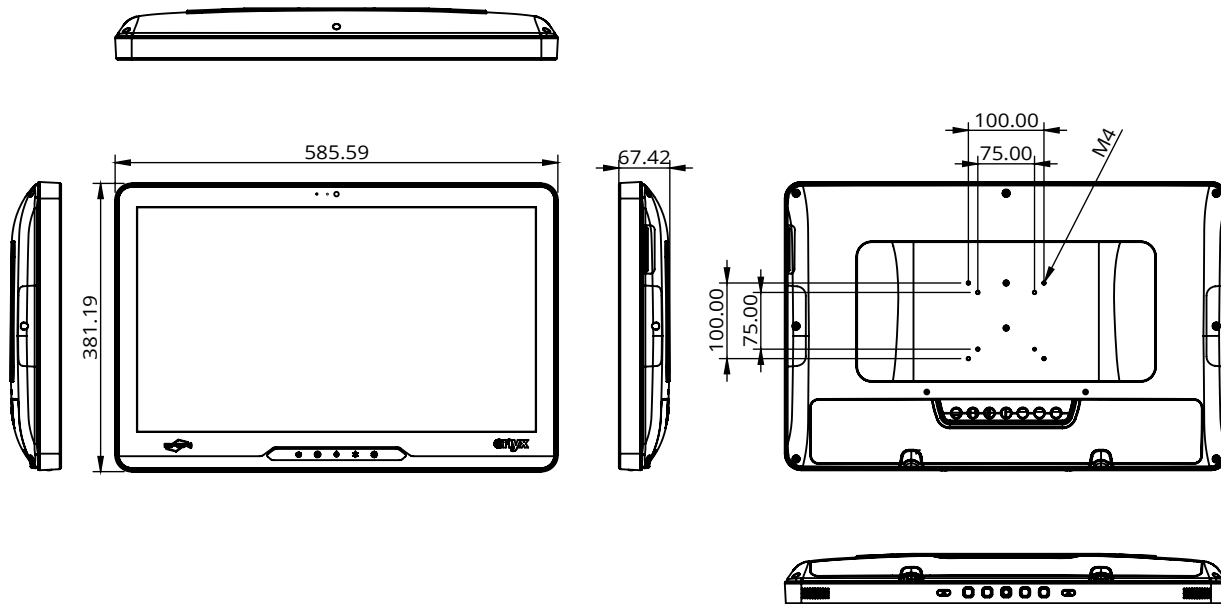
USB	USB 3.2 Gen 2 x 2 ,USB 3.2 Gen1 x2
Serial Port	RS-232 x 2 or x1 ( When backup battery is installed)
Ethernet	1.5KV Isolated Gigabit LAN x 2
Video Out	HDMI 2.0 x 2 (Supports resolution up to 3840 x 2160)
Audio	Mic-in, Line-out

### MECHANICAL AND ENVIRONMENTAL

Operating Temperature	0°C ~ 35°C(32°F ~ 95°F)
Storage Temperature	-20°C ~ 60°C(-4°F ~ 140°F)
Mounting VESA	75/100 mm
Degree of Protection	IP65 in the front ; IP54 in the back
Dimension	586 x 381 x 67mm
Package Size	755 x 195 x 528mm
Gross Weight	14 kg (30.86 lb)
Net Weight	8.7 kg(19.2 lb)
Certifications	CE: EN 60601-1-2:2015(V4.0), EN 60601-1:2006/A1:2013(V3.1) FCC: Part 18 Class B UL: ANSI/AAMI ES60601-1:2012 (V3.1) cUL: CAN/CSA-C22.2 No. 60601-1:2014 (V3.1)

## 24" Fanless 13th Generation Core i9 Powerful Medical All in One PC

### Dimension / Unit: mm



### Ordering Information

- **MATE2-2412-P1-A1-0010**  
Medical Panel PC, 24" LCD, Capacitive Touch, i9-13900TE, AC 100~240V
- **MATE2-2412-P2-A1-0010**  
Medical Panel PC, 24" LCD, Capacitive Touch, i7-13700TE, AC 100~240V
- **MATE2-2412-P3-A1-0010**  
Medical Panel PC, 24" LCD, Capacitive Touch, i5-13500TE, AC 100~240V
- **MATE2-2412-P4-A1-0010**  
Medical Panel PC, 24" LCD, Capacitive Touch, i3-13100TE, AC 100~240V
- **MATE2-2412-P1-A2-0010**  
Medical Panel PC, 24" LCD, Capacitive Touch, i9-13900TE, RFID Reader, AC 100~240V
- **MATE2-2412-P2-A2-0010**  
Medical Panel PC, 24" LCD, Capacitive Touch, i7-13700TE, RFID Reader, AC 100~240V
- **MATE2-2412-P3-A2-0010**  
Medical Panel PC, 24" LCD, Capacitive Touch, i5-13500TE, RFID Reader, AC 100~240V
- **MATE2-2412-P4-A2-0010**  
Medical Panel PC, 24" LCD, Capacitive Touch, i3-13100TE, RFID Reader, AC 100~240V

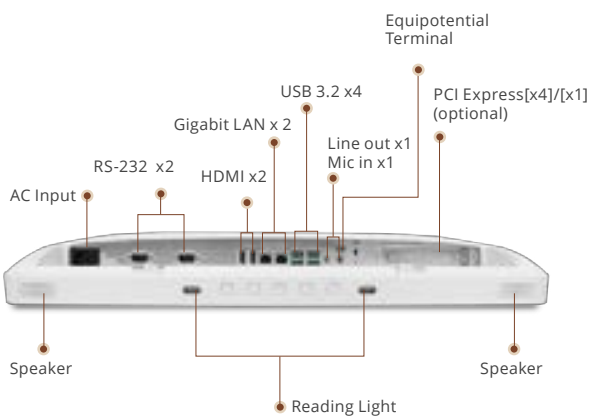
### Optional Accessories



Powerful Medical All in One PC

# MATE2-2212

22" Fanless 13th Generation Core i9 Powerful Medical All in One PC



## Features

- Intel® 13th Generation Core™ i9/ i7/ i5 /i3 Processor
- Supports Dual Channel DDR5 5600/ 4800 SODIMM up to 64GB
- 22" Full HD Wide Viewing Angle LCD
- Capacitive Multi-Touch Screen
- Two Gigabit Ethernet
- High Speed USB 3.2 Gen2 Ports
- RS-232 x 2
- 8MP Camera with Mic (optional)
- PCI Express [x4] / [x1] x1 (optional)
- Imprivata RFID Reader (optional)
- Reading Light

## Specifications

### MAIN SPECIFICATIONS

Processor	Intel 13th Generation Core i9-13900TE 24 Cores 5.00GHz Intel 13th Generation Core i7-13700TE 16 Cores 4.80GHz Intel 13th Generation Core i5-13500TE 14 Cores 4.50GHz Intel 13th Generation Core i3-13100TE 4 Cores 4.10GHz
System Memory	Supports Dual Channel DDR5 5600/ 4800 SODIMM up to 64GB
Expansion Interface	PCI Express[x4]/[x1] x1 (optional)
OS Support	Windows® 10, Windows® 11, Linux®
Storage Disk Drive	M.2 2280 SATA SSD x 1 2.5" SATA Hard Disk Drive/SSD x 1 (optional)
Security	Trusted Platform Module 2.0 , Imprivata RFID Reader (optional)
Wireless Communication	802.11 ac/a/b/g/n(optional), 802.11 ax (optional), Bluetooth 5 (optional)
Speaker	2W x 2
Function Key	LCD Brightness Up/Down, Touch Screen On/Off, Reading Light On/Off
Power Requirement	AC 100~240V / DC 12V/24V

### DISPLAY

Size	22" LCD
Resolution	1920 x 1080
Luminance	250 nits
View Angle	178°(H)/178°(V)
Contrast Ratio	1000:1
Back Light Life Time	50,000 Hours
Touch Screen	Capacitive Multi-Touch

### I/O

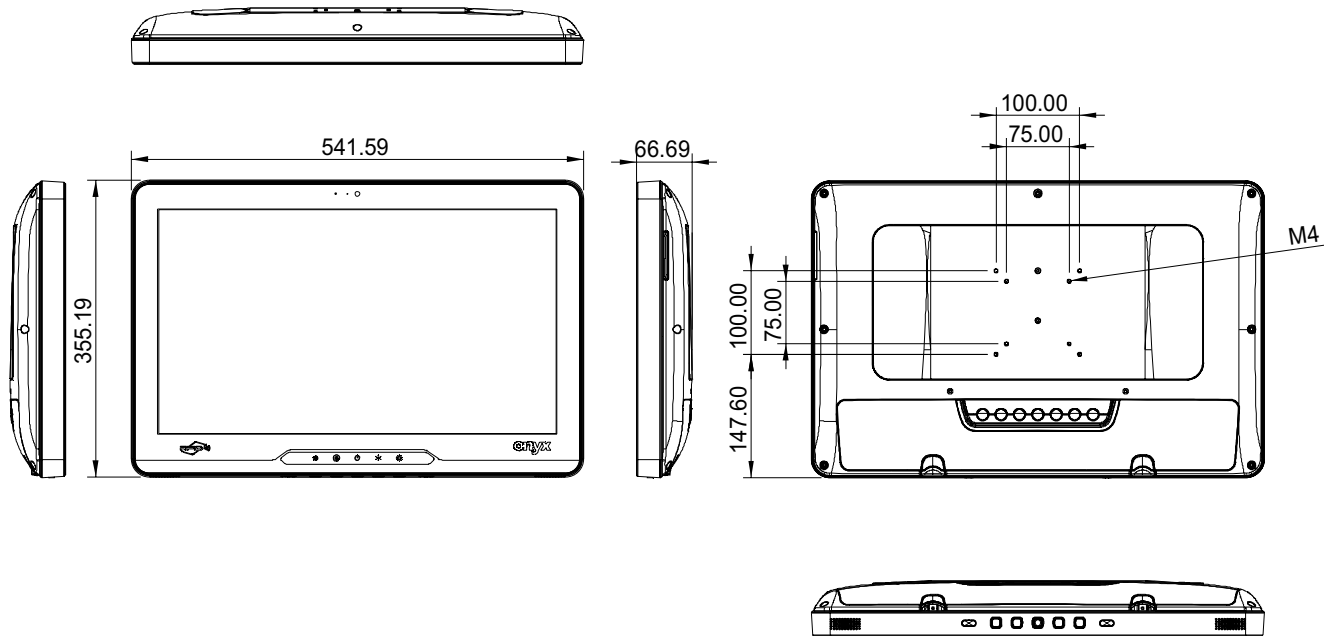
USB	USB 3.2 Gen 2 x 2 ,USB 3.2 Gen1 x2
Serial Port	RS-232 x 2 or x1 ( When backup battery is installed)
Ethernet	1.5KV Isolated Gigabit LAN x 2
Video Out	HDMI 2.0 x 2 (Supports resolution up to 3840 x 2160)
Audio	Mic-in, Line-out

### MECHANICAL AND ENVIRONMENTAL

Operating Temperature	0°C ~ 35°C(32°F ~ 95°F)
Storage Temperature	-20°C ~ 60°C(-4°F ~ 140°F)
Mounting VESA	75/100 mm
Degree of Protection	IP65 in the front ; IP54 in the back
Dimension	542 x 355 x 67mm
Package Size	711 x 195 x 503mm
Gross Weight	11 kg (24.25 lb)
Net Weight	7.5 kg(16.5 lb)
Certifications	CE: EN 60601-1-2:2015(V4.0), EN 60601-1:2006/A1:2013(V3.1) FCC: Part 18 Class B UL: ANSI/AAMI ES60601-1:2012 (V3.1) cUL: CAN/CSA-C22.2 No. 60601-1:2014 (V3.1)

## 22" Fanless 13th Generation Core i9 Powerful Medical All in One PC

### Dimension / Unit: mm



### Ordering Information

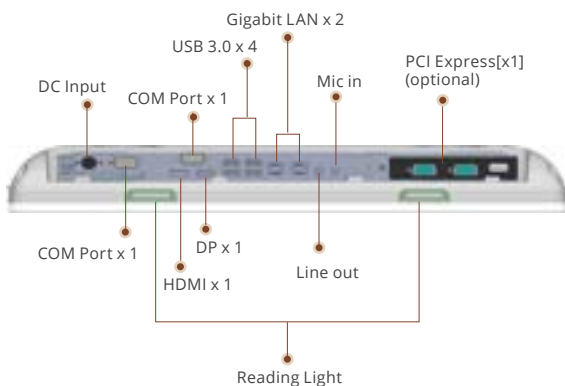
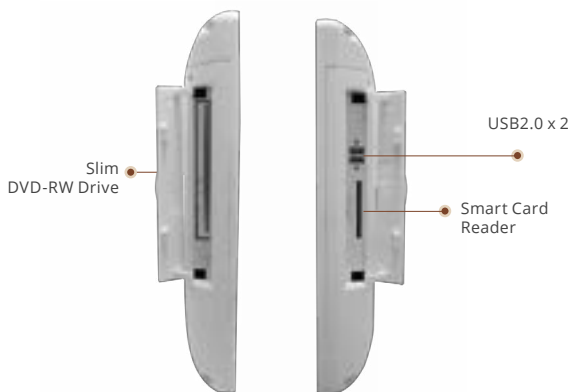
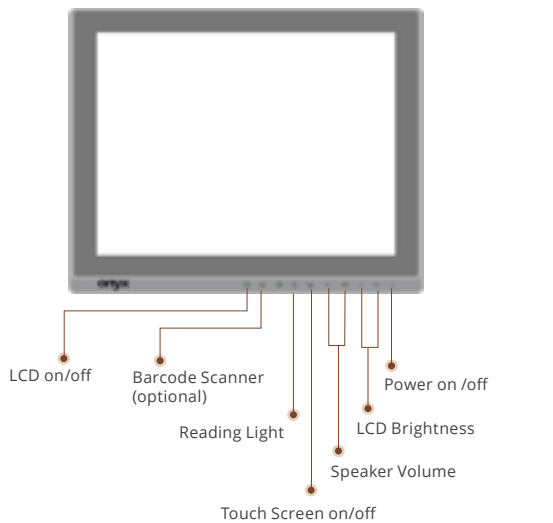
- MATE2-2212-P1-A1-0010  
Medical Panel PC, 22" LCD, Capacitive Touch, i9-13900TE, AC 100~240V
- MATE2-2212-P2-A1-0010  
Medical Panel PC, 22" LCD, Capacitive Touch, i7-13700TE, AC 100~240V
- MATE2-2212-P3-A1-0010  
Medical Panel PC, 22" LCD, Capacitive Touch, i5-13500TE, AC 100~240V
- MATE2-2212-P4-A1-0010  
Medical Panel PC, 22" LCD, Capacitive Touch, i3-13100TE, AC 100~240V
- MATE2-2212-P1-A2-0010  
Medical Panel PC, 22" LCD, Capacitive Touch, i9-13900TE, RFID Reader, AC 100~240V
- MATE2-2212-P2-A2-0010  
Medical Panel PC, 22" LCD, Capacitive Touch, i7-13700TE, RFID Reader, AC 100~240V
- MATE2-2212-P3-A2-0010  
Medical Panel PC, 22" LCD, Capacitive Touch, i5-13500TE, RFID Reader, AC 100~240V
- MATE2-2212-P4-A2-0010  
Medical Panel PC, 22" LCD, Capacitive Touch, i3-13100TE, RFID Reader, AC 100~240V

### Optional Accessories

Powerful Medical All in One PC

# MATE-1903

19" Fanless 6th Generation Core i7 Powerful Medical All in One PC



## Features

- Intel® 6th Generation Core™ i7/ i5 / i3 Processor
- Intel® H110 Chipset
- Supports Dual Channel DDR4 2133 SODIMM up to 32GB
- 19" SXGA LCD with LED Backlight
- Capacitive Multi-Touch Screen
- Two Gigabit Ethernet
- High Speed USB 3.0 Ports
- RS-232 x 2
- PCI-Express x [1] x 1 (optional)
- 25Wh Backup Battery (optional)

## Specifications

### MAIN SPECIFICATIONS

Processor	Intel® 6th Generation Core i7 / i5 / i3 Processor
System Memory	Supports Dual Channel DDR4 2133 SODIMM up to 32GB
Chipset	Intel® H110
OS Support	Windows® 7, Windows® 10, Linux®
Storage Disk Drive	2.5" SATA Hard Disk Drive/SSD x 1 Slim DVD-RW Drive x 1 (optional)
Security	Trusted Platform Module, RFID Reader (optional) Smart Card Reader x 1 (optional)
Wireless Communication	802.11ac, Bluetooth 5.1 (optional)
Speaker	5W x 2
Function Key	Speaker Volume Up/Down, LCD Brightness Up/Down LCD On/Off, Touch Screen On/Off, Reading Light On/Off
Power Requirement	DC 12V / DC 24V when backup battery is installed

### DISPLAY

Size / Type	19" TN LCD
Max. Resolution	1280 x 1024
Luminance(cd/m2)(TYP)	250 nits
Viewing Angle	170°(H)/160°(V)
Contrast Ratio	1000:1
Back Light Life Time	30,000 Hours
Touch Screen	Capacitive Multi-Touch Screen

### I/O

USB	USB 3.0 x 4, USB 2.0 x 2
Serial Port	RS-232 x 2
Ethernet	1.5KV Isolated Gigabit LAN x 2
Video Out	Display Port 1.2 x1, HDMI 1.4 x 1 (Supports resolution up to 3840 x 2160)
Audio	Mic-in, Line-out

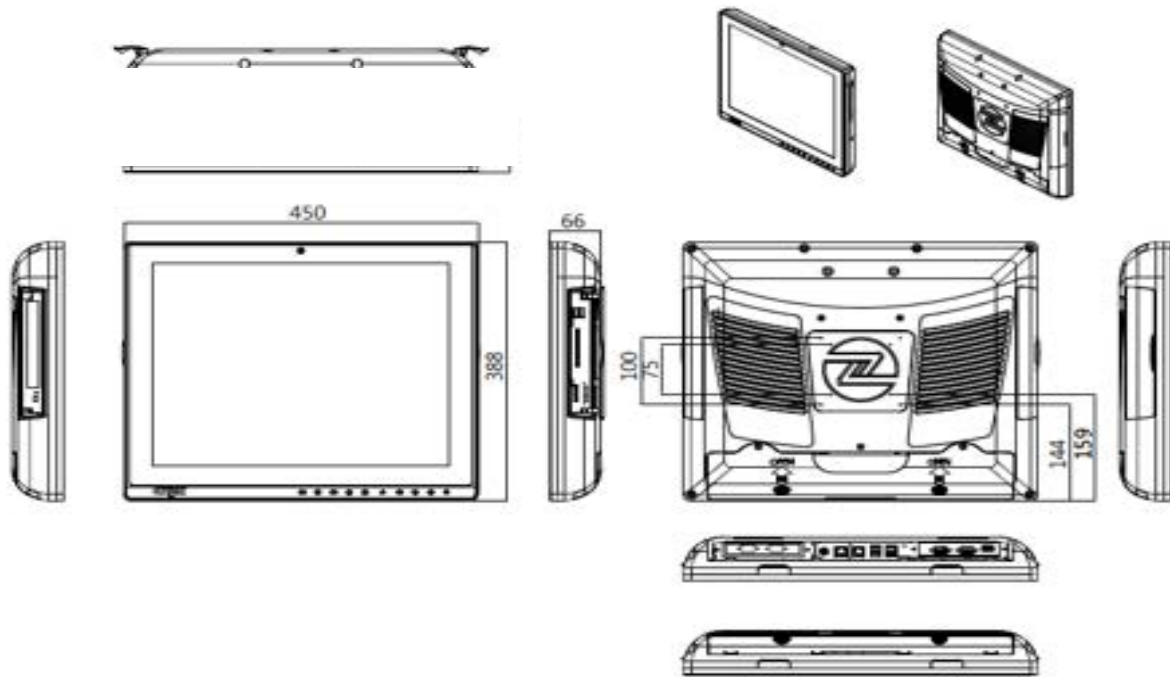
### Mechanical and Environmental

Operating Temperature	0°C ~ 35°C(32°F ~ 95°F)
Storage Temperature	-20°C ~ 60°C(-4°F ~ 140°F)
Mounting VESA	75/100 mm
Degree of Protection	IP65 in the front ; IP54 in the back
Dimension	450 x 388 x 66 mm
Package Size	640 x 220 x 520mm
Gross Weight	11 kg (24.25 lb)
Net Weight	7.5kg (16.53b)

Certifications	CE: EN 60601-1-2:2015(V4.0), EN 60601-1:2006/A1:2013(V3.1) FCC: Part 18 Class B UL: ANSI/AAMI ES60601-1:2012 (V3.1) cUL: CAN/CSA-C22.2 No. 60601-1:2014 (V3.1)
----------------	--

## 19" Fanless 6th Generation Core i7 Powerful Medical All in One PC

### Dimension / Unit: mm



### Ordering Information

- MATE-1903ST-A11-1010  
Medical Panel PC, 19" LCD, i7, DC 12V, Capacitive Touch
- MATE-1903ST-A12-1010  
Medical Panel PC, 19" LCD, i5, DC 12V, Capacitive Touch

### Optional Accessories

- 1255301204  
Medical Power Adapter, 120W, 12V
- 1255301206  
Medical Power Adapter, 120W, 24V
- OPM-T006-A2  
Smart Card Reader Kit
- OPM-T013-A2  
Slim Slot-in DVD-RW Drive
- OPM-C15W-A2  
WLAN Kit, IEEE 802.11ac + Bluetooth 5.1
- OPM-R03X-A1  
PCI Express[x1] Riser Kit
- OPM-S07R-A1  
RFID Reader Kit
- OPM-C02C-A1  
Two Isolated RS-232 & One Isolated USB 2.0 PCIe Card
- OPM-C02C-A2  
Two Isolated RS-232 PCIe Card
- OPM-T017-A4  
Hot Swap Rack w/Lock Kit for 2.5" HDD/SSD
- OPM-P09C-A4  
25Wh Backup Battery

# MEDICA DISPLAY FOR MEDICAL DEVICE

## Worldwide Medical Safety Standard Approval

All display meets the strictest medical, safety and EMC emissions standards including CE/FCC Class B Passed 18, EN 60601-1:2006

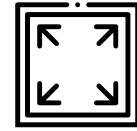


## Key Features

- ◆ 15"~32" Medical Grade Display
- ◆ Touch function support
- ◆ Low power consumption with LED back light panel

## SMALL TO LARGE LCD DISPLAY CHOICES

The Onyx slim display offers many LCD sizes to fulfill various requirements. 15" (1024 x768), 15.6" (1920x1080), 21.5" (1920x1080), 23.8" (1920x1080), 27" (1920 X 1080)



## FRABJOUS TOUCH EXPERIENCE

PCT multi-touch touchscreen solution can also be operated with gloved fingers and bare fingers alike.



## GREEN AND LOW POWER CONSUMPTION

LED( light emitting diodes) backlighting technology, which offer the advantages over CCFL LCDs of reduced power consumption, better contrast, brightness and color range.



## LONG TERM PRODUCT LIFE TIME SUPPORT

ONYX provides stable and long term support to our customers. Customers could focus on business promotion and product development.



## FLEXIBILITY FOR CUSTOMIZATION REQUEST TO MEDICAL EQUIPMENT

Still couldn't find the perfect match to your request? Don't worry about it. ONYX could base your demand to provide the best solution.

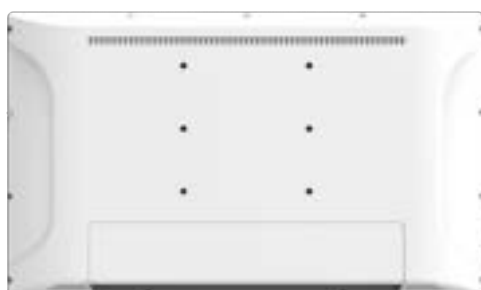




Medica Display for Medical Device

# MEDDP-632

32" 4K-UHD Medical LCD Monitor



## Features

- 32" Display with UHD 4K (3840 x 2160) native resolution
- Thin and compact design with impact resistant screen
- Fanless and ventless design, easy-to-clean
- Wide view angle 178°(H)/178°(V)
- True Flat Screen with PCT Touch
- Physical bottom OSD Design

## Specifications

### DISPLAY

Size	32"
Resolution	3840x2160 pixels
Max. Colors	1.07B Colors
Brightness (Typ.)	350 nits
Viewing Angle (CR=10)(Typ.)	178°(H)/178°(V)
Contrast Ratio (Typ.)	1000:1
Touch Screen	Projected Capacitive Multi Touch Screen

### SYSTEM

OS Support	Windows® 7, Windows® 10
------------	-------------------------

### I/O

Input Signal	Audio-in x 1, Dual DVI x 1, DP 1.2 x 1, VGA x 1, 3G SDI x 1, HDMI 1.4 x 1, HDMI 2.0 x 1
Output Signal	DP 1.2 x 1 (Multi-Stream Transport), 3G SDI x 1 (Loop Through, support 1080P), Audio Out x 1, 5V/ 1A out x x
USB Port	USB 2.0 x 1
Serial Port	RS-232 x 1
GPIO	RJ-11 x 1
Speaker	Built in 5W speaker x 2

### MECHANICAL AND ENVIRONMENTAL

Power Consumption	55 W typical
Operating Temperature	0°C to 35°C
Storage Temperature	-20°C to 60 °C
Storage Humidity	10% to 90% RH, noncondensing
VESA	100mm x 200mm and 200mm x 200mm
IP Rating	Front IP65
Power Requirement	External power adapter, AC IN: 100 ~ 240V, 24V
Dimension	799 x 478 x 63.7 mm
Package Size	980x260x700mm
Gross Weight	13.2 Kg
Net Weight	11.6 Kg
Certifications	CE: EN 60601-1-2:2015(V4.0), EN 60601-1:2006/A1:2013/A12:2014 (V3.1) FCC: Part 18 Class B

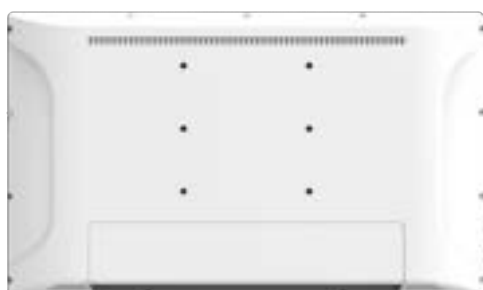
## Ordering Information

- MEDDP-632-P1-A1-0010  
32" 4K UHD.350nits LCD Monitor.3G SDIx1,VGAx1,HDMIx2,DVix1,DPx1.P-CAP.Med Adapter, Power cord

Medica Display for Medical Device

# MEDDP-632F

32" Full-UHD Medical LCD Monitor



## Features

- 32" Display with Full HD (1920 x 1080) native resolution
- Thin and compact design with impact resistant screen
- Fanless and ventless design, easy-to-clean
- Wide view angle 178°(H)/178°(V)
- True Flat Screen with PCT Touch
- Physical bottom OSD Design

## Specifications

### DISPLAY

Size	32"
Resolution	1920 x 1080 pixels
Max. Colors	16.7M Colors
Brightness (Typ.)	400 nits
Viewing Angle (CR=10)(Typ.)	178°(H)/178°(V)
Contrast Ratio (Typ.)	4000:1
Touch Screen	Projected Capacitive Multi Touch Screen

### SYSTEM

OS Support	Windows® 7, Windows® 10
------------	-------------------------

### I/O

Input Signal	VGA x 1, HDMI 1.4 x 1
USB Port	USB 2.0 x 1 for Touch Screen
Speaker	Built in 5W speaker x 2

### MECHANICAL AND ENVIRONMENTAL

Operating Temperature	0°C to 35°C
Storage Temperature	-20°C to 60 °C
Storage Humidity	10% to 90% RH, noncondensing
VESA	100mm x 200mm and 200mm x 200mm
IP Rating	Front IP65
Power Requirement	External power adapter, AC IN: 100 ~ 240V, 12V
Dimension	799 x 478 x 63.7 mm
Package Size	980x260x700mm
Gross Weight	12.3 Kg
Net Weight	11.1 Kg
Certifications	CE: EN 60601-1-2:2015(V4.0), EN 60601-1:2006/A1:2013/A12:2014 (V3.1) FCC: Part 18 Class B

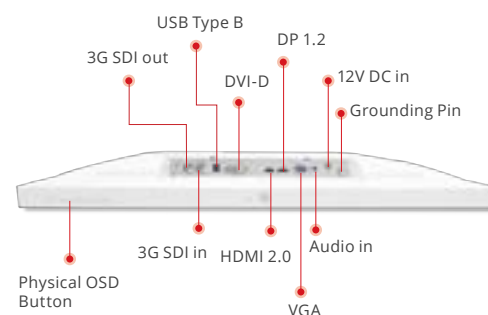
## Ordering Information

- MEDDP-632F-P1-A1-0010  
32" FHD.400nits LCD Monitor..HDMI x1, VGA x1.P-CAP.Med Adapter, Power cord

# Medica Display for Medical Device

## MEDDP-727

27" Slim 4K Medical Display



### Features

- 27" LCD Panel with 3840 x 2160 resolution
- High Brightness 500nits
- Compact and Slim Design
- DVI-Dx 1, HDMI x 1, DPx1, VGA x 1, 3G SDI in and out x 1
- True Flat Screen with Capacitive Touch
- 10W Speaker built-in x 2
- Physical OSD key button
- Support optional RFID, Camera, DICOM

### Specifications

#### DISPLAY

Size	27"
Resolution	3840 x 2160 pixels
Max. Colors	1.07B colors
Brightness (Typ.)	500 nits
Viewing Angle (CR=10)(Typ.)	178°(H)/178°(V)
Contrast Ratio (Typ.)	1000:1
Touch Screen	Projected Capacitive Multi Touch Screen

#### SYSTEM

OS Support	Windows® 10, Windows 11
------------	-------------------------

#### I/O

Input Signal	VGA x 1, DVI-D x 1, HDMI 2.0 x 1, Display 1.2 x 1, 3G SDI x 1
Output Signal	3G SDI x 1
USB Port	USB 2.0 Type B x 1 for Touch Screen
Speaker	Built in 10W speaker x 2
Audio	Line-in x 1
Power	DC 12V Input x 1
Functional	Grounding Pin x 1

#### MECHANICAL AND ENVIRONMENTAL

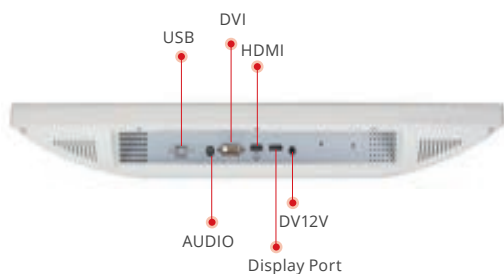
VESA	100mm x 200mm, 100mm x 100mm
Power Requirement	External power adapter, AC IN: 100 ~ 240V, 12V
Operating Temperature	0°C ~ 35°C (32°F ~ 95°F)
Storage Temperature	-20°C ~ 60°C (-4°F ~ 140°F)
Storage Humidity	10% to 90% RH, noncondensing
Dimension	773mm x 297mm x 596mm
Packing Size	657mm x 62mm x 400mm
Gross Weight	12.34kg
Net Weight	8.1kg

Certifications	CE: EN 60601-1-2:2015(V4.0), EN 60601-1:2006/A1:2013/A12:2014 (V3.1) FCC: Part 18 Class B
----------------	--

Medica Display for Medical Device

# MEDDP-627

27" Slim Medical Display



## Features

- 27" LCD Panel with LED Backlight
- Compact and Terse Design
- DVI x 1, HDMI x 1, DP x 1
- Wide view angle 178° (H)/178° (V)
- True Flat Screen with PCT Touch
- Invisible OSD Design
- Low Power Consumption
- DICOM as optional

## Specifications

### DISPLAY

Size	27"
Resolution	Full HD 1920 x 1080
Max. Colors	16.7M
Brightness (Typ.)	350 nits
Viewing Angle (CR=10)(Typ.)	178°(H)/178°(V)
Contrast Ratio (Typ.)	3000:1
Touch Screen	Projective capacitive touch screen (optional)

### SYSTEM

OS Support	Windows® XP, Windows® 7, Windows® 10
DICOM Support	Optional

### I/O

Audio	Audio-in x 1
Serial Port	USB x 1 for touch controller
Signal	DVI x 1, HDMI x 1, DP x 1
Speaker	2.5W speaker x 2 on back side

### MECHANICAL AND ENVIRONMENTAL

Power Consumption	Full Loading: 38.5Watts
VESA	100 x 100mm & 100 x 200mm
Power Requirement	DC12V / 5A power input
Operating Temperature	5°C ~ 40°C (41°F ~ 104°F)
Storage Temperature	-10°C ~ 60°C (14°F ~ 140°F)
Storage Humidity	10%~90%@35°C, non-condensing
IP rating	IP22
Dimension	637.8 x 378.2 x 62.5 mm
Packing Size	730 x 300 x 560 mm
Gross Weight	10.4kg (22.93lb)
Net Weight	6.6kg (14.55lb)
Certifications	CE: EN 60601-1-2:2015(V4.0), EN 60601-1:2006/A1:2013/A12:2014(V3.1) FCC: Part 18 Class B

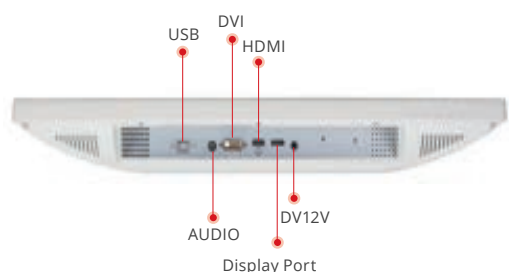
## Ordering Information

- **MEDDP-627HNN-A1-1010**  
27" LCD Monitor. 300 nits, DVI-Dx1. HDMI x1. DP x1. DC 12V Adapter
- **MEDDP-627HPN-A1-1010**  
27" LCD Monitor. 300 nits, P-CAP Touch, DVI-Dx1. HDMI x1. DP x1. DC 12V Adapter
- **MEDDP-627TND-A1-1010**  
27" LCD Monitor. 300 nits, DVI-Dx1. HDMI x1. DP x1. DC 12V Adapter, DICOM
- **MEDDP-627TPD-A1-1010**  
27" LCD Monitor. 300 nits, P-CAP Touch, DVI-Dx1. HDMI x1. DP x1. DC 12V Adapter, DICOM

Medica Display for Medical Device

# MEDDP-624

24" Slim Medical Display



## Features

- 23.8" LCD Panel with LEDBacklight
- Compact and Terse Design
- DVI x 1, HDMI x 1, DPx1
- True Flat Screen with PCT Touch
- Invisible OSD Design
- Low Power Consumption
- Audio -2 x built-in

## Specifications

### DISPLAY

Size	23.8"
Resolution	Full HD 1920 x 1080
Max. Colors	16.7M
Brightness (Typ.)	400nits
Viewing Angle (CR=10)(Typ.)	89°(H)/89°(V)
Contrast Ratio (Typ.)	1000:1
Touch Screen	Projective capacitive touch screen (optional)
IP Grade	IP 22

### SYSTEM

OS Support	Windows® XP, Windows® 7, Windows® 10
DICOM Support	Optional

### I/O

Audio	Audio-in x 2
Serial Port	USB x 1 for touch controller
Signal	DVIx 1, HDMI x 1, DP x1
Speaker	2W speaker x 2 on back side

### MECHANICAL AND ENVIRONMENTAL

Power Consumption	Full Loading:36.7Watts
VESA	100 x 100mm & 100 x 200mm
Power Requirement	DC12V / 5A power input
Operating Temperature	5°C ~ 40°C(41°F ~ 104°F)
Storage Temperature	-10°C ~ 60°C(14°F ~ 140°F)
Storage Humidity	10%~90%@35°C, non-condensing
Dimension	576 x 344.3 x 62.1 mm
Packing Size	645 x 545 x 295 mm
Gross Weight	8.6kg (19lb)
Net Weight	6.4kg (14.11lb)
Certifications	CE: EN 60601-1-2:2015(V4.0), EN 60601-1:2006/ A1:2013/A12:2014(V3.1) FCC: Part 18 Class B

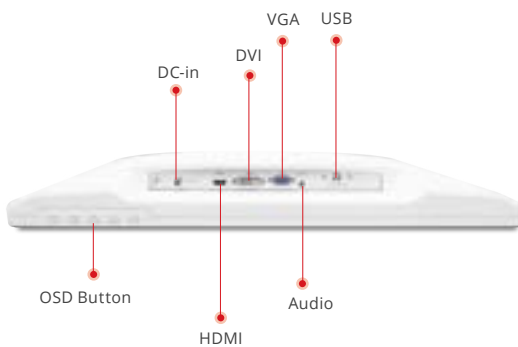
## Ordering Information

- **MEDDP-624HNN-A1-1010**  
23.8" LCD Monitor.400 nits,DVI-Dx1.HDMIx1.DPx1.DC 12V Adapter
- **MEDDP-624HPN-A1-1010**  
23.8" LCD Monitor.400 nits, P-CAP Touch,DVI-Dx1.HDMIx1.DPx1.DC 12V Adapter
- **MEDDP-624TND-A1-1010**  
23.8" LCD Monitor.400 nits,DVI-Dx1.HDMIx1.DPx1.DC 12V Adapter, DICOM
- **MEDDP-624TPD-A1-1010**  
23.8" LCD Monitor.400 nits, P-CAP Touch, DVI-Dx1.HDMIx1.DPx1.DC 12V Adapter, DICOM

Medica Display for Medical Device

# MEDDP-822

22" Slim Medical Display



## Features

- 21.5" LCD Panel with LED Backlight
- High Brightness 500nits
- Compact and TerseDesign
- DVI x 1, HDMI x 1, DPx1
- True Flat Screen with Capacitive Touch
- Speaker built-in x 2
- Physical OSD key button

## Specifications

### DISPLAY

Size	21.5"
Resolution	1920 x 1080 pixels
Max. Colors	16.7M
Brightness (Typ.)	500 nits
Viewing Angle (CR=10)(Typ.)	178°(H)/178°(V)
Contrast Ratio (Typ.)	1000:1
Touch Screen	Projected Capacitive Multi Touch Screen

### SYSTEM

OS Support	Windows® 10
------------	-------------

### I/O

Input Signal	VGA x 1, DVI-D x 1 ,HDMI x 1
USB Port	USB 2.0 x 1 for Touch Screen
Speaker	Built in 5W speaker x 2
Audio	Line-in x 1
Power	DC 12V Input x 1

### MECHANICAL AND ENVIRONMENTAL

VESA	75 x 75mm & 100 x 100mm
IP Rating	Front IP65, Back cover IPX1
Power Requirement	External power adapter, AC IN: 100 ~ 240V,12V
Operating Temperature	0°C ~ 35°C(32°F ~ 95°F)
Storage Temperature	-20°C ~ 60°C(-4°F ~ 140°F)
Storage Humidity	10% to 90% RH, noncondensing
Dimension	526 x 324 x 54mm
Packing Size	640 x 470 x 210mm
Gross Weight	6.8kg
Net Weight	5.0kg
Certifications	CE: EN 60601-1-2:2015(V4.0), EN 60601-1:2006/A1:2013/A12:2014 (V3.1) FCC: Part 18 Class B UL: ANSI/AAMI ES60601-1:2012 (V3.1) cUL: CAN/CSA-C22.2 No. 60601-1:2014 (V3.1)

## Ordering Information

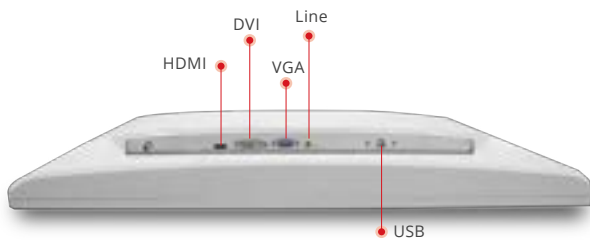
- **MEDDP-822-G1-A1-0010**  
Monitor. 22".500 nits.DC 12V.Glass.HDMI cable.Medical Adapter
- **MEDDP-822-P1-A1-0010**  
Monitor. 22".500 nits.DC 12V.P-CAP.HDMI cable.Medical Adapter



Medica Display for Medical Device

# MEDDP-722

22" Slim Medical Display



## Features

- 21.5" LCD Panel with LED Backlight
- Compact and TerseDesign
- DVI x 1, HDMI x 1, DPx1
- True Flat Screen with Capacitive Touch
- Speaker -2 x built-in
- Support 2M Camera

## Specifications

### DISPLAY

Size	21.5"
Resolution	Full HD 1920 x 1080
Max. Colors	16.7M
Brightness (Typ.)	250 nits
Viewing Angle (CR=10)(Typ.)	178°(H)/178°(V)
Contrast Ratio (Typ.)	3000:1
Touch Screen	Projective capacitive touch screen (optional)

### SYSTEM

OS Support	Windows® 7, Windows® 10
Webcam	2MP

### I/O

Video Input	DVIx 1, HDMI x 1, VGA x1
Audio	Audio-in x 1
USB	USB x 1 for touch controller
Speaker	5W speaker x 2 on back side

### MECHANICAL AND ENVIRONMENTAL

VESA	75/100 mm VESA mount
Power Requirement	DC12V
Power Consumption	Full Loading :28.7Watts
Operating Temperature	5°C ~ 40°C(41°F ~ 104°F)
Storage Temperature	-10°C ~ 60°C(14°F ~ 140°F)
Storage Humidity	10%~90%@35°C, non-condensing
IP Rating	Protection: front IP54 - rear IPX1
Dimension	546 x 351 x 56 mm
Packing Size	570 x 478 x 260 mm
Gross Weight	8.4kg (18.51lb)
Net Weight	5.7kg (12.56lb)
Certifications	CE: EN 60601-1-2:2015(V4.0), EN 60601-1:2006/ A1:2013/A12:2014(V3.1) FCC: Part 18 Class B

## Optional Accessories

- 125530036A  
(AOH)(TF)Medical Power Adaptor.AC/DC.100 ~ 240V.12V.3A.36W.Adapter. ATM036T-P120(Level VI)
- 1700252001  
(AOH)(TF)DVI-D Cable.(24+1)P DVI (M).(24+1)P DVI (M).200cm
- 1704191800  
(AOH)(TF)HDMI Cable.HDMI 19P(F) Molding.HDMI 19P(M) Molding.180cm
- 1704151800  
(AOH)(TF)VGA Cable.D-Sub 15P(M) Molding.D-Sub 15P(M) Molding.180cm
- 1700031802  
AOH)(TF)Aidio Cable.3.5mm 3Pole Stereo Plug(Black).3.5mm 3Pole Stereo Plug(Green).180cm

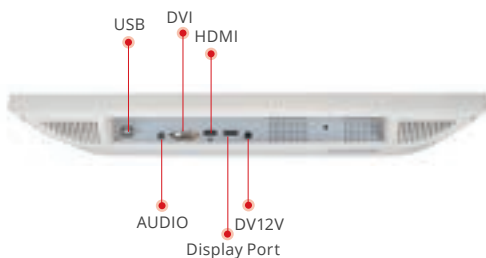
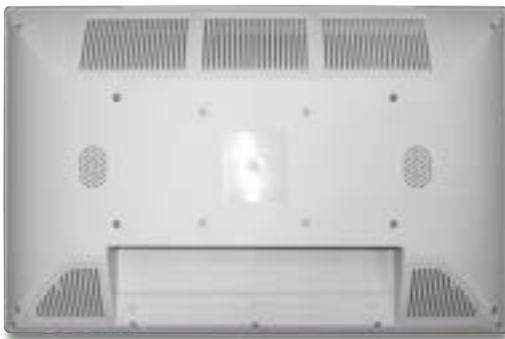
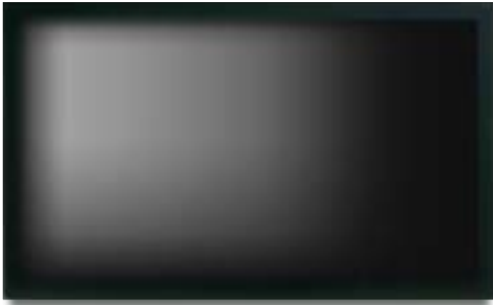
## Ordering Information

- MEDDP-722-G1-A1-0010  
Monitor. 22".250 nits.DC 12V.Glass
- MEDDP-722-G1-A2-0010  
Monitor. 22".250 nits.DC 12V.Glass.2M Camera
- MEDDP-722-P1-A1-0010  
Monitor. 22".250 nits.DC 12V.PCT
- MEDDP-722-P2-A1-0010  
Monitor. 22".250 nits.DC 12V.PCT.2M Camera

Medica Display for Medical Device

# MEDDP-622

22" Slim Medical Display



## Features

- 21.5" LCD Panel with LED Backlight
- Compact and TerseDesign
- DVI x 1, HDMI x 1, DPx1
- True Flat Screen with Capacitive Touch
- Invisible OSD Design
- Speaker -2 x built-in

## Specifications

### DISPLAY

Size	21.5"
Resolution	Full HD 1920 x 1080
Max. Colors	16.7M
Brightness (Typ.)	350 nits
Viewing Angle (CR=10)(Typ.)	178°(H)/178°(V)
Contrast Ratio (Typ.)	1000:1
Touch Screen	Projective capacitive touch screen (optional)
IP Grade	IP 22

### SYSTEM

OS Support	Windows® XP, Windows® 7, Windows® 10
DICOM Support	Optional

### I/O

Audio	Audio-in x 1
Serial Port	USB x 1 for touch controller
Signal	DVIx 1, HDMI x 1, DP x 1
Speaker	2W speaker x 2 on back side

### MECHANICAL AND ENVIRONMENTAL

Power Consumption	Full Loading :28.7Watts
VESA	100 x 100mm & 100 x 200mm
Power Requirement	DC12V
Operating Temperature	5°C ~ 40°C(41°F ~ 104°F)
Storage Temperature	-10°C ~ 60°C(14°F ~ 140°F)
Storage Humidity	10%~90%@35°C, non-condensing
Dimension	526 x 321 x 57 mm
Packing Size	570 x 478 x 260 mm
Gross Weight	8.4kg (18.51lb)
Net Weight	5.7kg (12.56lb)
Certifications	CE: EN 60601-1-2:2015(V4.0), EN 60601-1:2006/ A1:2013/A12:2014(V3.1) FCC: Part 18 Class B

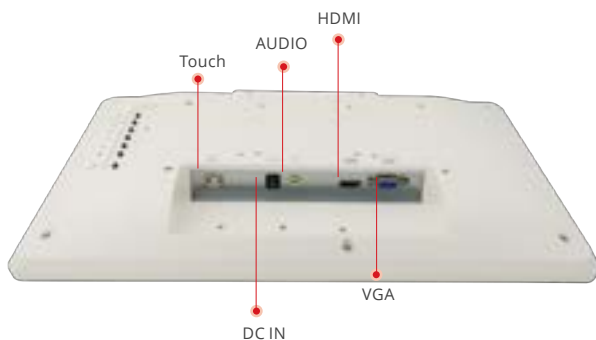
## Ordering Information

- **MEDDP-622HNN-A1-1010**  
21.5" LCD Monitor.350 nits,DVI-Dx1.HDMIx1.DPx1.DC 12V Adapter
- **MEDDP-622HPN-A1-1010**  
21.5" LCD Monitor.350 nits, P-CAP Touch,DVI-Dx1.HDMIx1.DPx1.DC 12V Adapter
- **MEDDP-622TND-A1-1010**  
21.5" LCD Monitor.350 nits,DVI-Dx1.HDMIx1.DPx1.DC 12V Adapter, DICOM
- **MEDDP-622TPD-A1-1010**  
21.5" LCD Monitor.350 nits, P-CAP Touch, DVI-Dx1.HDMIx1.DPx1.DC 12V Adapter, DICOM

Medica Display for Medical Device

# MEDDP-615

15.6" Slim Medical Display



## Features

- 15.6" 1920 x 1080 Resolution Display
- Projected Capacitive Multi-touch
- VGA input and HDMI input
- Stylish and elegant design

## Specifications

### DISPLAY

Size	15.6"
Resolution	Full HD 1920 x 1080
Max. Colors	16.7M
Brightness (Typ.)	300 nits
Viewing Angle (CR=10)(Typ.)	85°(H)/85°(V)
Contrast Ratio (Typ.)	700:1
Touch Screen	Projective capacitive touch screen

### SYSTEM

OS Support	Windows® XP, Windows® 7, Windows® 10
------------	--------------------------------------

### I/O

Audio	Audio-in x 1
Serial Port	USB x 1 for touch controller
Signal	VGA x 1, HDMI x 1
Speaker	1 W speaker x 2 on back side

### MECHANICAL AND ENVIRONMENTAL

Power Consumption	Full Loading :24.37Watts
VESA	75 x 75mm & 100 x 100mm
Power Requirement	DC12V / 5A power input
Operating Temperature	5°C ~ 40°C(41°F ~ 104°F)
Storage Temperature	-10°C ~ 60°C(14°F ~ 140°F)
Storage Humidity	10%~90%@35°C, non-condensing
Dimension	387.8 x 232.9 x 38.4 mm
Packing Size	425.3 x 269.2 x 45.6 mm
Gross Weight	6.5 kg (14.33lb)
Net Weight	2.8 kg (6.2lb)

Certifications	CE: EN 60601-1-2:2015(V4.0), EN 60950-1 EN 60601-1:2006/A1:2013/A12:2014 (V3.1) EN 62366:2007 + A1:2014 (V1.1) FCC: Part 18 Class B, Part 15 Class B UL: ANSI/AAMI ES60601-1:2012 (V3.1) cUL: CAN/CSA-C22.2 No. 60601-1:2014 (V3.1)
----------------	--

## Ordering Information

- MEDDP-615HPN-A1-1010  
15.6" LCD Monitor.300 nits.P-CAP touch,VGAx1.HDMIx1.DC 12V Adapter

Medica Display for Medical Device

# MEDDP-415

15" Slim Medical Display



## Features

- 15 " 1024 x 768 Resolution Display
- P-cap touch
- Stylish And Elegant Design

## Specifications

### DISPLAY

Size	15"
Resolution	1024 x 768
Max. Colors	16.2M
Brightness (Typ.)	300 nits
Viewing Angle (CR=10)(Typ.)	80°(H)/80°(V)
Contrast Ratio (Typ.)	700:1
Touch Screen	P-cap Touch, Protective Glass

### SYSTEM

OS Support	Windows®XP, Windows® 7, Windows® 10
------------	-------------------------------------

### I/O

Audio	Audio-in x 1
Serial Port	USB x 1 for touch controller
Signal	VGA x 1, HDMI x 1
Speaker	1 W speaker x 2 on backside

### MECHANICAL AND ENVIRONMENTAL

Power Consumption	Full Loading:24.3.7Watts
VESA	75 x 75mm & 100 x 100mm
Power Requirement	DC12V / 5A power input
Operating Temperature	5°C ~ 40°C(41°F ~ 104°F)
Storage Temperature	-10°C ~ 60°C(14°F ~ 140°F)
Storage Humidity	10%~90%@35°C, non-condensing
Dimension	352.5x 276.1 x 45.0 mm
Packing Size	402.5x 326.1 x 80.0 mm
Gross Weight	3.7 kg (8.16lb)
Net Weight	2.6kg (5.73 lb)
Certifications	CE: EN 60601-1-2:2015(V4.0) EN 60601-1:2006 / A1:2013(V3.1) FCC: Part 18 Class B, Part 15 Class B

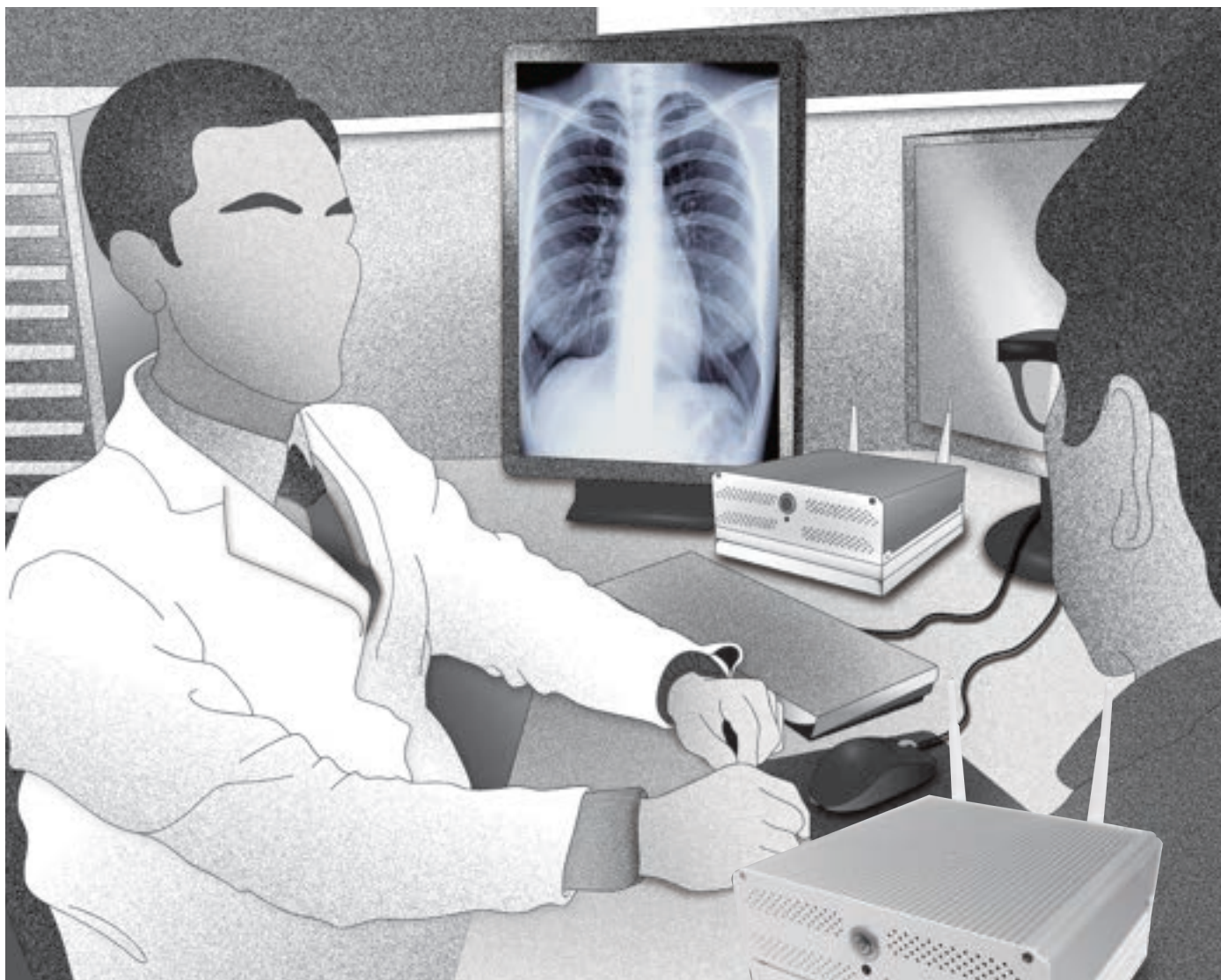
## Ordering Information

- MEDDP-415HNN-A1-1010  
15" LCD Monitor.300 nits.VGAX1.HDMIx1.DC 12V Adapter
- MEDDP-415HPN-A1-1010  
15" LCD Monitor.300 nits, P-CAP touch.VGAX1.HDMIx1.DC 12V Adapter

# MEDICAL COMPUTER FOR MEDICAL DEVICE

## Dependable, Ready to Use Platform for Medical Equipment & OEM/ODM

MEDPC series is designed to achieve the high requirements of Hospital IT field and medical task that a hospital has. It is fanless design ensures that it will be quiet, and stop infection spreading from hiding in the fan. It has wide selections of up-to-date upgrades, and it has 5-7 lifecycle. Best of all, this Medical Grade Computer is already medical certified just like all of our products.



## Key Features

- ◆ Medical certification with high performance CPU
- ◆ Fanless design and no bacterial infection concern
- ◆ Flexible function extension ability
- ◆ Different options for different purpose



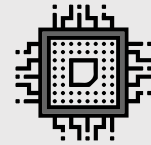
## READY-TO-USE MEDICAL CERTIFIED PLATFORM

MEDPC is certified with EN 60601-1, UL 60601-1, FCC & CE Class B regulation. Detailed ISO 13485 and 14971 Risk Management Control guarantee product quality.



## LATEST/CURRENT OFF-THE-SHELF PROCESSOR

From Intel® Quad Core i7, to Atom™ series, you can choose the best processor for the system. No matter for imaging capturing, data analyzing, photo viewing, or just EMR storage, you can always find right chipset.



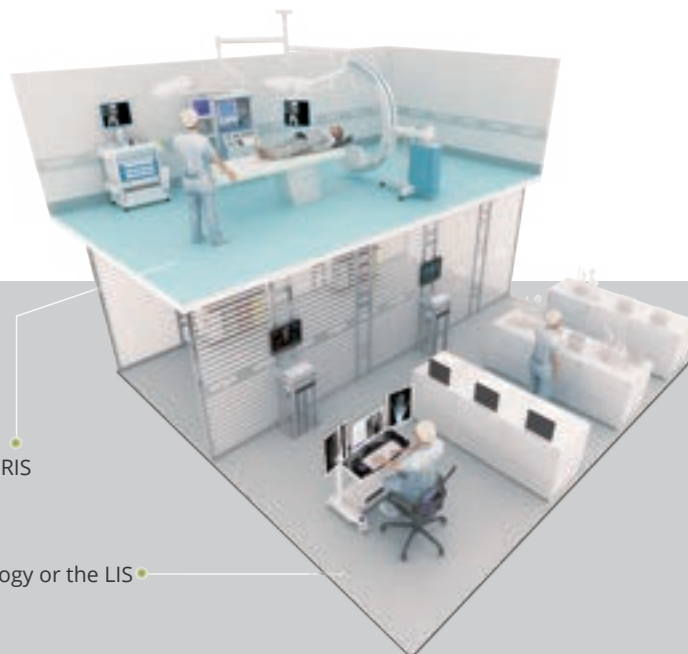
## UNIQUE MEDICAL DEVICE FUNCTIONS

MedPC products with IP-X1 enclosure are easy to clean with detergent and water splitting proof. Isolated IO interfaces like Ethernet, COM and USB let system connect to other medical device or accessories risk free.



## 5-7 YEAR LONGEVITY LIFECYCLE SUPPORT

Your time and efforts can now focus on business promotions and product development. A careful design and vendor approval approach as well as scheduled reviews, minimizes unwelcome surprises during the product life cycle.



Biotechnology / Lab



HIS / NIS



RIS



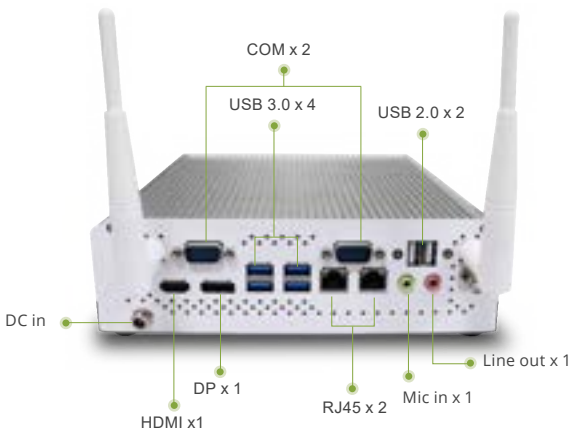
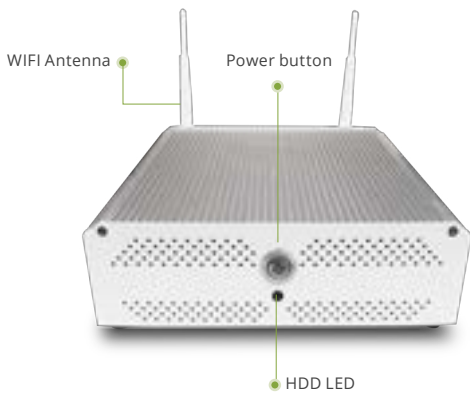
Pharmaceutical



Medical Computer for Medical Device

# MEDPC-9200

High Performance Medical Grade PC with Intel® 6th Generation Core™ iSeries



## Features

- Intel® 6/7th Generation Core i, Processor
- Supports DDR4 up to 32GB
- Extension area: PCI-Express [x1] x 1(optional)
- Two Independent , Display: DP/HDMI
- Supports TPM 2.0
- Modularize Design
- Support Inte Modivus AI card

## Application

- HIS, LIS, RIS
- Pharmaceutical industry
- Biotech Lab
- Signage in hospital
- Equipment control

## Specifications

### MAIN SPECIFICATIONS

Processor	Intel® 7th/6th Generation Core™ i7/i5/i3
System Memory	Supports Dual Channel DDR4 SODIMM up to 32 GB
OS Support	Windows® 7, Windows® 8, Windows® 10, Linux®
Extension area	PCI-Express [x1] x 1(optional)
Storage Disk Drive	2.5" SATA SSD x 1
Security	TPM 2.0
Power Requirement	DC 12V

### I/O

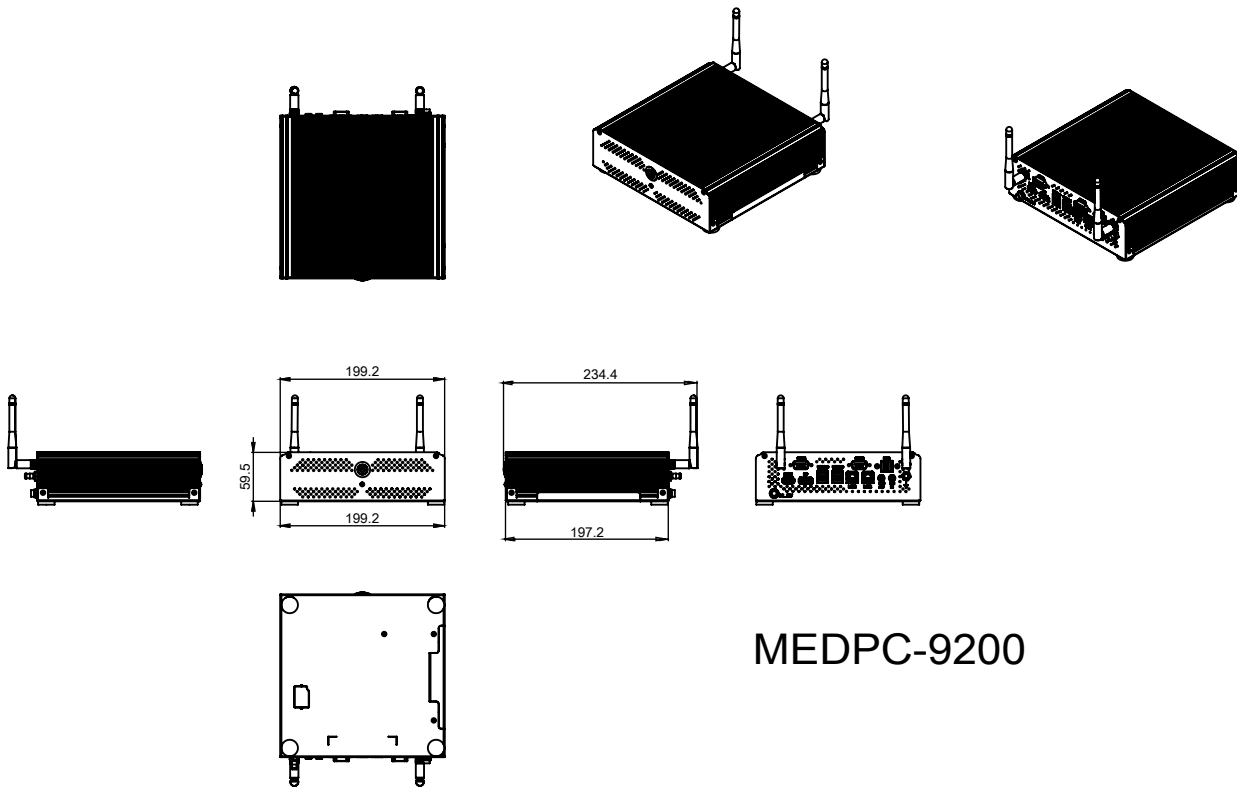
USB	USB 3.0 x 4 , USB 2.0 x 2
Serial Port	RS-232 x 2
Ethernet	Gigabit LAN x 2
Video Out	Display Port x 1 (Support up to 1920 x 1200 @60 Hz) , HDMI 1.4 x 1
Audio	Mic-in, Line-out

### MECHANICAL AND ENVIRONMENTAL

Operating Temperature	0°C ~ 40°C(32°F ~ 104°F)
Storage Temperature	-20°C ~ 60°C(-4°F ~ 140°F)
Dimension	197 x 197 x 59.5 mm for main layer 197 x 197 x 44 mm for extension layers
Package Size	300 x 280 x 95 mm
Gross Weight	3.3 kg (7.25 lb) in the single layer, 4.0 kg (7.25 lb) in two layer
Net Weight	2.5 kg in the single layer, 3.7 kg in two layers
Certifications	CE: EN 60601-1-2:2015(V4.0), EN 60601-1:2006/A1:2013/A12:2014 (V3.1) FCC: Part 18 Class B UL: ANSI/AAMI ES60601-1:2012 (V3.1) cUL: CAN/CSA-C22.2 No. 60601-1:2014 (V3.1)

## High Performance Medical Grade PC with Intel® 6th Generation Core™ iSeries

### Dimension / Unit: mm



MEDPC-9200



### Ordering Information

- MEDPC-9200-N1-A1-0010  
Medical Box PC.i7-6700TE.Fanless.DC 12V
- MEDPC-9200-N2-A1-0010  
Medical Box PC.i5-6500TE.Fanless.DC 12V

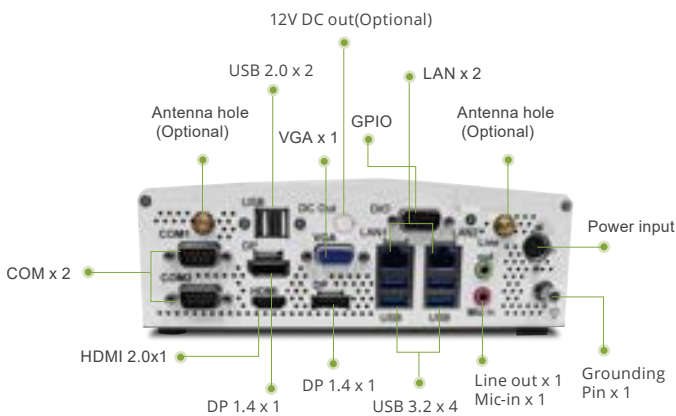
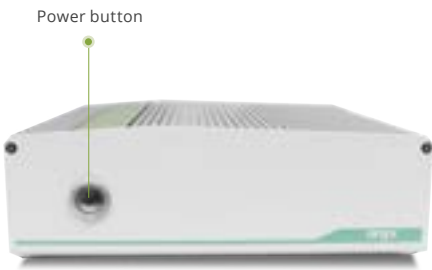
### Optional Accessories

- 1255300907  
(AOH)(TF) Power Adapter.100-240Vac.50/60Hz.1.5A..12Vdc.7.5A.90W.FSP.FSP090M-RHA(w/Lock)
- OPM-C16W-A7  
WLAN Kit.802.11a/b/g/n w/BT 4.0.Atheros AR5B22
- M92-SEC-A1  
MEDPC-9200.extension area with PCIe[x1] riser
- OPM-T029-A0  
Intel modivius AI card for MEDPC-9200
- OPM-C15W-A7  
WLAN Kit.802.11a/b/g/n/ac BT 5.0 Intel AC9260

Medical Computer for Medical Device

# MEDPC-9210

High Performance Medical Grade PC with Intel® 13th Generation Core™ iSeries



## Features

- Intel® 13th generation Core i3/i5/i7/i9 Processor
- Supports DDR4 DIMM up to 64GB memory
- Support VESA Mounting and Vertical Stand
- Support TPM 2.0 for security management
- Support USB 3.2 Gen 2 Type A x 4 and USB 2.0 x 2
- Support Optional DC Output
- Optional second layer extension box design
- Support Dual M.2 SSD NVMe Slot
- Support Built in speaker (optional)

## Application

- Equipment control
- Video recording in OR room

## Specifications

### MAIN SPECIFICATIONS

Processor	Intel® 13th generation Core I Processor
System Memory	Supports DDR4 3200 SO-DIMM x 2 up to 64GB
OS Support	Windows® 10 and 11, Linux (optional)
Storage	M.2 M Key PCIe SSD x 2
Storage Disk Drive	2.5" SATA SSD x 1
Security	TPM 2.0
Speaker (Optional)	Built in Speaker

### I/O

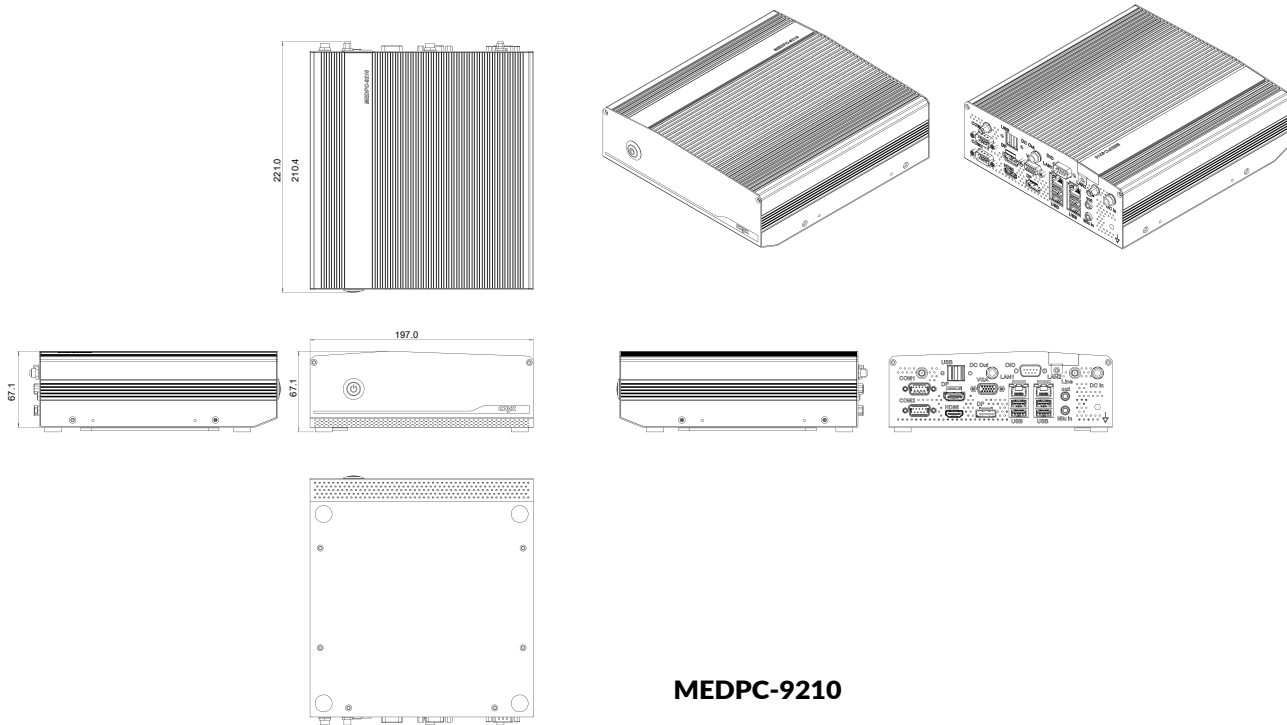
USB	USB 3.2 Gen 2 x 4, USB 2.0 x 2
Serial Port	RS-232 x 2
Display output	DP 1.4 x 2, HDMI 2.0 x 1, VGA x 1
Ethernet	Gigabit LAN x 2
Video Out	Display Port x 1 (Support up to 1920 x 1200 @60 Hz), HDMI 1.4 x 1
Audio	Mic-in x 1 and Line-out x 1
Functional Ports	Grounding Pin x 1, 12V DC Output(optional), COM Port for GPIO
Extension Area	M.2 E Key 2230 x 1 for Wireless module, PCIe 3.0[x16] x1 (Optional)

### MECHANICAL AND ENVIRONMENTAL

Power Consumption	100V to 240V AC Input, 500W
Operating Temperature	0°C ~ 35°C(32°F ~ 95°F)
Storage Temperature	-20°C ~ 60°C(-4°F ~ 140°F)
Dimension	200 x 200 x 67 mm
Package Size	TBD
Gross Weight	TBD
Net Weight	TBD

## High Performance Medical Grade PC with Intel® 13th Generation Core™ iSeries

Dimension / Unit: mm



**MEDPC-9210**



### Ordering Information

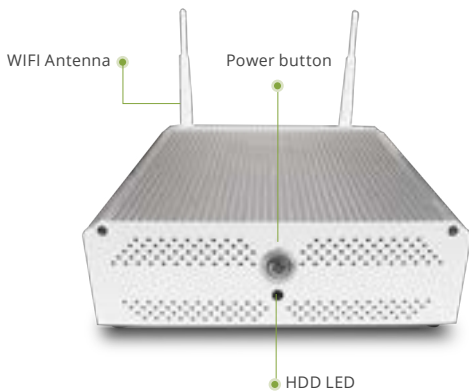
- TBD

### Optional Accessories

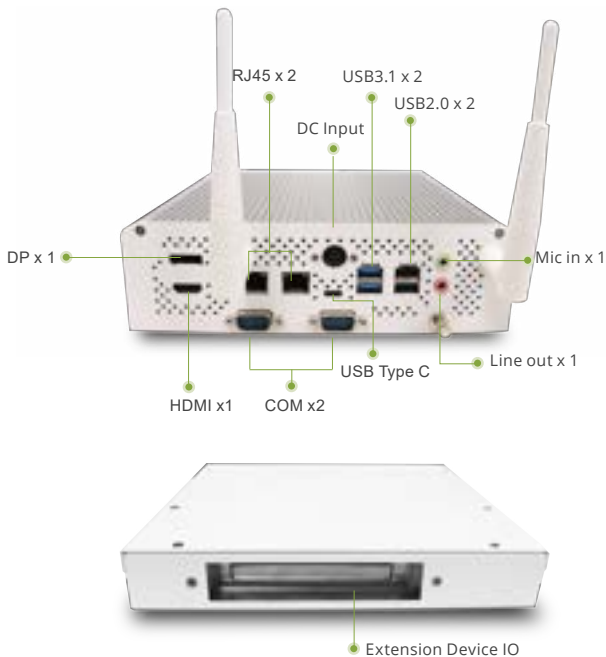
Medical Computer for Medical Device

# MEDPC-9300

High Performance Medical Grade PC with AMD Ryzen™ Embedded V1000



COM x 2



## Features

- AMD Ryzen Embedded V1605B Processor up to 3.6GHz
- Supports DDR4 SO-DIMM, Max. 32GB
- AMD Vega GPU with 8 Compute Units
- Three Independent 4K Display: 1x HDMI 2.0, 1x DisplayPort, 1x USB Type-C
- 1x USB 3.1 Type-C, 2x USB 3.1 Type-A
- 1x PCI Express[x8] in Extension Layer(optional)
- Supports fTPM2.0

## Application

- HIS, LIS, RIS
- Pharmaceutical industry
- Biotech Lab
- Signage in hospital
- Equipment control

## Specifications

### SYSTEM

Processor	AMD Ryzen™ Embedded V1605B Processor
System Memory	DDR4 SoDIMM x2, Max. 32GB
Graphics	AMD Vega GPU with 8 Compute Units
Expansion Interface	PCI Express[x8] x1
Storage Disk Drive	2.5" SATA SSD x1
Security	fTPM2.0
Wireless Communication	802.11ac/a/b/g/n(optional), Bluetooth(optional)
Power Requirement	DC 12~24V
OS Support	Win 10 IoT Enterprise 64-bit / Linux Ubuntu 64-bit

### DISPLAY

Video Out	1x HDMI 2.0, 1x Display Port 1.4, 1x USB Type-C
Display	Up to 3840 x 2160 resolution, at 60Hz
HDMI	Up to 3840 x 2160 resolution, at 60Hz

### I/O

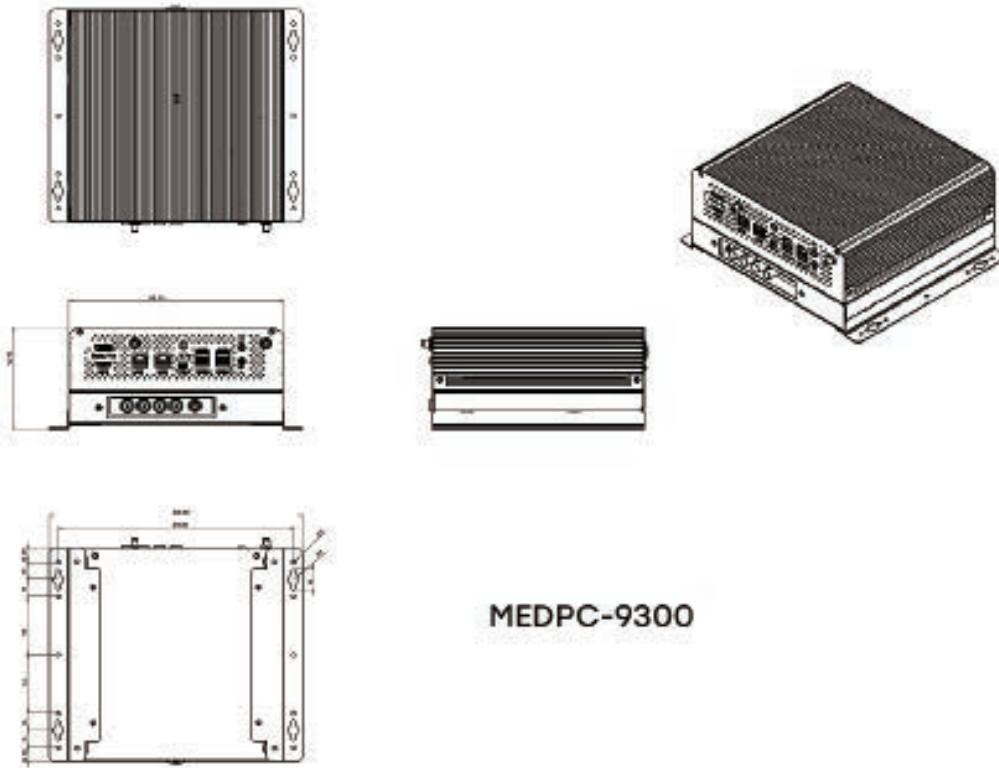
USB	2x USB 3.1 Type-A, 1x USB 3.1 Type-C, 2x USB2.0
Serial Port	2x RS-232
Audio	Mic, Line-out
LAN	2x Gigabit Ethernet
Audio Jack	Mic, Line-out

### MECHANICAL AND ENVIRONMENTAL

Operating Temperature	0°C ~ 40°C(32°F ~ 104°F)
Storage Temperature	-20°C ~ 60°C(-4°F ~ 140°F)
Dimension	197 x 197 x 59.5 mm for main layer 197 x 197 x 44 mm for extension layers
Package Size	300 x 280 x 95 mm
Gross Weight	3.3 kg (7.25 lb) in the single layer, 4.0 kg (7.25 lb) in two layer
Net Weight	2.5 kg in the single layer, 3.7 kg in two layers
Certifications	CE: EN 60601-1-2:2015(V4.0), EN 60601-1:2006/A1:2013/A12:2014 (V3.1) FCC: Part 18 Class B UL: ANSI/AAMI ES60601-1:2012 (V3.1) cUL: CAN/CSA-C22.2 No. 60601-1:2014 (V3.1)

## High Performance Medical Grade PC with AMD Ryzen™ Embedded V1000

### Dimension / Unit: mm



### Ordering Information

- MEDPC-9300-N1-A1-0010  
MEDPC-9300. AMD Ryzen™ Embedded V1605B.

### Optional Accessories

- 1255301205  
(AOH)(TF)Medical Power Adaptor.AC/DC.100-240V.12V.10A.120W.W/4P DIN.Adapter.ATM-P120
- M93-SEC-A1  
MEDPC-9300.extension area.
- OPM-C12W-A10  
WLAN Kit.Qualcomm Atheros.802.11ac/a/b/g/n.BT 4.1.with dual band antenna. MEDPC-9300
- OPM-C15W-A10  
WLAN Kit.802.11a/b/g/n/ac.BT 5.dual ext. antenna.Intel AC 9260NGWGIE.NV,999LV6.for MEDPC-9300



Medical Computer for Medical Device

# MEDPC-2100

Ultra Slim Medical Grade PC with Intel Bay Trail SoC



## Features

- Intel® Bay Trail J1900 (Quad Core) 2GHz
- Multiple display output support
- Fanless easy clean design
- Mini Size

## Application

- HIS, LIS, RIS
- Pharmaceutical industry
- Biotech Lab
- Signage in hospital
- Equipment control

## Specifications

### MAIN SPECIFICATIONS

Processor	Intel® Celeron J1900 (Quad Core) 2GHz
Video Chipset	Intel® HD Graphics
Display Memory	Shared Memory
System Memory	204-pin DDR3L support to 8GB
Expansion	1 x Half size Mini Card Slot ; 1 Mini card slot
System Storage	CFAST Cardx 1
OS Support	Windows® 7, Windows® 8, Windows® 10, Linux®

### I/O

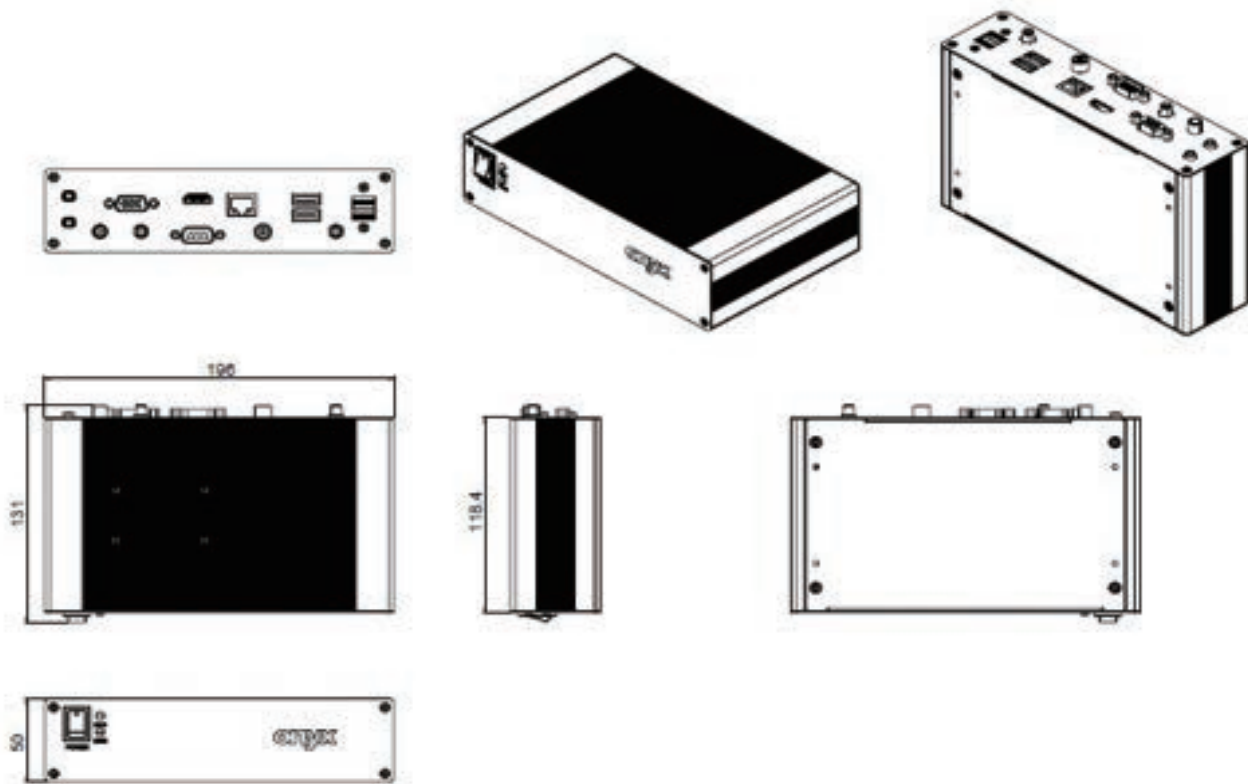
USB	USB 2.0 x 3, USB 3.0 x 1
COM Port	RS-232 x 1
Video Interface	VGA x 1, HDMI 1.4a x 1
Power Jack	DC Power Input Connector
Ethernet	GbE LAN x 1 by RJ-45
SMA Connector	SMA Connector for WLAN antenna (removable) (optional)
Power Switch	1 Power switch button and 2 LED indicator (HDD, SYS) (Orange Red, Green)
Audio	Line out / Line-in

### MECHANICAL AND ENVIRONMENTAL

Power Consumption	Full Loading: 38.453Watts
Power Requirement	DC 12V power input
Operating Temperature	0°C ~ 40°C (32°F ~ 104°F)
Storage Temperature	-20°C ~ 60°C (-4°F ~ 140°F)
Dimension	196 x 131 x 50 mm
Package Size	305 x 225 x 230 mm
Gross Weight	2.4kg (5.28lb)
Net Weight	1.2Kg (2.64lb)
Certifications	CE: EN 60601-1-2:2015(V4.0), EN 60601-1:2006/A1:2013/A12:2014 (V3.1) FCC: Part 18 Class B UL: ANSI/AAMI ES60601-1:2012 (V3.1) cUL: CAN/CSA-C22.2 No. 60601-1:2014 (V3.1)

## Ultra Slim Medical Grade PC with Intel Bay Trail SoC

Dimension / Unit: mm



### Ordering Information

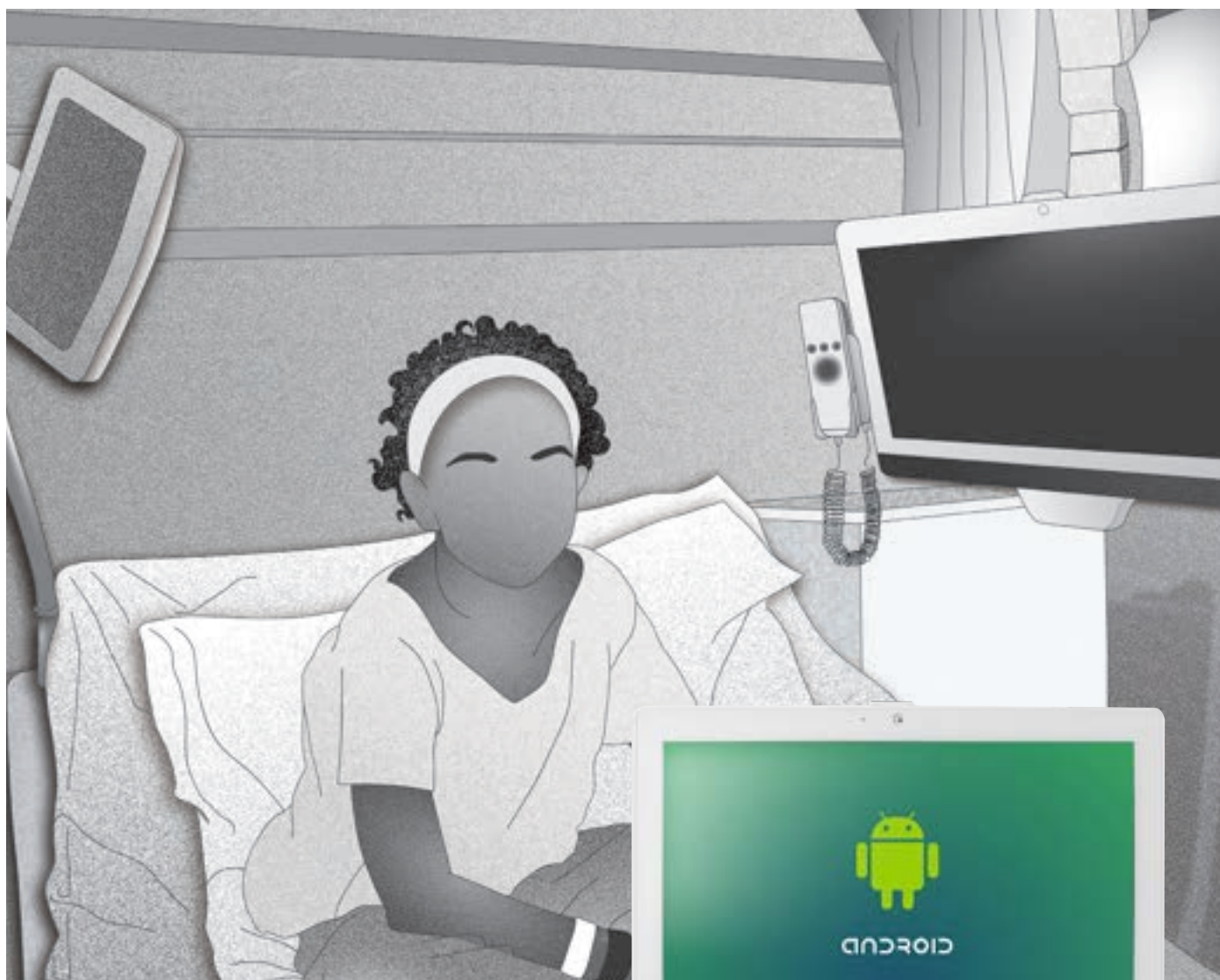
- MEDPC-2100-A1-1010  
Emb. Sys., DC 12V, 2GB RAM, 1 LAN, 1 USB 3.0, 3 USB 2.0, 1 VGA, 1HDMI, 1 COM
- MEDPC-2100-A2-1010  
Emb. Sys.Celeron J1900.DC 12V.1 VGA,1 HDMI, 1 COM.3 USB2.0,1 USB3.0.1 LAN.4G RAM.CFast

### Optional Accessories

- 1757306039  
Medical Power Adaptor.100 ~ 240V.12V.5A.60W.DC.W/ Lock.Adapter.ATM065-P120(w/core)
- OPM-C16W-A7  
WLAN Kit.Atheros AR1111.802.11b/g/n+BT 4.0.Mini Card.dual white ext. antenna.for MEDPC-2100
- OPM-C15W-A11  
WLAN Kit.802.11a/b/g/n/ac.BT 5.dual ext. antenna.Intel AC9260NGWGIE.NV,999LV6.for MEDPC-2100

# HEALTHCARE INFOTAINMENT ALL IN ONE COMPUTER

Onyx is proud to introduce its medical infotainment solutions to reduce the workload of nurses and maximize patient's hospital experience during their stays. Onyx Infotainment series are offered in 10.1"/11.6"/15.6"/18.5" touch panel LCDs and are all low power high performance all-in-one terminals with high brightness, wide viewing angles, and anti-microbial design. From the high performance Intel processor to power saving ARM CPUs, Onyx Infotainment series allows customers to select from a wide variety of bedside solutions that best fits their need and budget.



## Key Features

- ◆ HD video quality with HDMI input
- ◆ 10.1" to 18.5" Wide Color TFT LCD w/ Multi Touch
- ◆ USB interface to host computer
- ◆ Light Weight from 1.5 to 3.2kg
- ◆ Wire Remote Control w/ handset Function
- ◆ Smart Card Reader / MSR / VOIP Phone, Web Camera, High Quality Speakers
- ◆ Reading Light
- ◆ Extension Features: RFID, Smart Card Reader, Barcode scanner
- ◆ EN60601-1 / UL 60601-1

## COMPLETE RANGE OF MEDICAL SOLUTIONS TO SUIT YOUR NEEDS

From display systems such as bedside monitors to medical grade boxPCs and all-in-one terminals, Onyx offers a comprehensive assortment of medical IT solutions to cover virtually any computing need in the healthcare community.



## PERIPHERAL SUPPORT FEATURES THAT EXTEND YOUR EFFICIENCY

Increasing the efficiency of your healthcare facility is conveniently managed with the addition of intelligent peripheral devices. Like smart card and magnetic swipe card readers, high resolution webcams, and 10-point multi-touch displays.



## ERGONOMIC AND COST-EFFECTIVE DESIGN

The Bedside Infotainment Series offers solutions that are both lightweight and compact in size, making them easy to carry, install, and manage for medical staff. Units with an 18.5" display weigh only 3.5kg, while units with an 11.6" display weigh just 1.5kg. The competitively priced Bedside Infotainment Series makes it an ideal solution to fit a multitude of medical IT applications, while at the same time saving on your budget.



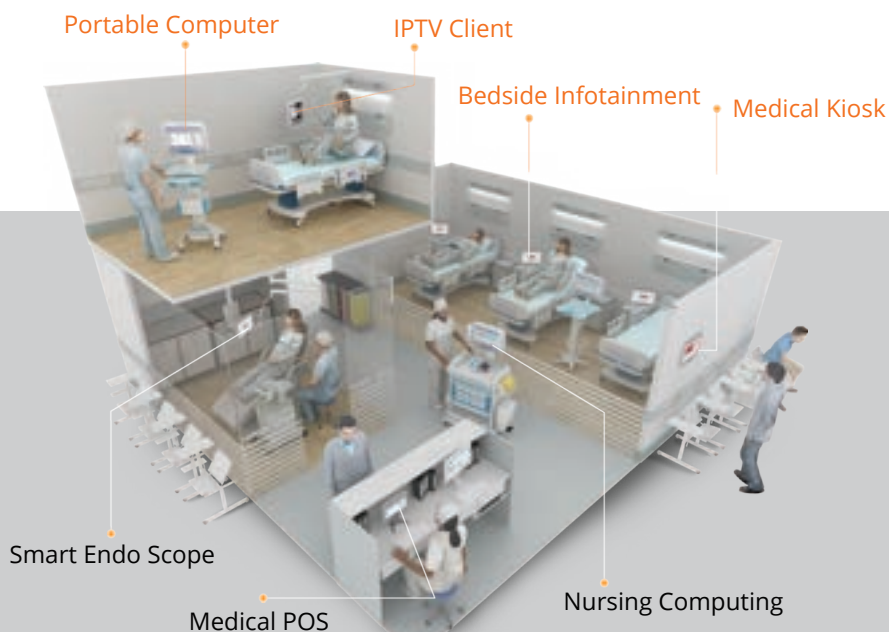
## POWER OVER ETHERNET (POE)

The advantages of using PoE include providing a single cable for both data and power that eliminates the need for extra power cords; ease of installation as there is no need to coordinate data and power sources which can leave extra lengths of exposed cabling; and the ability to use existing infrastructure, minimizing interruptions to facilities and patients.



## MULTIFUNCTIONAL REMOTE CONTROL

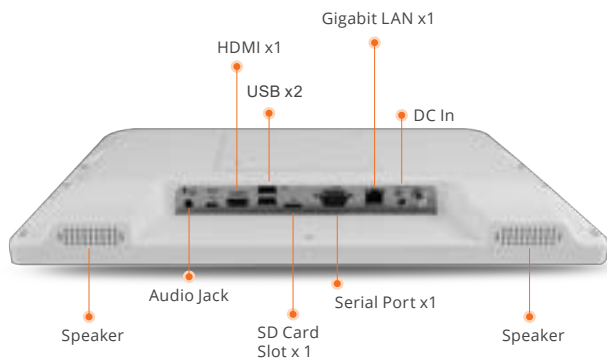
Controlling the Bedside Infotainment system has been made as simple and convenient as possible with the multifunctional remote control. The controller includes a VOIP phone as well as all buttons necessary to control the unit. An optional 2D barcode scanner is also available.



Healthcare Infotainment All In One Computer

# ONYX-BE153R

15.6" Fanless Android Bedside Computer



## Features

- Rockchip RK3288 Processor
- Android 9.0
- 15.6" Wide Color TFT LCD Touch Terminal
- PCT with Multi-Touch support
- Intuitive Front Access Function Keys
- IP65 Waterproof in front
- Optional VOIP Phone, Webcam and RFID.
- EN 60601-1, UL 60601-1

## Specifications

### MAIN SPECIFICATIONS

Processor	Rockchip RK3288 ARM Cortex-A17 QC 1.6GHz
System Memory	DDR3L 2GB
Expansion Interface	Mini PCIe Slot x 1
Storage Disk Drive	16GB eMMC
Wireless Communication	802.11 ac + BT 4.1
Camera	5 Megapixels
Speaker	3W x2
Security	13.56MHz RFID Reader (Optional)
Function Key	Power, Volume Up/Down, Brightness Up/Down, LCD On/Off, Touch On/Off
Power Requirement	DC 12V / Power Over Ethernet
OS Support	Android 9.0

### DISPLAY

Size / Type	15.6" (16:9) Color TFT LCD
Max. Resolution	1920 x 1080 FHD
Luminance(cd/m2)(TYP)	220 nits
Max. Colors	16.7 M
Viewing Angle	90 (H)/60(V)
Contrast Ratio	500:1
Touch Screen	Projected Capacitive Touch

### I/O

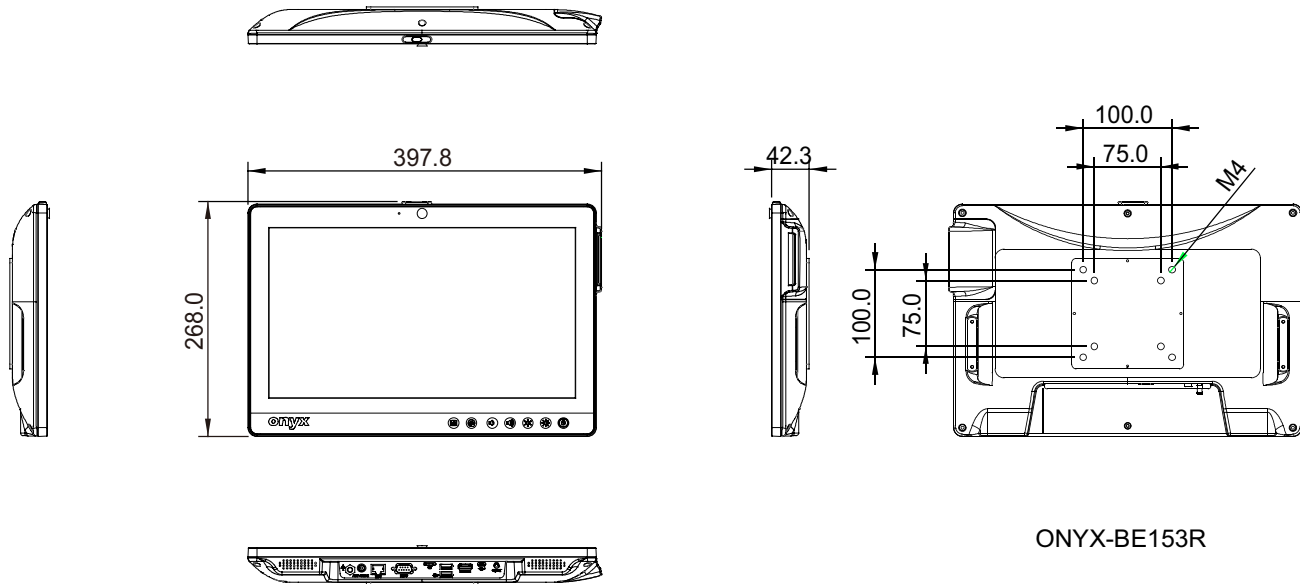
USB	USB 2.0 (Type-A) x2
Serial Port	RS-232 x1 (Optional)
Ethernet	Gigabit LAN x1 (Support Power over Ethernet)
Audio	3.5mm Phone Jack x1
Video	HDMI Out x1
SD Card Slot	Micro SD x1
DC-In	DC-In Jack x1

### MECHANICAL AND ENVIRONMENTAL

Infection Control	Anti-Bacteria (Optional)
Operating Temperature	0°C ~ 40°C(32°F ~ 104°F)
Storage Temperature	-20°C ~ 60°C(-4°F ~ 140°F)
Mounting	VESA 75/100 mm
Degree of Protection	Front Panel: IP65, Whole Unit: IP54
Dimension	397.8 x 268.0 x 42.3 mm
Package Size	721 x 224 x 464 mm
Gross Weight	6.5 kg (14.33lb)
Net Weight	2.8 kg (6.17lb)
Certifications	CE: EN 60601-1-2:2015(V4.0), EN 60601-1:2006/A1:2013(V3.1) FCC: Part 18 Class B UL: ANSI/AAMI ES60601-1:2012 (V3.1) cUL: CAN/CSA-C22.2 No. 60601-1:2014 (V3.1)

## 15.6" Fanless Android Bedside Computer

Dimension / Unit: mm



### Ordering Information

- ONYX-BE153R-P01-A1-0201  
RISC Beside Terminal.RK3288.15.6.C-TS.2GB RAM.16GB eMMC.Camera.POE.Android 9.0
- ONYX-BE153R-P01-A1-0202  
RISC Beside Terminal.RK3288.15.6.C-TS.2GB RAM.16GB eMMC.POE.Android 9.0

### Optional Accessories

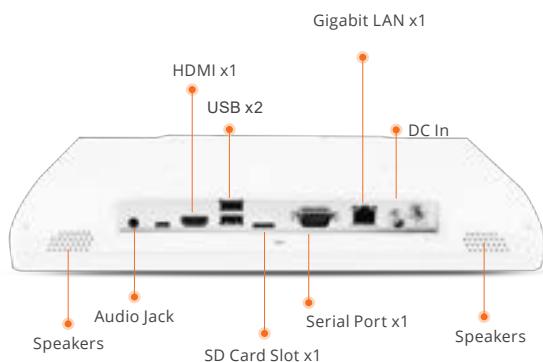
- 1757306039  
Medical Adapter.60W.12V/5A
- OPM-T018-A1  
VoIP Handset w/o keypads



Healthcare Infotainment All In One Computer

# ONYX-BE122R

11.6" Fanless Android Bedside Computer



## Features

- Rockchip RK3288 Processor
- Android 9.0
- 11.6" Wide Color TFT LCD Touch Terminal
- PCT with Multi-Touch support
- Intuitive Front Access Function Keys
- IP65 Waterproof in front
- Optional VOIP Phone, Webcam and RFID
- EN 60601-1, UL 60601-1

## Specifications

### MAIN SPECIFICATIONS

Processor	Rockchip RK3288 ARM Cortex-A17 QC 1.6GHz
System Memory	DDR3L 2GB
Expansion Interface	Mini PCIe Slot x 1
Storage Disk Drive	16/64GB eMMC
Wireless Communication	802.11 ac + BT 4.1
Speaker	2W x2
Camera	5 Megapixels
Security	13.56MHz RFID Reader (Optional)
Function Key	Power, Volume Up/Down, Brightness Up/Down,
Power Requirement	DC 12V / Power Over Ethernet
OS Support	Android 9.0

### DISPLAY

Size / Type	11.6" (16:9) Color TFT LCD
Max. Resolution	1366 x 768 HD
Luminance(cd/m2)(TYP)	250 nits
Max. Colors	16.7 M
Viewing Angle	90°(H)/60°(V)
Contrast Ratio	500:1
Touch Screen	Projected Capacitive Touch

### I/O

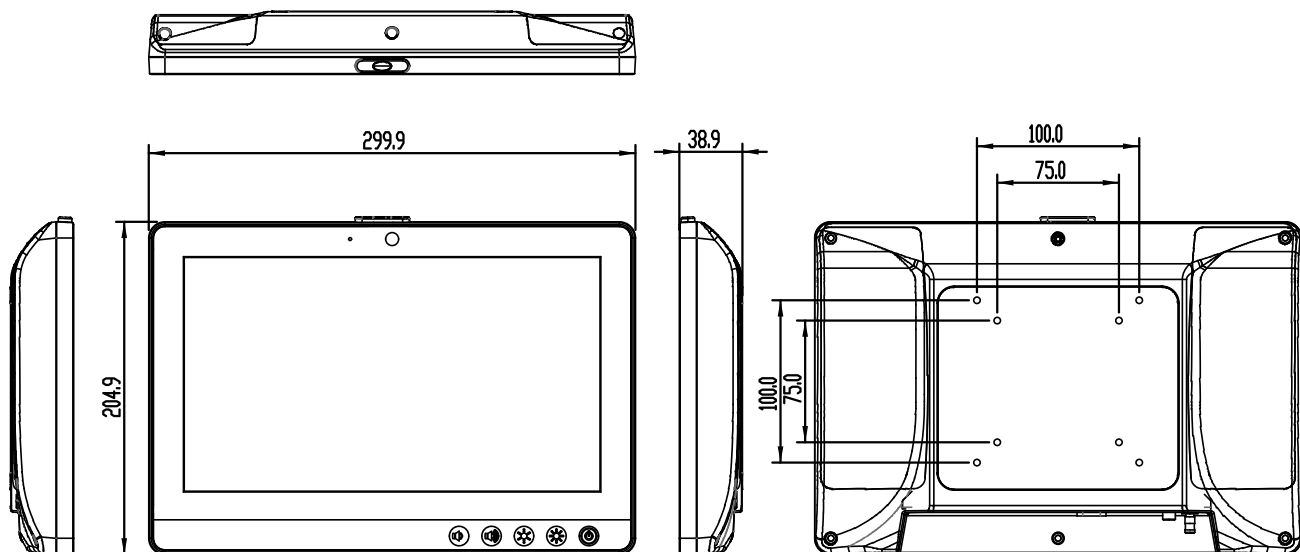
USB	USB 2.0 (Type-A) x2
Serial Port	RS-232 x1 (Optional)
Ethernet	Gigabit LAN x1 (Support Power over Ethernet)
Audio	3.5mm Phone Jack x1
Video	HDMI Out x1
SD Card Slot	Micro SD x1
DC-In	DC-In Jack x1

### MECHANICAL AND ENVIRONMENTAL

Infection Control	Anti-Bacteria (Optional)
Operating Temperature	0°C ~ 40°C(32°F ~ 104°F)
Storage Temperature	-20°C ~ 60°C(-4°F ~ 140°F)
Mounting	VESA 75/100 mm
Degree of Protection	Front Panel: IP65, Whole Unit: IPX1
Dimension	299.9 x 2049 x 38.9 mm
Package Size	540 x 230 x 370 mm
Gross Weight	4 kg (8.82lb)
Net Weight	1.5 kg (3.3lb)
Certifications	CE: EN 60601-1-2:2015(V4.0), EN 60601-1:2006/A1:2013(V3.1) FCC: Part 18 Class B UL: ANSI/AAMI ES60601-1:2012 (V3.1) cUL: CAN/CSA-C22.2 No. 60601-1:2014 (V3.1)

## 11.6" Fanless Android Bedside Computer

Dimension / Unit: mm



### Ordering Information

- ONYX-BE122R-P01-A1-0201  
RISC Beside Terminal.RK3288.11.6".C-TS.2GB RAM.16GB eMMC.Camera.POE.Android 9.0
- ONYX-BE122R-P01-A1-0202  
RISC Beside Terminal.RK3288.11.6".C-TS.2GB RAM.16GB eMMC.POE.Android 9.0

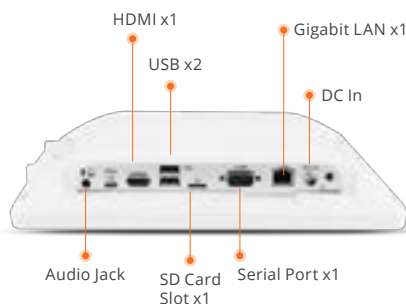
### Optional Accessories

- 1757306039  
Medical Adapter.60W.12V/5A
- OPM-T018-A1  
VoIP Handset w/o keypads

Healthcare Infotainment All In One Computer

# ONYX-BE102R

10.1" Fanless Android Bedside Computer



## Features

- Rockchip RK3288 Processor
- Android 9.0
- 10.1" Wide Color TFT LCD Touch Terminal
- PCT with Multi-Touch support
- Intuitive Front Access Function Keys
- IP65 Waterproof in front
- Optional VOIP Phone, Webcam and RFID
- EN 60601-1, UL 60601-1

## Specifications

### MAIN SPECIFICATIONS

Processor	Rockchip RK3288 ARM Cortex A17 QC 1.6GHz
System Memory	DDR3L 2GB
Expansion Interface	Mini PCIe Slot x 1
Storage Disk Drive	16GB eMMC
Security	13.56MHz RFID Reader (optional)
Wireless Communication	802.11 ac + BT 4.1
Speaker	2W x2
Camera	5 Megapixels
Function Key	Power, Speaker Volume Up/Down, LCD Brightness Up/Down
Power Requirement	DC 12V / Power over Ethernet
OS Support	Android 9.0

### DISPLAY

Size / Type	10.1" LCD (16:9) Color TFT LCD
Max. Resolution	1280 x 800
Luminance(cd/m2)(TYP)	400 nits
Max. Colors	16.7 M
Viewing Angle	170°(H)/170°(V)
Contrast Ratio	800:1
Touch Screen	Projected Capacitive Touch

### I/O

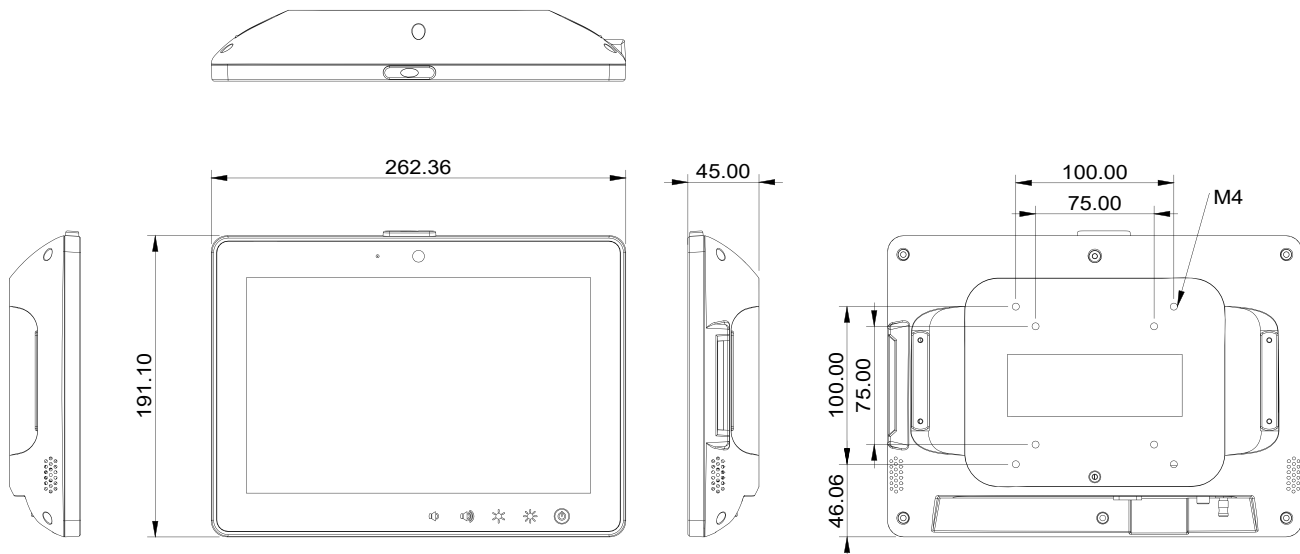
USB	USB 2.0 (Type-A) x2
Serial Port	RS-232 x1 (Optional)
Ethernet	Gigabit LAN x1 (Support Power over Ethernet)
Audio	3.5mm Phone Jack x1
Video	HDMI Out x1
SD Card Slot	Micro SD x1
DC-In	DC-In Jack x1

### MECHANICAL AND ENVIRONMENTAL

Infection Control	Anti-Bacteria (Optional)
Operating Temperature	0°C ~ 40°C(32°F ~ 104°F)
Storage Temperature	-20°C ~ 60°C(-4°F ~ 140°F)
Mounting	VESA 75/100 mm
Degree of Protection	Front Panel: IP65, Whole Unit: IPX1
Dimension	262.36 x 191.10 x 45 mm
Package Size	402 x 190 x 335 mm
Gross Weight	3.7 kg (8.2lb)
Net Weight	1.2 kg (2.6lb)
Certifications	CE: EN 60601-1-2:2015(V4.0), EN 60601-1:2006/A1:2013(V3.1) FCC: Part 18 Class B UL: ANSI/AAMI ES60601-1:2012 (V3.1) cUL: CAN/CSA-C22.2 No. 60601-1:2014 (V3.1)

## 10.1" Fanless Android Bedside Computer

### Dimension / Unit: mm



### Ordering Information

- ONYX-BE102R-P01-A1-0201  
RISC Beside Terminal.RK3288.10.1".C-TS.2GB RAM.16GB eMMC.Camera.POE.Android 9.0
- ONYX-BE102R-P01-A1-0202  
RISC Beside Terminal.RK3288.10.1".C-TS.2GB RAM.16GB eMMC.POE.Android 9.0

### Optional Accessories

- 1757306039  
Medical Adapter.60W.12V/5A
- OPM-T018-A1  
VoIP Handset w/o keypads

# Panel PC Accessory Selection

## OPM-H02S Desktop Stand



### Features

- Apply to 10"~22" Slim Medical Panel PC, Medical Display.
- Spinning around high and mighty; able to bear 5kg to 12kg.
- Providing 2 mounting space in coordination with VESA standard: 75mm x 75mm and 100mm x100mm

### Ordering Information

- TF-OPM-H02S-A0  
Desktop Stand, Black Color, VESA 75/100, 230mm Height
- TF-OPM-H02S-A1  
Desktop Stand, Black Color, VESA 75/100, 280mm Height

## OPM-H01S Desktop Stand



### Features

- Apply to 15" ~ 24" Medical Station, Slim Medical Panel PC, Medical Display.
- Spinning around high and mighty; able to bear 5 kg to 15kg.
- Providing 2 mounting space in coordination with VESA standard:75mm x 75mm and 100mm x100mm
- The angle of view was designed adjustable for clear vision.
- Flexible angle create brand-new atmosphere of monitors.
- Up-to-date choice in the multimedia era.
- Show yourself and break the limit of environment.
- Regulate as you want to make more space.

### Ordering Information

- TF-OPM-H01S  
Desktop Stand, Black Color, VESA 75/100, 265mm to 330mm Height

Accessory Selection

# Panel PC Accessory Selection

## OPM-H08S Desktop Stand



### Features

- Apply to 15" ~ 32" Medical Panel PC, Medical Display.
- Spinning around high and mighty; able to bear 2 kg to 12kg for A1 and 5kg to 25kg for A2
- Providing 2 mounting space in coordination with VESA standard:75mm x 75mm and 100mm x100mm
- The angle of view was designed adjustable for clear vision
- Flexible angle create brand-new atmosphere of monitors.
- Up-to-date choice in the multimedia era.
- Show yourself and break the limit of environment.
- Regulate as you want to make more space

### Ordering Information

- OPM-H08S-A1  
Desktop Stand, White Color, VESA 75/100, 310mm to 390mm Height
- OPM-H08S-A2  
Desktop Stand, White Color, VESA 75/100, 385mm Height

## OPM-H12A VESA Mount Power Adapter Holder



### Features

- Design for 1255301202 & 1255301204 with 120W
- Apply to 15" to 24" Medical Station, Slim Medical Panel PC
- Providing 2 mounting spaces in coordination with VESA standard: 75mm x 75mm and 100mm x 100mm

### Ordering Information

- » OPM-H12A-A1  
VESA mount power adapter holder



# Healthcare Infotainment Accessory Selection

## OPM-H13A-A1

## OPM-H14A-A1

Easi Wall Mount Swivel ARM



### Features

- Built in "Gas Spring" for easy movement
- Cable management
- Anti-bacteria coating (optional)

### Specifications

#### MAIN SPECIFICATIONS

	OPM-H13A-A1	OPM-H14A-A1
Feature	Long ARM	
Tile	20° up and 35° down (display) 20° up and 60° down (arm)	
Mounting Option	Wall Mount Type	
VESA	75/100mm	
Material	Aluminum alloy and plastic cover	
Pivot	180°, 370°, 270° (wall, arm, display)	
Extension	1907mm	
Capacity	1-6Kg (2.2-13.2lbs)	6-12kg (13.2-26.4lbs)

## OPM-H15A-A1

## OPM-H16A-A1

Easi Ceiling Mount Swivel ARM



### Features

- Built in "Gas Spring" for easy movement
- Cable management
- Anti-bacteria coating (optional)

### Specifications

#### MAIN SPECIFICATIONS

	OPM-H15A-A1	OPM-H16A-A1
Feature	Ceiling Mount	
Tile	20° up and 35° down (display) 20° up and 60° down (arm)	
Mounting Option	Cell Mount Type	
VESA	75/100mm	
Material	Aluminum alloy and plastic cover	
Pivot	270°, 370°, 270° (ceiling, arm, display)	
Extension	1927mm	
Capacity	1-6Kg	6-12kg

Accessory Selection

# Healthcare Infotainment Accessory Selection

## OPM-H04A

Ergonomic Wall Mount Swivel ARM



### Features

- Durable and easy to clean
- Double Gas springs assisted for high vertical movement
- Fully cable managed

### Specifications

#### MAIN SPECIFICATIONS

Feature	Long ARM
Tilt	20° up and 40° down
Mounting Option	Wall Mount Type
Material	Aluminum alloy and plastic cover
Arm swivel	180°
Overall reach	1700mm
Capacity	1~8Kg

## OPM-T018

Smart VOIP Handset



### Features

- Extend Onyx Bedside Services closed to the Patients
- Foil keyboard designed for easy cleaning and infection control
- Integrate the hall sensor for auto detection of on and off hook event
- Lockable socket designed for the lost prevention
- Sample code and API available for easy programming of key mapping for different field applications

### Specifications

#### MAIN SPECIFICATIONS

Interface	USB 2.0 with RJ45 Socket
Connection Cable	41cm Curly Cable with RJ45 Plug
On-hook Key	x1
Off-hook Key	x1
Numeric Keypad	1, 2, 3, 4, 5, 6, 7, 8, 9, 0, *, #
Multimedia Keypad	Home, TV, Back, Channel Up, Channel Down, Volume Up, Volume Down, OK
Hall Sensor	x1
Loudspeaker	x1
Microphone	x1
Camera	2 Megapixels x1 (Optional)
Nurse Call Button	x1 (By Request)
Operating Temperature	0°C ~ 40°C(32°F ~ 104°F)
Storage Temperature	-20°C ~ 60°C(-4°F ~ 140°F)
Storage Humidity	10%~95%@35°C, non-condensing
Dimension	54.6(W) x 160(H) x 34.5(D) mm
Net Weight	Approx. 105g



## Headquarters

### Onyx Healthcare Inc.

4F, No 135, Ln 235, Baoqiao Rd.,  
Xindian Dist , New Taipei City 231028,  
Taiwan (R.O.C)

Tel: 886-2-8919-2188

Fax: 886-2-8919-1699

E-mail: sales@onyx-healthcare.com

www.onyx-healthcare.com

## Worldwide Offices

### America

#### USA

Onyx Healthcare, USA Inc.

324 W. Blueridge Ave., Orange, CA 92865

Tel: +1-714-792-0774

Fax: +1-714-792-0481

E-mail: sales@onyx-healthcare.com

### Europe

#### Netherlands

Onyx Healthcare EUROPE B.V.

Primulalaan 42, 5582 GL Waalre,

The Netherlands

Tel: +31-499-745604

E-mail: sales@onyx-healthcare.com

### Asia & China

#### China

Onyx Healthcare (Shanghai) INC.

20F, unit D, GEM Building, No. 487 Tianlin

Road, Shanghai, China

Tel: 021-64956588-602

E-mail: sales@onyx-healthcare.com

0 1 0 0 1 0 0 1 1 0  
0 1 1 1 0 1 0 1 0 0

