

2023 Catalogue

One Step Ahead of Medical AI Innovation



onyx

2023

One Step Ahead of Medical AI Innovation



Headquarters

Onyx Healthcare Inc.

4F., No.135, LANE 235, PAO CHIAO RD.,
XINDIAN DIST., NEW TAIPEI CITY 231,
TAIWAN (R.O.C.)
Tel: 886-2-8919-2188
Fax: 886-2-8919-1699
E-mail: sales@onyx-healthcare.com
www.onyx-healthcare.com

Worldwide Offices

America

USA

Onyx Healthcare, USA Inc.
324 W. Blueridge Ave., Orange, CA 92865
Tel: +1-714-792-0774
Fax: +1-714-792-0481
E-mail: USAsales@onyx-healthcare.com

Europe

Netherlands

Onyx Healthcare EUROPE B.V.
Primulalaan 42, 5582 GL Waalre, The
Netherlands
Tel: +31-(0)499-745600
E-mail: eusales@onyx-healthcare.com

Asia & China

China

Onyx Healthcare (Shanghai) INC.
20F, unit D, GEM Building, No. 487 Tianlin
Road, Shanghai, China
Tel: 021-64956588-602
E-mail: dicksheng@onyx-healthcare.com



TABLE OF CONTENTS

TABLE OF CONTENTS	01
ABOUT ONYX	03
OEM/ODM SERVICE	05
■ AI INFERENCE HARDWARE	07
NVIDIA AIoT Solution	08
Intel Distribution of Openvino Toolkit	10
• Medical Video Management System with 9th Generation Intel Xeon / Core i7 CPU - ACCEL-VM500	11
• Dual GPU card Medical AI Edge PC with Intel 12th Gen Core i9 CPU - ACCEL-VM1000	13
• NVIDIA Jetson AGX Xavier or AGX Xavier Industrial platform - ACCEL-JS500/JS500i	15
• NVIDIA Jetson AGX Orin platform for Medical AI imaging application - ACCEL-JS1000	17
• NVIDIA Jetson Orin NX platform for Medical AI imaging application - ACCEL-JS800	18
• Slim Size Medical AI Computing Platform with Intel® 12th Gen Core I CPU - ACCEL-VM300	19
• 22" Medical AI Accelerator with NVIDIA Ampere MXM Graphics - ACCEL-A2203	20
■ MEDICAL CART COMPUTER	21
• 24"/22" Dual Hot Swappable Battery Medical Cart Computer - Venus-244 / Venus-224	23
• 23.8" Dual Hot Swappable Battery Medical Cart Computer - Venus-243	25
23.8" Dual Hot Swappable Battery Medical Cart Computer - Venus-243 AMD	27
• 21.5" Dual Hot Swappable Battery Medical Cart Computer - Venus-223	29
21.5" Dual Hot Swappable Battery Medical Cart Computer - Venus-223 AMD	31
• 19" Dual Hot Swappable Battery Medical Cart Computer - Venus-193	33
19"~24" Self-Power Cart Computer Accessory Selection	35
■ MEDICAL POWER PANEL PC	37
17" Intel i7/i5/i3 Medical Panel PC with Dual Battery - Venus-173	39
15.6" Intel i7/i5/i3 Medical Panel PC with Dual Battery - Venus-153	41
11.6" Intel i7/i5/i3 Medical Panel PC with Dual Battery - Venus-123	43
12"~ 17" Mini Mobile Computer Accessory Selection	45
■ MEDICAL POWER BANK	47
• UPower Pro-43	49
UPower Pro-22	50
XL Battery / XXL Battery	51
■ ORION-BATTERY MANAGEMENT SYSTEM	53
■ MOBILE MEDICAL TABLET	57
• 12" Fanless Intel ATOM / i5 Medical Tablet- MD116 / MD116i	59
10.1" Rugged Medical Tablet - MD101	61
MD116 Accessory Selection	63
■ PROFESSIONAL MEDICAL ALL IN ONE PC	67
24" Fanless 7th Generation Core i7 Professional Medical All in One PC - ZEUS-248	69
22" Fanless 7th Generation Core i7 Professional Medical All in One PC - ZEUS-228	71
19" Fanless 7th Generation Core i7 Professional Medical All in One PC - ZEUS-198	73

■	MEDICAL PC & MONITOR FOR DIGITAL OR	75
•	32" 4K UHD 6th Generation Xeon / Core i7 Medial All in One PC for AI Inference- ACCEL-A3201	79
•	27" 4K UHD 6th Generation Xeon / Core i7 Medial All in One PC for AI Inference- ACCEL-A2701	81
•	24" FHD 9th Generation Xeon / Core i7 Medial All in One PC for AI Inference- ACCEL-A2401	83
	Medical Video Management System with 9th Generation Intel Xeon / Core i7 CPU- ACCEL-VM500R	85
	HDMI/DP over IP Transceiver with USB Extension for Digital OR- ACCEL-VM100	87
	AV over IP Master Controller- ACCEL-VM200	88
	HDMI/VGA Live Video Streamer with Recording- ACCEL-VS100	89
■	SLIM MEDICAL ALL IN ONE PC	91
	17" Fanless Slim Medical All in One PC- SMA-1733	93
	15.6" Fanless Slim Medical All in One PC- SMA-1533	95
	11.6" Fanless Slim Medical All in One PC- SMA-1233	97
	10.1" Fanless Slim Medical All in One PC- SMA-1033	99
■	POWERFUL MEDICAL ALL IN ONE PC	101
	24" Fanless 9th Generation Core i7 Powerful Medial All in One PC- MATE2-2410	103
	22" Fanless 9th Generation Core i7 Powerful Medial All in One PC- MATE2-2210	105
	19" Fanless 6th Generation Core i7 Powerful Medical All in One PC- MATE-1903	107
■	MEDICA MONITOR FOR MEDICAL DEVICE	109
	32" 4K-UHD Medical LCD Monitor- MEDDP-632	111
	32" Full-UHD Medical LCD Monitor- MEDDP-632F	112
	27" Slim Medical Display- MEDDP-627	113
	24" Slim Medical Display - MEDDP-624	114
	22" Slim Medical Display- MEDDP-722	115
	22" Slim Medical Display- MEDDP-622	116
	15.6" Slim Medical Display- MEDDP-615	117
	15" Slim Medical Display- MEDDP-415	118
■	MEDICAL COMPUTER FOR MEDICAL DEVICE	119
•	High Performance Medical Grade PC with Intel ® 6th Generation Core™ iSeries- MEDPC-9200	121
	High Performance Medical Grade PC with AMD Ryzen™ Embedded V1000- MEDPC-9300	123
	Ultra Slim Medical Grade PC with Intel Bay Trail SoC- MEDPC-2100	125
■	HEALTHCARE INFOTAINMENT ALL IN ONE COMPUTER	127
	15.6" Fanless Android Bedside Computer- ONYX-BE153R	129
	11.6" Fanless Android Bedside Computer - ONYX-BE122R	131
	10.1" Fanless Android Bedside Computer - ONYX-BE102R	133
■	ACCESSORY SELECTION	135
	Panel PC Accessory Selection	135
	Healthcare Infotainment Accessory Selection	137

ABOUT ONYX

Onyx Healthcare Inc. is a professional medical IT company in providing trusted, innovative products, customer-centric design services and medical pc solutions. Onyx cooperates closely with our partners to provide comprehensive medical products such as Smart View Medical Stations, Fanless Slim Panel PC, Medical Display, Healthcare Infotainment, Mobile Tablet PC, Medical PC and Mobile Computing Cart in the professional Hospital / Clinical IT market. Our products offer the advantages of filmless and paperless interaction in the hospital environment and all product solutions guarantee reliable quality (EN-60601-1 and UL-60601-1). In 2018/ 2019, Onyx has received notable awards such as the "Taiwan Excellence Award 2018 / 2019" in Venus series and ACCEL series and Mobile Tablet Assistant.



■ PRODUCT APPLICATION FOCUS: HOSPITAL IT

- » **High-Acuity Task Area**
The emergency department, Intensive care, labor and delivery units, neonatal ICUs, operating rooms, post-anesthesia care units, and the radiology department.
- » **Clinic/Nursing Station Area**
PACs processing and daily hospital tasks.
- » **Outpatient Area**
Patient monitoring and patient home care.

■ FEATURE PRODUCTS :

- » **Medical IT**
Advanced Medical Stations, Medical Grade Slim Panel PCs, Medical Grade Fanless Panel PCs.
- » **Medical Platform**
Mobile Nursing Cart, Bedside Infotainment Terminal.
- » **Medical IT & Platform Accessory**
Medical Grade Monitors, Medical Mounting Accessories.



AWARDS

THE 25TH NATIONAL AWARD OF OUTSTANDING SMALL AND MEDIUM-SIZED ENTERPRISES

Healthcare is an honored recipient today of the 25th National Award of Outstanding Small and Medium-sized Enterprises. The National Award of Outstanding Small and Medium Enterprises are seen as the Academy Awards (Oscars) for enterprises in Taiwan, representing the highest honor which can be granted to the winner in their industry.



The Rising Star Award



The Taiwan SMEs Innovation Award

Onyx Healthcare has recently won two awards from the Small and Medium Enterprise Administration, Ministry of Economic Affairs (SMEA/MOEA), R.O.C. In recognition of its excellence in global export trade, Onyx was given The Rising Star Award. For its Venus Series of mobile cart computers, the company received the Taiwan SMEs Innovation Award for performance in innovation and research development.

OEM / ODM SERVICE

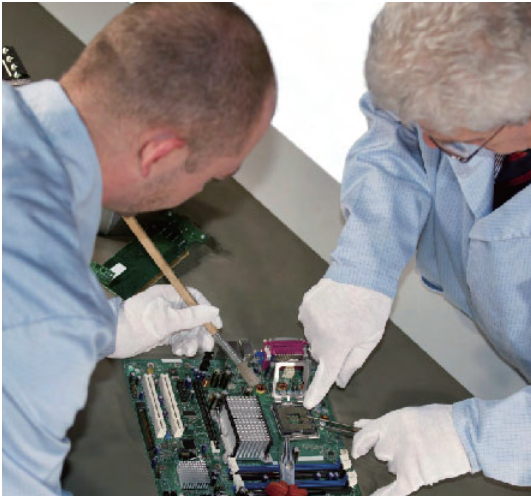
ONYX -YOUR DESIGN & MANUFACTURING KITCHEN

1st Choice of Medical Device OEM / ODM Partners



DESIGN TO WIN

Excellent design is the superior tool to win business. Based on such belief, Onyx has kept striving to strengthen our abilities in design experience since we started the company. We have trained outstanding R&D engineers to establish the professional team. They are not only experts in product developments, but also very in tune with the trends of technical and technology to assist our clients exploit new products that are truly competitive and break into the international market.



QUALITY ASSURANCE

ONYX Healthcare Inc. provides a 2 year manufacturer's warranty to the entire ONYX product family and supports our clients locally via worldwide service centers with design and technical support capability. The company has acquired the following certifications and established its corporate quality assurance system with detail operational guide using closed loop feedback system approach. Throughout design, manufacturing, and service stages, ONYX Healthcare Inc. is committed to quality and service excellence with extensive knowledge to meet specific needs of medical IT and platform clients.

■ FULL EXPERIENCE OF MEDICAL CERTIFICATIONS:

No need to worry about the problem of getting documents. With internal and external test laboratories, our experienced LAB engineers with more 10 years make sure your product certified. Onyx can help you bring your market to USA, Europe and China quickly.



ISO 9001:2015

Onyx meets specifies requirements of ISO 9001:2015 for a quality management system where an organization from 2011/08/02.
Valid until: 27, February , 2022



ISO14001:2015

Onyx meets specifies requirements of ISO 14001:2015 for Environmental requirements, where an organization from February 2016.
Environmental Policy:
Green Manufacturing, Environmental Innovation, Sustainable ,Development Continuous Improvement
Valid until: 19, February , 2019 ~ 19, February , 2022



ISO 13485:2016

Onyx meets specifies requirements of ISO 13485:2016 for a quality management system where an organization needs to demonstrate its ability to provide medical devices and related services from 2011/08/02.
Valid until: 27, February , 2022



FCC

All of onyx's products comply with FCC Part 18.



CE : EN 60601-1-2 : 2015 (V4.0) / EN60601-1 : 2006 / AI : 2013 (V3.1)

All of onyx"s products comply with 93/42/EEC.



UL : ANSI / AAMI ES60601-1 : 2012 (V3.1)

All of onyx's products have got the UL certificate.



CCC

Some of Onyx products meets the CCC mark is required for both Chinese manufactured and foreign imported products.



CLOROX HEALTHCARE COMPATIBILITY PROGRAM

Onyx Products Approved Clorox Healthcare Compatible™ for Safer Medical Environments

■ READY TO USE EMBEDDED COMPUTING PLATFORM:

Belonging to ASUS and Aaeon Group, Onyx provides rich and cutting edge motherboard technology to our clients. Do not worry about falling behind your competition. Your company will be the leader in the field.

- Off-the shelf miniITX motherboard solution
- Latest Computer-on Module (COM) solutions
- Single compact computer solutions (X86 and RISC ARM)
- Free of charge BIOS and driver service



■ ONYX HEALTHCARE IS THE FIRST COMPANY WITH EMC 4.0 / SAFE 3.1 READY PRODUCTS

In the European Union, the Date of Withdrawal (DoW) of EN 60601-1:2006 (Safety Edition 3.0) is published as Dec. 31st 2017 and DoW of EN 60601-1-2:2007(EMC Edition 3.0) is published as Dec. 31st 2018. **All devices manufactured and imported into the EU are required to comply with EN 60601-1:2006/A1:2013 (Safety Edition 3.1) after year 2018 and EN 60601-1-2:2015 (EMC Edition 4.0) after year 2019.**

All Onyx products in mass production are compliant to Safety Edition 3.1 and EMC Edition 4.0 and please refer to the following product list.

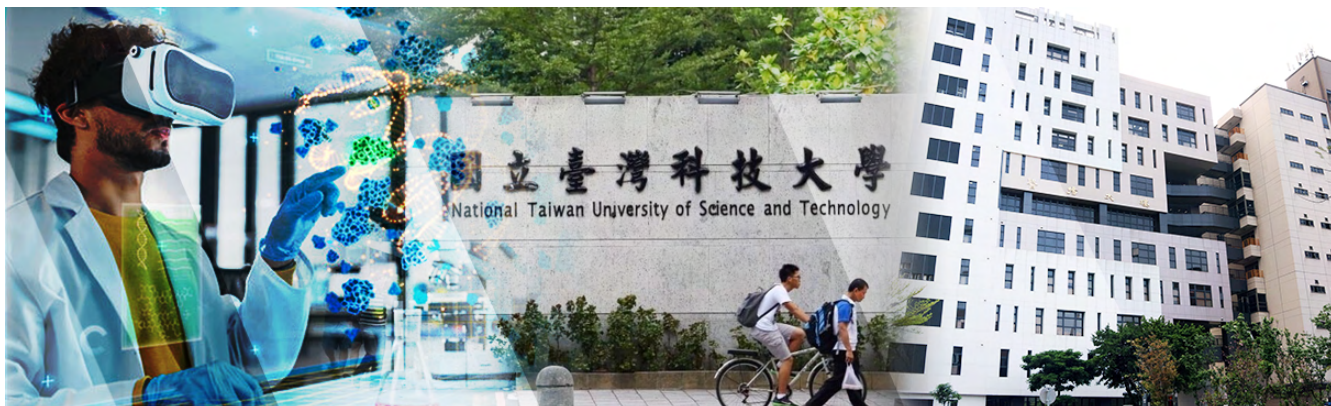


MEDICAL AI RESEARCH CENTER

■ ONYX-NTUST MEDICAL AI JOINT RESEARCH CENTER

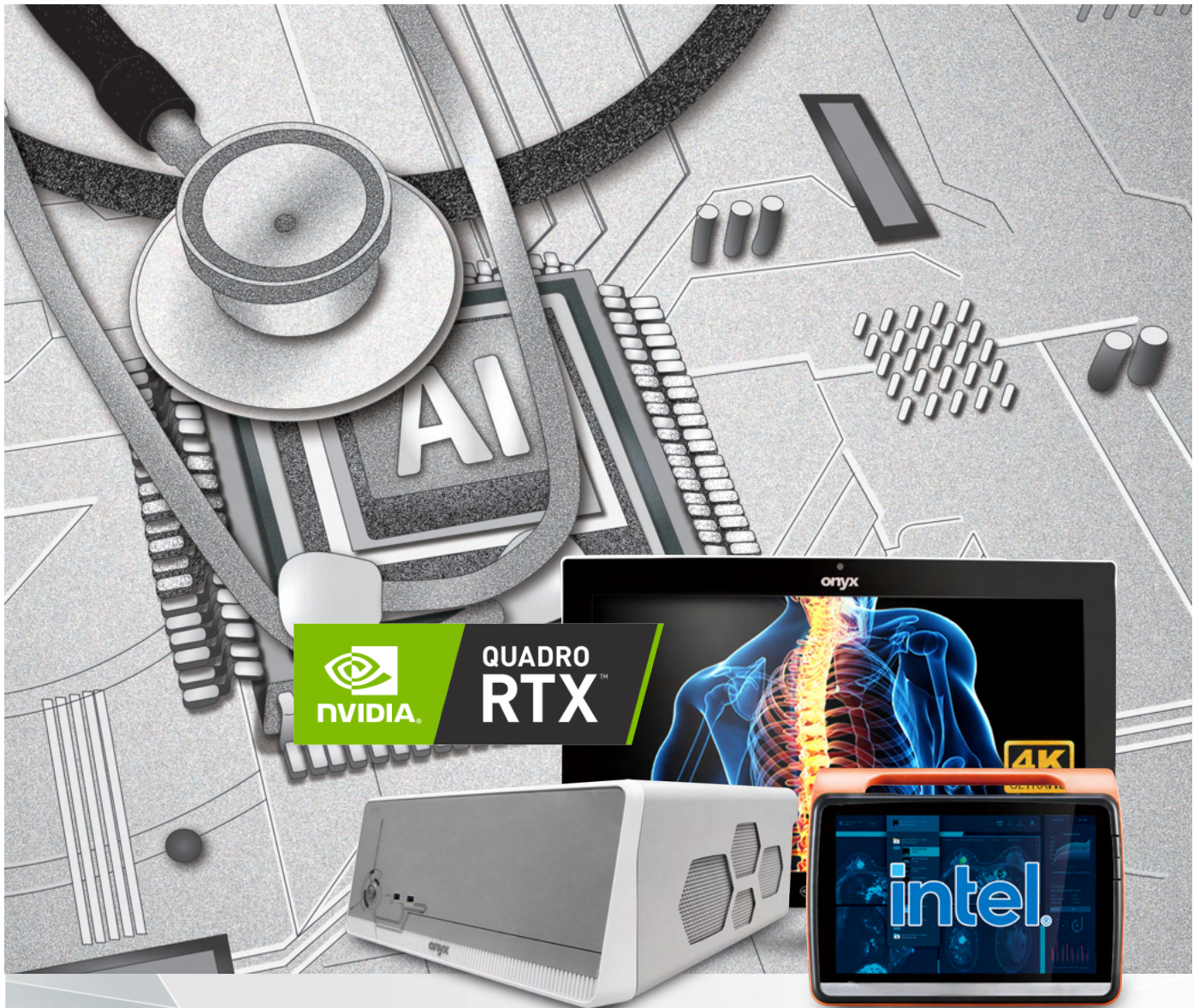
Given the rapid development of AI applications in medicine and healthcare in the twenty-first century, NTUST and Onyx Healthcare established the Onyx Healthcare–NTUST Medical AI Joint Research Center in 2017. The center encompasses work in medical engineering, medical imaging, big data analytics, AR and VR medical training, embedded system development, and others. By combining specialized expertise, NTUST and Onyx Healthcare together provide healthcare clients across the world with one-stop services that integrate medical AI modelling and simulation, software/hardware design, and manufacturing operations.

Furthermore, the collaboration helps clients develop successful medical AI products and generally contributes to the medical and healthcare industry overall. Edition 3.1 and EMC Edition 4.0 and please refer to the following product list.



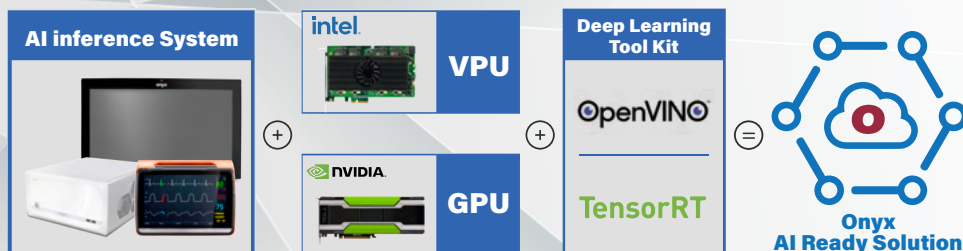
AI INFERENCE HARDWARE

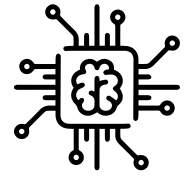
As technology advances at an every quickening pace, it is artificial Intelligence (AI) that is leading the way forward to a future where we are surrounded by automation and universal connectivity. Hardware supporting the current AI industrial revolution must also increase its processing capabilities with every new generation to not only keep pace with, but help drive forward technological innovation. Onyx continues its role as a major technology innovator by creating new products focused on AI Inference at the Edge. Our AI-ready products include devices with support for Nvidia and Intel solutions, medical grade AI boxes, mobile tablets for AI inference, and the first AI all-in-one PC.



Key Features

- ◆ Support NVidia/intel Solution
- ◆ Medical grade AI Box
- ◆ The first AI All in One PC
- ◆ Mobile tablet support AI inference

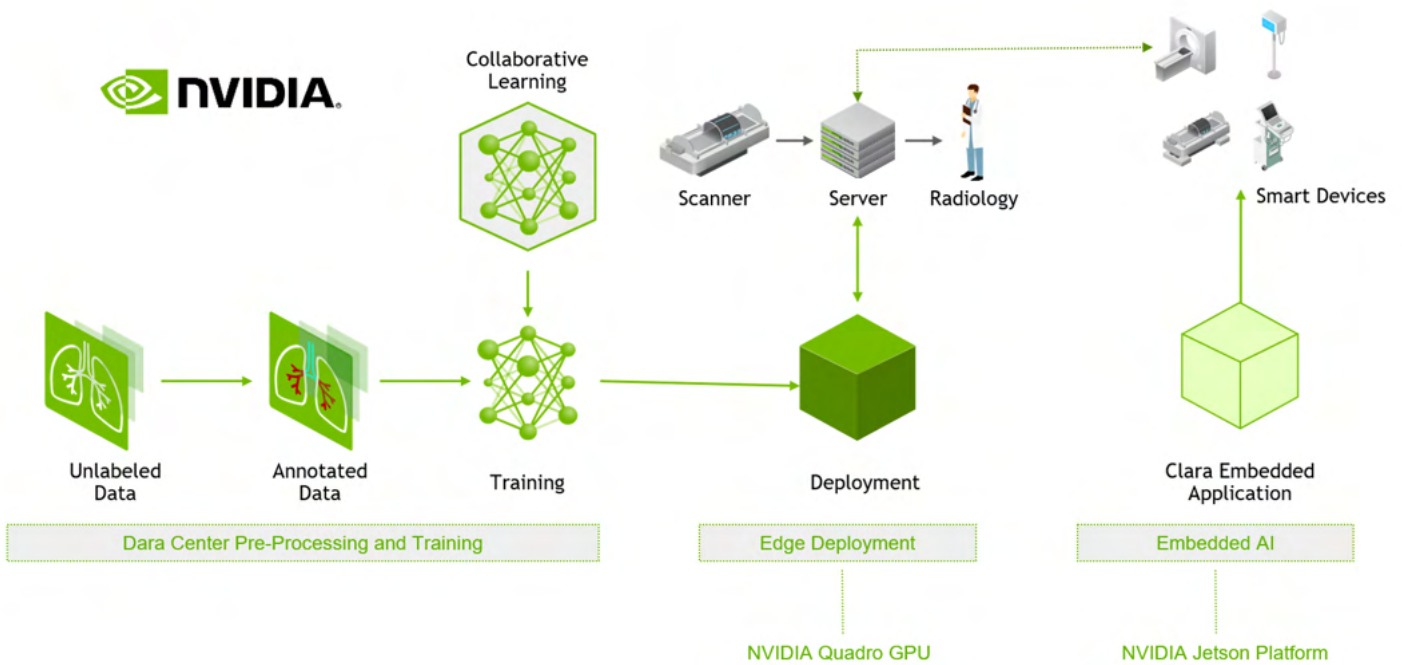




Artificial intelligence (AI) is becoming more popular in different applications, Onyx is partnering with NVIDIA to develop new AI medical products. These products highlight Onyx's close relationship with NVIDIA in our combined commitment to create better, and smarter AI medical devices and applications. With our close collaboration in medical AI product development and shared worldwide marketing programs, Onyx and NVIDIA are advancing innovation for medical AI applications.

NVIDIA CLARA

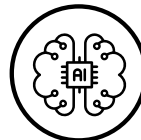
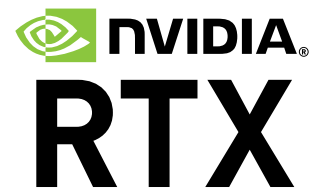
An application framework optimized for healthcare & life sciences developers



NVIDIA has partnered with Onyx Healthcare to take on the challenges of the Medical AI Age. The healthcare industry constantly demands new AI algorithms for computing paradigms to meet the growing need for personalized medicine, next-generation clinics, enhanced quality of care, and breakthroughs in biomedical research to treat disease. With NVIDIA and Onyx Healthcare working together, healthcare institutions can harness the power of artificial intelligence and high-performance computing to define the future of medicine. Onyx Healthcare sets the standard for a professional and reliable medical computer partner that we're honored to be working with.

AI INFERENCE WITH NVIDIA QUADRO

NVIDIA GPU provides an immediate path to greater deep learning performance. GPUs had evolved into highly parallel multi-core systems, allowing very efficient manipulation of large blocks of data. This design is more effective than general-purpose central processing unit (CPUs) for algorithms in situations where processing large blocks of data is done in parallel. Processing large blocks of data is basically what deep learning does.



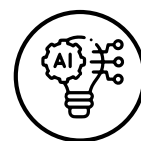
**HIGH PERFORMANCE
AI INFERENCE SYSTEM**



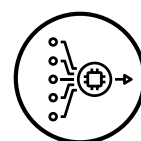
ACCELERATE AI CALCULATING

AI EDGE COMPUTING WITH NVIDIA JETSON PLATFORM

ACCEL-JS series with NVIDIA Jetson platform is a compact, high performance medical AI accelerator especially designed to fit AI market segments. Medical AI developers can utilize the ACCEL-JS series to build containerized AI-skills on the Jetson software stack. With sidecar deployment, aftermarket medical devices can be upgraded to perform AI functions with easy deployment. Furthermore, medical instruments can also have ACCEL-JS500 easily built-in with its compact size, reaching new generations with powerful AI performance. Onyx also provide OEM/ODM service. Help partner perfectly integrate medical device to healthcare field.



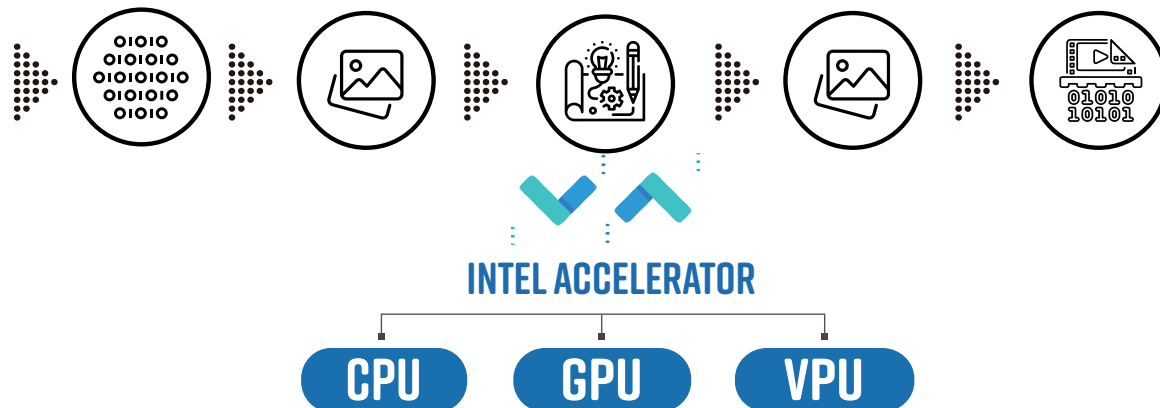
**NVIDIA JETPACK SDK FOR
END-TO-END AI APPLICATIONS
DEPLOYMENT**



**MULTIPLE I/O SUPPORT
FOR VIDEO TO DO COMPUTING
& ANALYSIS**

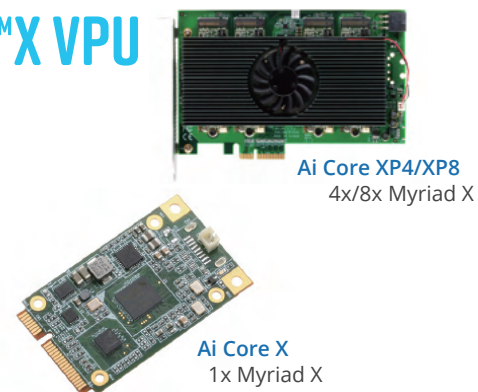


INTEL DISTRIBUTION OF OpenVINO™ TOOLKIT



INTEL AI ACCELERATOR: MOVIDIUS™ MYRIAD™ X VPU

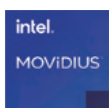
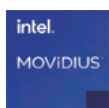
The Intel® Movidius™ Myriad™ X is a low-power high-performance VPU capable of a wide range of AI applications and is capable of processing speeds up to 105 fps (80 typical) and 1 TOPS as a dedicated neural network accelerator. The Intel® Movidius™ Myriad™ X is compatible with Intel® Distribution of OpenVINO toolkit, Making it easy to setup and run AI inference software.



OpenVINO™

INTEL DISTRIBUTION OF OPENVINO™ TOOLKIT

The Intel® Distribution of OpenVINO™ toolkit helps accelerate deep learning inference across a variety of Intel® processors and accelerators. Rather than a one-size-fits-all solution, Intel offers a powerful portfolio of scalable hardware and software solutions, powered by the Intel® Distribution of OpenVINO™ toolkit, to meet the various performance, power, and price requirements of any use case



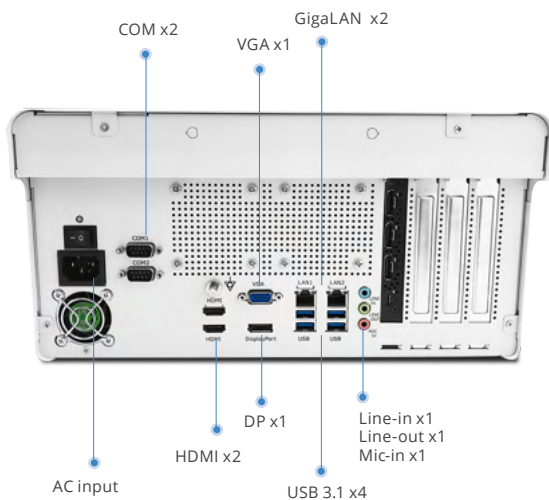
ACCEL-VM500

Medical AI Computing Platform with 9th Generation Intel Xeon / Core i7 CPU



Power button

USB 2.0 x2 /
USB 3.0 x2 (optional)



COM x2

VGA x1

GigaLAN x2

AC input

HDMI x2

DP x1

USB 3.1 x4

Line-in x1
Line-out x1
Mic-in x1

Features

- Intel® 9th generation Core I/Xeon Processor with C246A chipset
- Supports ECC DDR4 DIMM up to 64GB memory
- Excellent Thermal design with low fan noise OR room environment
- Support TPM 2.0 for security management
- Support Three 4K Displays: HDMI x 2, DP x 1
- System is medical Certified with graphic card and capture card
- Support the integration of Nvidia RTX A4000, A5000 and A6000 GPU Card
- Support CD DVD(optional)
- Support Built in speaker (optional)

Application

- Equipment control
- Video recording in OR room
- Medical AI Application

Specifications

MAIN SPECIFICATIONS

Processor	Intel® 9th generation Core I/Xeon Processor
System Memory	Supports ECC/Non-ECC DDR4 2133 DIMM x 4 up to 64GB
Chipset	Intel® C246A
OS Support	Windows® 10 , Windows® 11 , Linux (optional)
Storage Disk Drive	2.5" SATA SSD x 2, M.2 2280 M Key SSD x 1 (NVMe or SATA SSD)
TPM	2.0
Speaker (Optional)	Built in Speaker
CD DVD(Optional)	SATA DVD+/-RW White Color

I/O

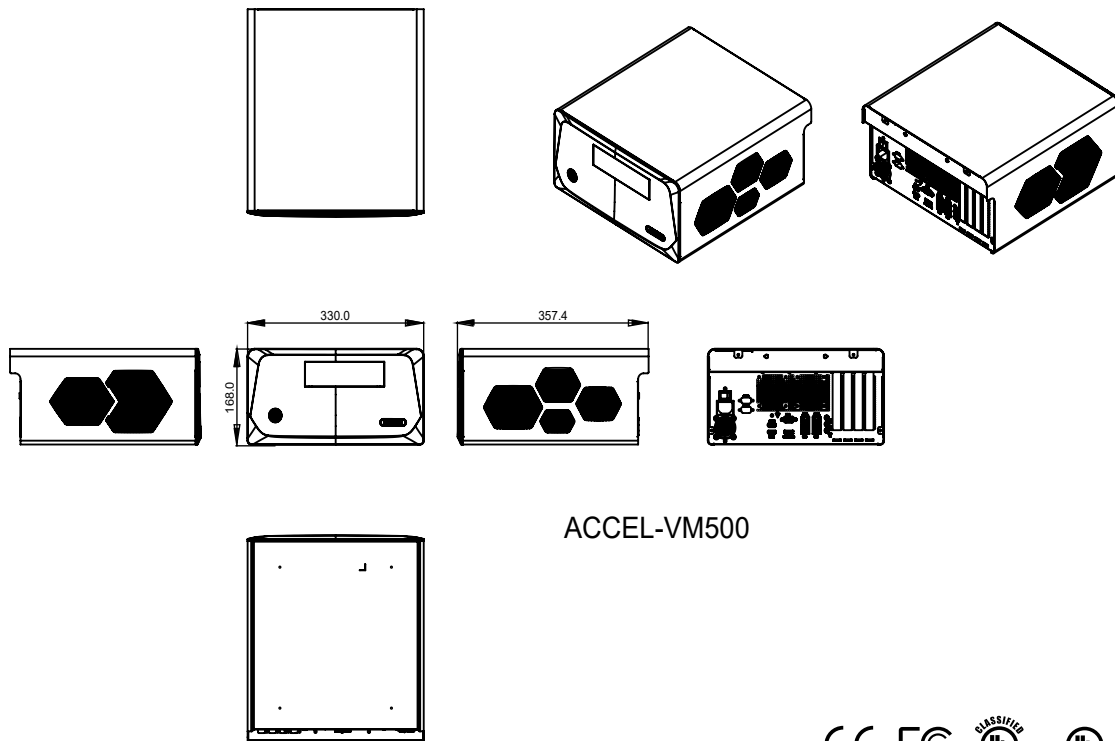
USB	Rear USB 3.1 Gen 1 x 4
	Front USB 2.0 or USB 3.0(Optional)
	Rear USB 3.1 Gen 2 x 6(Optional)
Ethernet	Gigabit LAN x 2
Audio	Line-in x 1, Mic-in x 1 and Line-out x 1
Serial Ports	RS-232 x 2
Extension area	M.2 E Key 2230 x 1 for Wireless module PCIe 3.0[x16] x1, PCIe 3.0 [x4] x2, PCIe 3.0 [x1] x 1
Capture card (optional)	4Kp60: HDMI 2.0 in FHD: HDMI x1, DVI-I x 1, YPbPr x1, SDI x1, CVBS x 1, S-Video x 1

MECHANICAL AND ENVIRONMENTAL

Power Consumption	100V to 240V AC Input, 500W
Operating Temperature	0°C ~ 35°C(32°F ~ 95°F)
Storage Temperature	-20°C ~ 60°C(-4°F ~ 140°F)
Dimension	330 x357.4 x168 mm
Package Size	500 x 490 x 300 mm
Gross Weight	8.6 kg
Net Weight	8 kg

Medical Video Management System with 9th Generation Intel Xeon / Core i7 CPU

Dimension / Unit: mm



Ordering Information

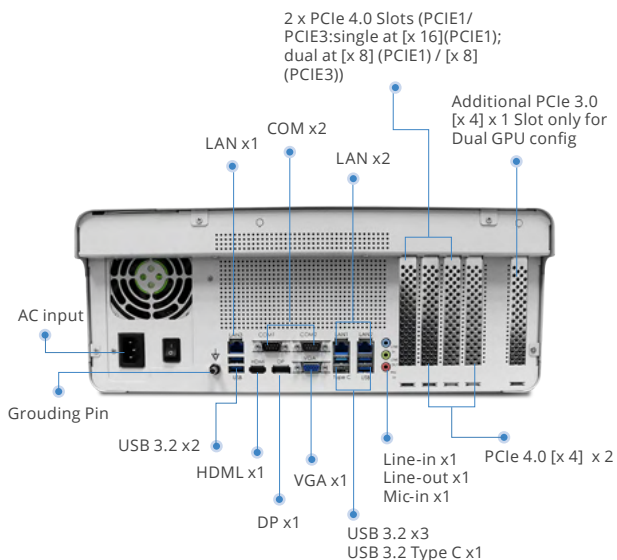
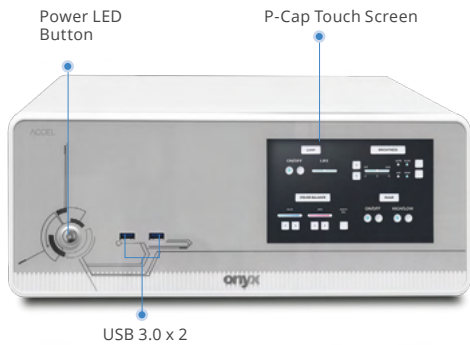
- ACCEL-VM500-N1-A1-0010
Medical Box PC.I7-9700E.FAN.4PCIe slot.AC 100~240V.White
- ACCEL-VM500-N2-A1-0010
Medical Box PC.E-2278GE.FAN.4PCIe slot.AC 100~240V.White
- ACCEL-VM500R-N1-A1-0010
4K UHD Medical Recorder.i7-9700E.Fan.16GB RAM.1TB HDD.Win 10 IoT.4Kp60+FHD.
ACCE-RM Pre-installed

Optional Accessories

- | | |
|---|--|
| <ul style="list-style-type: none"> ● OPM-C12W-A13
WLAN Kit.802.11a/b/g/n/ac.w/BT 4.1.dual ext. antenna.
Qualcomm Atheros NFA364A.for ACCEL-VM500 ● OPM-C15W-A13
WLAN Kit.802.11a/b/g/n/ac.BT 5.dual ext. antenna.
Intel AC 9260NGWGIE.NV,999LV6.for ACCEL-VM500 ● 9686666685
4k HDMI capture card.2 Port.HDMI2.0 ● 9686015601
Full HD PCIe Video.Capture Card. 1×HDMI, 1×DVI-I, 1×YPbPr,
1×SDI, 1×CVBS, 1×S-Video | <ul style="list-style-type: none"> ● A50-SEC-A1
Second 2.5" HDD/SSD kit .for ACCEL-VM500 ● A50-SPK-A2
5W Internal Speaker kit.for ACCEL-VM500 ● 9686A40000
(AOH)(TF)Graphics Card.NVIDIA Quadro RTXA4000.16GB.GDDR6.
PCI-E 4.0*16.DP 1.4.NVIDIA.RTX A4000 ● 9686A50000
(AOH)(TF)Graphics Card.NVIDIA Quadro RTXA5000.24GB.GDDR6.
PCI-E 4.0*16.DP 1.4.NVIDIA.RTX A5000 ● 9686A60000
(AOH)(TF)Graphics Card.NVIDIA Quadro RTXA6000.48GB.GDDR6.
PCI-E 4.0*16.DP 1.4.NVIDIA.RTX A6000 |
|---|--|

ACCEL-VM1000

Dual GPU card Medical AI Edge PC for Real time medical imaging application with intel i9-12900E processor



Features

- Intel® Core™ i9-12900E Processor 30M Cache, up to 5.00 GHz
- Support 4 x ECC DDR4 3200 288 pin Long-DIMM up to 128GB
- Optional 7" Front Screen with P-Cap Touch
- Support front dual USB 3.0
- Support GPIO and Remote Power Switch design for embedded use
- Support Dual Nvidia RTX A6000 cards and additional capture card installation
- Support 4 x PCIe Gen4 Slots for high end graphic card and capture card integration
- Support Medical Grade 1500W PSU for Dual GPU Card and 700W PSU for Single GPU card

Application

- Medical AI Application

Specifications

MAIN SPECIFICATIONS

Processor	Intel® Core™ i9-12900E Processor 30M Cache, up to 5.00 GHz
System Memory	ECC DDR4 3200 DIMM x 4 up to 128GB
Chipset	Intel® W680
Storage Disk Drive	2.5" SATA SSD x 2, M.2 2280 NVMe SSD x 1
TPM	2.0
Front Scree(Optional)	7" LED Panel with P-Cap Touch
Speaker (Optional)	5W x 2
OS Support	Windows® 10 and 11, Linux (optional)

I/O

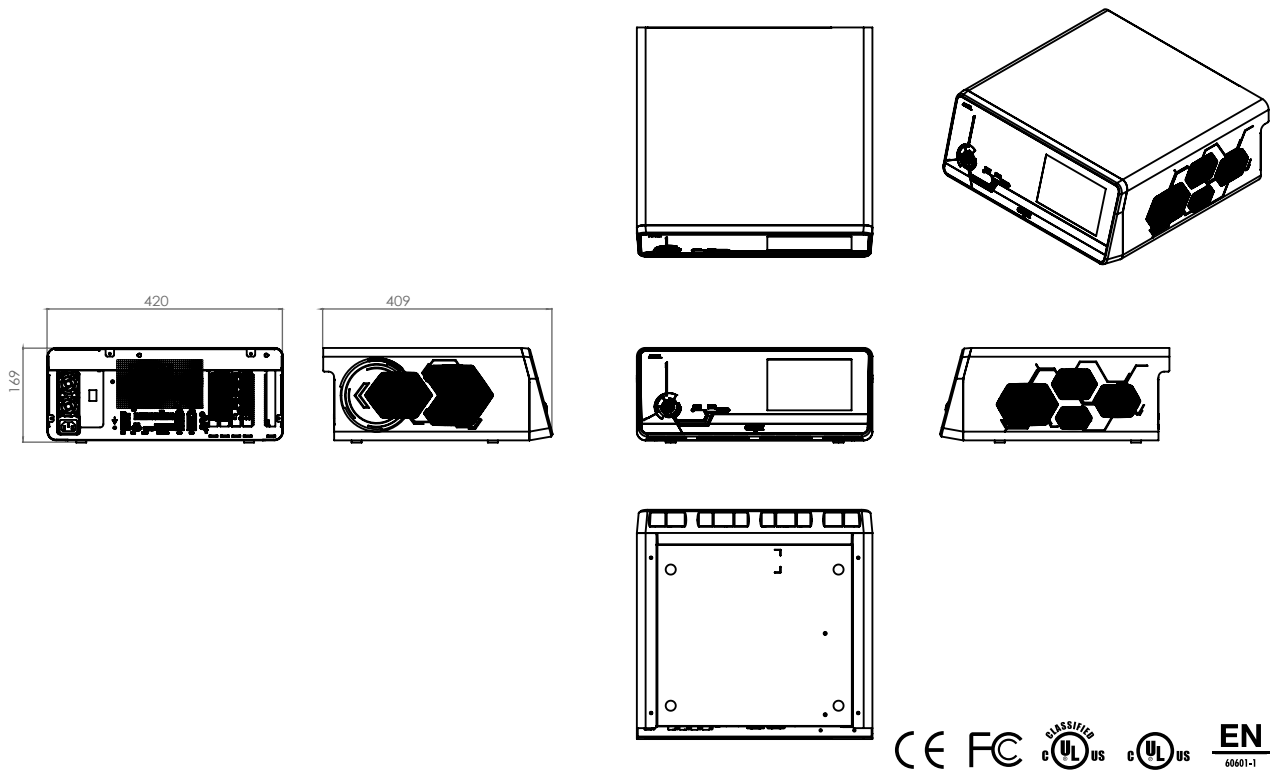
USB	USB 3.2 Gen 2 Type A x 5, USB Gen 2 20G Type C x 1
Ethernet	GigaLAN x 1, 2.5G LAN x 2
Video Out	HDMI 2.0 x 1, DP 1.4 x 1, VGA
Audio	Line-in x 1, Mic-in x 1, Line-out x 1
Series Ports	RS232 x 2
Function I/O	Remote power switch x 1 (Optional) Grounding pin x 1
Power	AC input
Front I/O	USB 3.0 x 2, Power Button x 1
Expansion I/O	2 x PCIe Gen4 Slots (PCIe1/PCIe3:single at x16(PCIe1); dual at x8 (PCIe1) / x8 (PCIe3)) with x16 connector PCIe [x 4] x 2 M.2 2230 E Key x 1 M.2 2280 M Key [PCIe x 4] x 1

MECHANICAL AND ENVIRONMENTAL

Power	100V to 240V AC Input , 700W or 1500W
Operating Temperature	0°C ~ 35°C(32°F ~ 95°F)
Storage Temperature	-20°C ~ 60°C(-4°F ~ 140°F)
Dimension	420 x 409 x 169 mm
Package Size	600 x290 x510 mm
Gross Weight	12kg
Net Weight	11kg

Dual GPU card Medical AI Edge PC for Real time medical imaging application with intel i9-12900E processor

Dimension / Unit: mm



Ordering Information

- ACCEL-VM1000-N1-A1-1010
Medical PC.i9-12900E.700W PSU, White
- ACCEL-VM1000-N1-A2-1010
Medical PC.i9-12900E.7" Panel.700W PSU.P-Cap, White
- ACCEL-VM1000-N1-A3-1010
Medical PC.i9-12900E.1500W PSU, White
- ACCEL-VM1000-N1-A4-1010
Medical PC.i9-12900E.7" Panel.1500W PSU.P-Cap , White
- ACCEL-VM1000-N2-A1-1010
Medical PC.i7-12700E.700W PSU, White
- ACCEL-VM1000-N2-A2-1010
Medical PC.i7-12700E.7" Panel.700W PSU.P-Cap, White
- ACCEL-VM1000-N2-A3-1010
Medical PC.i7-12700E.1500W PSU, White
- ACCEL-VM1000-N2-A4-1010
Medical PC.i7-12700E.7" Panel.1500W PSU.P-Cap, White

Optional Accessories

- 9686A60000
(AOH)(TF)Graphics Card.NVIDIA Quadro RTXA6000.48GB.
GDDR6.PCI-E 4.0*16.DP 1.4.NVIDIA.RTX A6000
- 9686A50000
(AOH)(TF)Graphics Card.NVIDIA Quadro RTXA5000.24GB.
GDDR6.PCI-E 4.0*16.DP 1.4.NVIDIA.RTX A5000

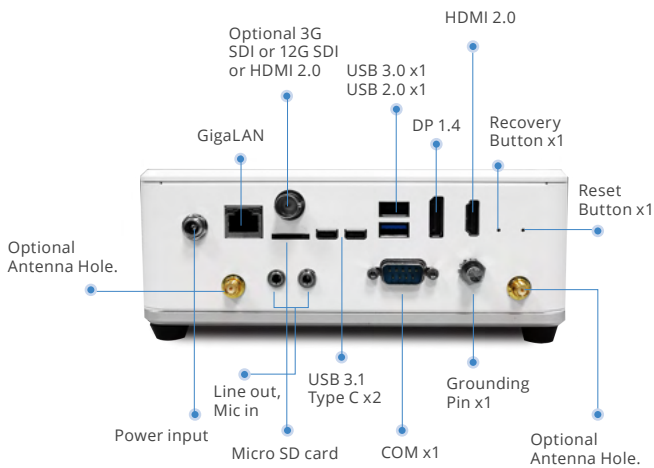
ACCEL-JS500 / JS500i



NVIDIA Jetson AGX Xavier or AGX Xavier Industrial platform for Medical AI imaging application



Power button



Features

- NVIDIA Jetson AGX Xavier or AGX Xavier Industrial Platform for Medical AI usage.
- Support AGX Xavier Industrial Platform with 10 years Longevity
- 512-core Volta GPU with Tensor Cores
- Support optional 3G or 12G or HDMI 2.0 input for image capture
- Support Dual 4K display output (HDMI and Display port)
- Support internal speaker
- Medical Certification
- Palm size dimension with powerful AI computing

Specifications

MAIN SPECIFICATIONS

	ACCEL-JS500	ACCEL-JS500i
AI Engine	NVIDIA Jetson AGX Xavier	NVIDIA Jetson AGX Xavier Industrial
CPU	8-Core ARM v8.2 64bit CPU, 8MB L2 + 4MB L3	
System Memory	32GB 256-bit LPDDR4 w/ECC	
Graphics	512 Core Volta GPU with Tensor Cores	
Storage	64GB eMMC Onboard	
	Micro SD card Slot	
Storage	M.2 M Key 2280 (Only for ACCEL-JS500-N1-A1-0010 and ACCEL-JS500-N1-A2-0010)	M.2 M Key 2280 (Only for ACCEL-JS500i-N1-A1-0010 and ACCEL-JS500i-N1-A2-0010)
	OS support	
OS support	Linux with Jetpack OS	
Security	TPM 2.0	
Speaker	2W x Speaker x 2	

I/O

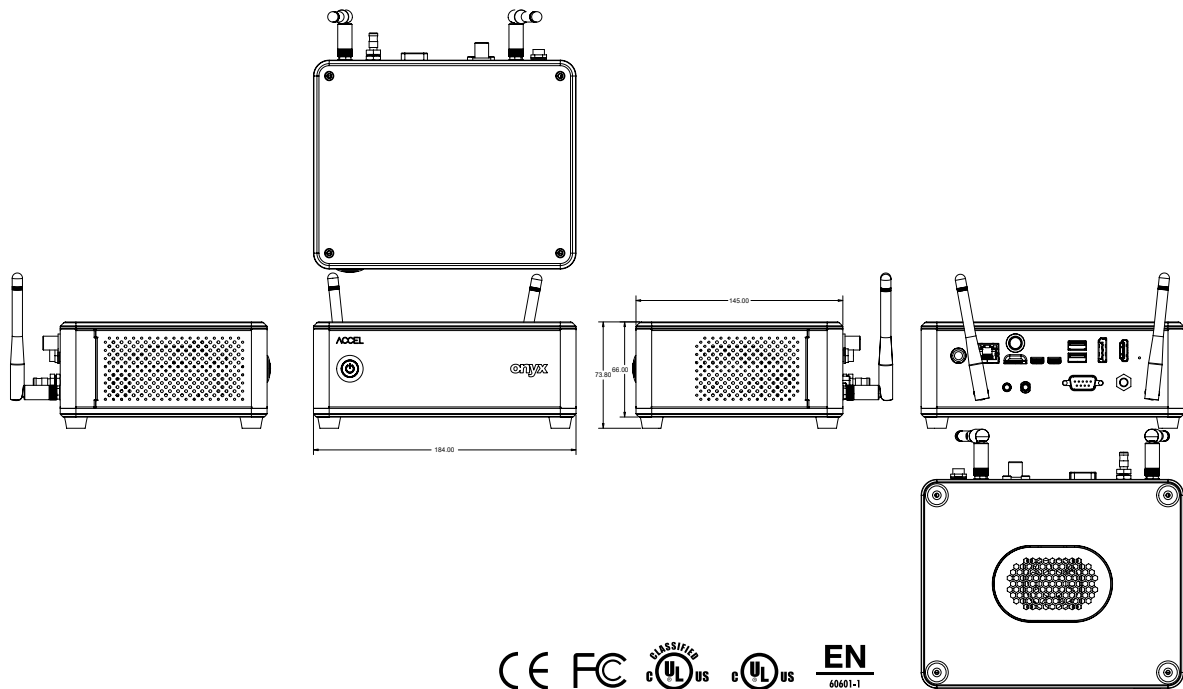
USB	USB Type C x 2 for USB 3.1
	USB Type A x 1 for USB 3.0
	USB Type A x 1 for USB 2.0
Ethernet	Gigabit LAN x 1
Video Out	HDMI 2.0 x 1, Display Port 1.4 x 1
Video input (Optional)	3G SDI x 1 or 12G SDI x 1
	3G SDI(Max resolution up to 1920x1080p@60fps) 12G SDI(Max resolution up to 4096x2160@60fps)
Audio	Mic-in x 1, Line out x 1
COM	RS232 x 1
Function Port	Reset Button x 1, Recovery Button x 1,
DC-in	12V DC Jack
Wireless Communication	802.11a/b/g/n/ac.w/BT5.0 (Optional)
LED Indicator	Power LED x 1

ENVIRONMENT AND MECHANICAL

Power	Medical adapter 12V 84W
Operating temperature	0°C ~ 35°C(32°F ~ 95°F)
Storage temperature	-20°C ~ 60°C(-4°F ~ 140°F)
Dimension	184(W) x 145(L) x 66mm(H)
Package Size	290(W) x 225(L) x 198mm(H)
Gross Weight	2.33 kg
Net Weight	1.675 kg

NVIDIA Jetson AGX Xavier or AGX Xavier Industrial platform for Medical AI imaging application

Dimension / Unit: mm



Ordering Information

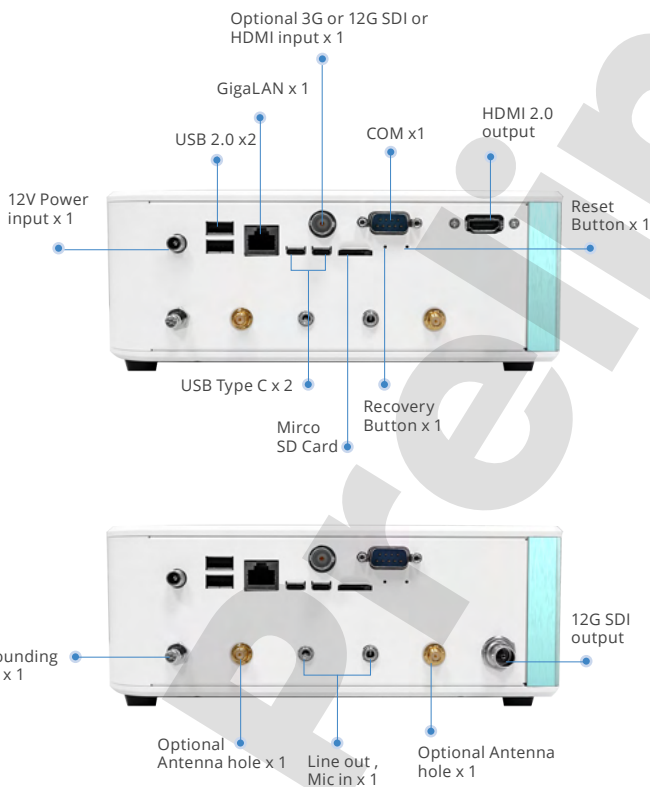
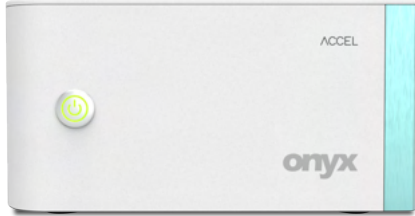
- ACCEL-JS500-N1-A1-0010
Medical grade AI box PC, Nvidia Jetson AGX Xavier, Fan. adapter with internal speaker
- ACCEL-JS500-N1-A2-0010
Medical grade AI box PC, Nvidia Jetson AGX Xavier, Fan. 3G SDI. adapter, with internal speaker
- ACCEL-JS500-N1-A3-0010
Medical grade AI box PC, Nvidia Jetson AGX Xavier, Fan. 12G SDI. adapter, with internal speaker
- ACCEL-JS500-N1-A4-0010
Medical grade AI box PC, Nvidia Jetson AGX Xavier, Fan. HDMI 2.0. adapter, with internal speaker
- ACCEL-JS500i-N1-A1-0010
Medical grade AI box PC, Nvidia Jetson AGX Xavier Industrial, Fan. adapter with internal speaker
- ACCEL-JS500i-N1-A2-0010
Medical grade AI box PC, Nvidia Jetson AGX Xavier Industrial, Fan. 3G SDI. adapter, with internal speaker
- ACCEL-JS500i-N1-A3-0010
Medical grade AI box PC, Nvidia Jetson AGX Xavier Industrial, Fan. 12G SDI. adapter, with internal speaker

Optional Accessories

- M14S500030
(AOH)(TF)Metal.AI.PC.Holder.RAL 9003 H04.Rev0.0.ACCEL-JS500
- OPM-C18W-A15
WLAN Kit.802.11a/b/g/n/ac w/BT 5.0.dual ext. antenna. Qualcomm Atheros QCNFA364A.for ACCEL-JS500

ACCEL-JS1000

NVIDIA Jetson AGX Orin platform for Medical AI imaging application



Features

- NVIDIA Jetson AGX Orin platform with 64GB LPDDR5 or 32GB LPDDR
- Powerful AI computing performance with up to 275 TOPS
- Support 12G SDI or HDMI 2.0 video output
- Compact size suitable for space limited area
- Support 3G SDI or 12G SDI video input
- Medical certified with CE/FCC/UL
- Support optional PCIe [x8] x1 for possible customization
- Support built in speaker x 2

Specifications

MAIN SPECIFICATIONS

AI Engine	NVIDIA Jetson AGX Orin
CPU	8-core Arm® Cortex®-A78AE v8.2 64-bit CPU 2MB L2 + 4MB L3 (ACCEL-JS1000-N1) 12-core Arm® Cortex®-A78AE v8.2 64-bit CPU 3MB L2 + 6MB L3(ACCEL-JS1000-N2)
System Memory	32GB or 64GB 256-bit LPDDR5 204.8 GB/s
Graphics	1792-core NVIDIA Ampere GPU with 56 Tensor Cores (ACCEL-JS1000-N1) 2048-core NVIDIA Ampere GPU with 64 Tensor Cores (ACCEL-JS1000-N2)
Storage	64GB eMMC 5.1 , 2.5" SATA SSD
OS Support	Linux 20.04 with Jetpack 5.0
Security	TPM 2.0
Speaker	2W x Speaer x 2

I/O

USB	USB Type C x 2 for USB 3.2 USB Type A x 2 for USB 2.0
Ethernet	GigaLAN x 1
Video Out	HDMI 2.0 x 1 or 12G SDI x 1
Video input	3G SDI or 12G SDI, 3G SDI(Max resolution up to 1920x1080p@60fps), 12G SDI(Max resolution up to 4096x2160@60fps)
Audio	Mic-in x 1 , Line out x 1
Serial Port	RS232 x 1
Function Port	Reset Button x 1 , Recovery Button x 1, Grounding pin x 1
DC in	12V DC Jack
Front I/O	Power Button with Power LED indicator x 1
Wireless Communication	802.11a/b/g/n/ac/ax.w/BT5.2 (Optional)
Expansion I/O	PCIe [x8] x 1(Optional)

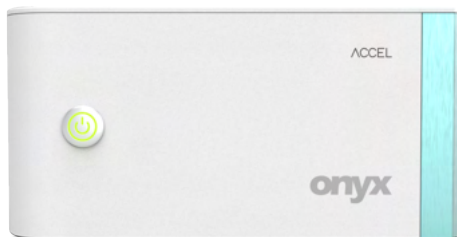
MECHANICAL AND ENVIRONMENTAL

Power	Medical adapter 12V 120W
Operating temperature	0°C ~ 35°C(32°F ~ 95°F)
Storage temperature	-20°C ~ 60°C(-4°F ~ 140°F)
Dimension	TBC
Package Size	TBC
Gross Weight	TBC
Net Weight	TBC
Certifications	CE: EN 60601-1-2:2015(V4.0), EN 60601-1:2006/A1:2013/A12:2014 (V3.1) FCC: Part 18 Class B, Part 15 Class B, UL: ANSI/AAMI ES60601-1:2012 (V3.1) cUL: CAN/CSA-C22.2 No. 60601-1:2014 (V3.1)

AI Inference Hardware

ACCEL-JS800

NVIDIA Jetson Orin NX platform for Medical AI imaging application



Features

- NVIDIA Jetson Orin NX platform with 16GB LPDDR5 or 8GB LPDDR5
- Powerful AI computing performance with up to 100 TOPS
- Support 12G SDI or HDMI 2.0 video output
- Compact size suitable for space limited area
- Support 3G SDI or 12G SDI video input
- Medical certified with CE/FCC/UL
- Support built in speaker x 2
- Fanless Design

Specifications

MAIN SPECIFICATIONS

AI Engine	NVIDIA Jetson Orin NX
CPU	6-core Arm® Cortex®-A78AE v8.2 64-bit CPU 1.5MB L2 + 4MB L3 (ACCEL-JS800-N1) 8-core Arm® Cortex®-A78AE v8.2 64-bit CPU 2MB L2 + 4MB L3(ACCEL-JS800-N2)
System Memory	8GB or 16GB 128-bit LPDDR5 102.4 GB/s
Graphics	1024-core NVIDIA Ampere GPU with 32 Tensor Cores
Storage	NVMe M.2 SSD , 2.5" SATA SSD
OS Support	Linux 20.04 with Jetpack 5.0
Security	TPM 2.0
Speaker	2W x Speaer x 2

I/O

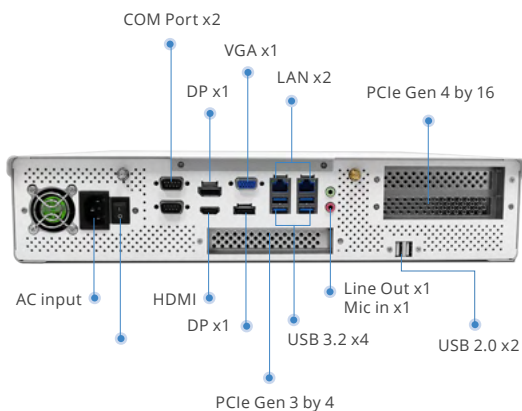
USB	USB Type C x 2 for USB 3.2 USB Type A x 2 for USB 2.0
Ethernet	GigaLAN x 1
Video Out	HDMI 2.0 x 1 or 12G SDI x 1
Video input	3G SDI or 12G SDI, 3G SDI(Max resolution up to 1920x1080p@60fps), 12G SDI(Max resolution up to 4096x2160@60fps)
Audio	Mic-in x 1 , Line out x 1
Serial Port	RS232 x 1
Function Port	Reset Button x 1 ,Recovery Button x 1, Grounding pin x 1
DC in	12V DC Jack
Front I/O	Power Button with Power LED indicator x 1
Wireless Communication	802.11a/b/g/n/ac/ax.w/BT5.2 (Optional)

MECHANICAL AND ENVIRONMENTAL

Power	Medical adapter 12V 65W
Operating temperature	0°C ~ 35°C(32°F ~ 95°F)
Storage temperature	-20°C ~ 60°C(-4°F ~ 140°F)
Dimension	TBC
Package Size	TBC
Gross Weight	TBC
Net Weight	TBC
Certifications	CE: EN 60601-1-2:2015(V4.0), EN 60601-1:2006/A1:2013/A12:2014 (V3.1) FCC: Part 18 Class B, Part 15 Class B, UL: ANSI/AAMI ES60601-1:2012 (V3.1) cUL: CAN/CSA-C22.2 No. 60601-1:2014 (V3.1)

ACCEL-VM300

Slim Size Medical AI Computing Platform with Intel® 12th generation Core I Processor



Features

- Design for 2U Rack mount Chassis
- Intel® 12th generation Core I Processor
- Support 2.5" SATA SSD and M.2 M Key 2280//2260/2242 NVMe
- Internal Medical PSU
- Support 1 x PCIe by 16 slot for Graphic card integration
- Support 1 x PCIe by 4 for capture card integration

Application

- Equipment control
- Medical AI Application

Specifications

MAIN SPECIFICATIONS

Processor	Intel® 12th generation Core I Processor
System Memory	Supports ECC/Non-ECC DDR4 2133 DIMM x 4 up to 64GB
Chipset	Intel® Q670
OS Support	Windows® 10 and 11, Linux (optional)
Storage Disk Driver	2.5" SATA SSD x 1 M.2 M Key 2280//2260/2242 NVMe x 1
TPM	2.0

I/O

USB	USB 3.2 Gen 2 x 4, USB 2.0 x 2
Ethernet	2.5 GigaLAN x 2
Video out	HDMI x 1, DP x 2, VGA x 1
Audio	Mic-in x 1, Line-out x 1
Serial Ports	RS-232 x 2
Function I/O	Grounding Pin x 1
Power	AC input
Front I/O	USB 3.0 x 2 Power Button x 1
Extension Area	M.2 E Key 2230 x 1 for Wireless module PCIe 3.0[x4] x1 PCIe 4.0[x16] x1

MECHANICAL AND ENVIRONMENTAL

Power Consumption	100V to 240V AC Input
Operating temperature	0°C ~ 35°C(32°F ~ 95°F)
Storage temperature	-20°C ~ 60°C(-4°F ~ 140°F)
Dimension	419mm x 355mm x 90 mm
Package Size	TBD
Gross Weight	TBD
Net Weight	TBD
Certifications	CE: EN 60601-1-2:2015(V4.0), EN 60601-1:2006/A1:2013/A12:2014 (V3.1) FCC: Part 18 Class B UL: ANSI/AAMI ES60601-1:2012 (V3.1) cUL: CAN/CSA-C22.2 No. 60601-1:2014 (V3.1)

AI Inference Hardware

ACCEL-A2203

22" Medical AI Accelerator with NVIDIA Ampere MXM Graphics



Features

- NVIDIA RTX A1000/A2000/A4500 MXM Graphics
- Intel® 12th generation Core™ i9/ i7/ i5 Processor
- Supports Dual Channel DDR4 3200 SODIMM up to 64GB
- 22" Full HD High Contrast LCD
- Capacitive Multi-Touch Screen
- Two Gigabit Ethernet
- High Speed USB 3.2 Gen2 Ports
- RS-232 x 2
- 8MP Camera with Mic (optional)
- Imprivata RFID Reader (optional)
- Reading Light

Specifications

MAIN SPECIFICATIONS

Processor	Intel® 12th Gen Core i9-12900TE 16 Cores up to 4.80GHz Intel® 12th Gen Core i7-12700TE 12 Cores up to 4.60GHz Intel® 12th Gen Core i5-12500TE 6 Cores up to 4.30GHz
System Memory	Supports Dual Channel DDR4 3200 SODIMM up to 64GB
Expansion	M.2 2280 M Key x1
Graphics	NVIDIA RTX A1000/A2000/A4500
OS Support	Windows® 10, Windows® 11, Linux®
Storage Disk Driver	2.5" SATA Hard Disk Drive/SSD x 1
Security	Trusted Platform Module 2.0 , Imprivata RFID Reader (optional)
Wireless Communication	802.11 ac (optional), 802.11 ax (optional), Bluetooth 5 (optional)
Speaker	2W x 2
Function Key	LCD Brightness Up/Down, Touch Screen On/Off, Reading Light On/Off
Power Requirement	AC 100~240V

DISPLAY

Size	22" LCD
Resolution	1920 x 1080
Luminance	250 nits
View Angle	178°(H)/178°(V)
Contrast Ratio	1000:1
Back Light Life Time	50,000 Hours
Touch Screen	Capacitive Multi-Touch

I/O

USB	USB 3.2 Gen2 x2, USB 2.0 x2
Serial Port	RS-232 x 2
Ethernet	2.5 Gigabit LAN x2
Video Out	Display Port 1.4 x2, HDMI 2.0b x1
Audio	Mic-in, Line-out

MECHANICAL AND ENVIRONMENTAL

Operating Temperature	0°C ~ 35°C(32°F ~ 95°F)
Storage Temperature	-20°C ~ 60°C(-4°F ~ 140°F)
Mounting VESA	75/100 mm
Degree of Protection	IP65 in the front ; IPX1 in the back
Dimension	542 x 355 x 67mm
Package Size	711 x 195 x 503mm
Gross Weight	14 kg (30.86 lb)
Net Weight	7.5 kg(16.5 lb)
Certifications	CE: EN 60601-1-2:2015(V4.0), EN 60601-1:2006/A1:2013(V3.1) FCC: Part 18 Class B UL: ANSI/AAMI ES60601-1:2012 (V3.1) cUL: CAN/CSA-C22.2 No. 60601-1:2014 (V3.1)

MEDICAL CART COMPUTER

Onyx has developed an all in one panel computer that provides 24/7 non-stop service and offers true mobility. Venus, the medical portable computer, features dual hot swappable batteries system and universal mounting slots. The battery system allow users to replace one of the batteries without turning the computer off. Also, the dual batteries design supply a very long running time and short charging time. Lightweight design with Magnesium alloy rear cover provides high strength and great heat dissipation, and it has mounting slots that will fit any medical cart. Small features that come with the unit such as RFID, reading light bar, and smart card scanner come in handy for the operator.

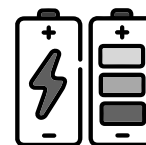


Key Features

- ◆ Highest level of medical safety protection, EMC4.0 / Safety3.1
- ◆ Built-in dual battery to provide Max 260Wh power for standing 18 hours operating.
- ◆ Support running as 24/7 by swapping batteries.
- ◆ With magnesium alloy rear cover provides high strength , light weight ,and great heat dissipation.
- ◆ ORION, Hospital IT Management Software Package.
- ◆ Hi-speed recharge, flexible mounting type

NO PENDING FOR CHARGING

Swappable batteries are small and light enough to be changed with one hand while also providing long-lasting, nonstop power.



CLEANABILITY WITH HOSPITAL SOLVENTS

Venus Series was designed for using in hospital environment. The Front IP65 waterproof and non-gap design was made it more easy to be clean with hospital solvent, and fit almost all the cleaning strategies.



EASY TO MANAGEMENT REMOTELY (ORION)

ORION, a hospital IT management software package. Remotely monitor battery status including charging cycles, temperature, capacity, and usage statistics, or set custom reminders.



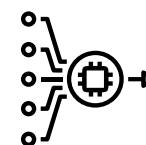
TPM

A Trusted Platform Module increase privacy and security utilizing hardware-encryption with files to ensure sensitive information remains safe and secure.



EXTERNAL OUTPUT

24W DC output connector supplies power to additional medical devices



LIGHTWEIGHT DESIGN

Magnesium alloy construction and 300g batteries ensure the unit is sturdy, yet easy to carry, position and handle.



SUCCESSFUL STORY

The Venus-Mobile Cart Computer was chosen for use by our nursing staff at the Taiwan Chiang Kai-shek Memory Hospital. The swappable battery saves my time so I can spend more time taking care of more patients. I no longer need to push around a heavy cart from room to room or always look for a socket to charge the battery. I love the lightweight battery and cableless design of Venus which makes the cart lighter and gives me the mobility to move effortlessly and work efficiently. I recommend the Venus series as a practical and useful medical computer for nurses and hospitals.

Hospital: Chiang Kai-shek Memory Hospital

Nurse : Lucy Wu

Location Taiwan

Benefit : * Extremely

* No idle time, Better Efficiency

* Perfect battery SW

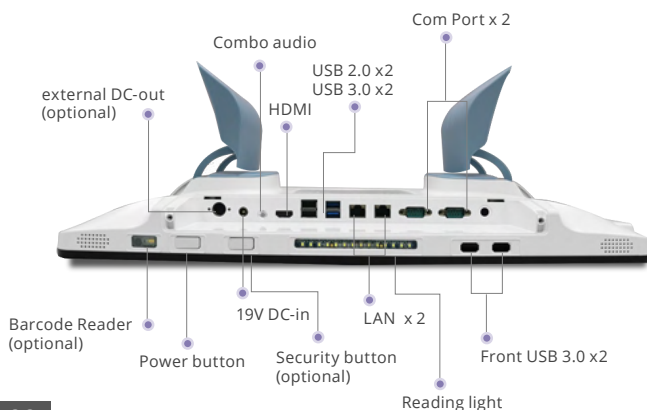
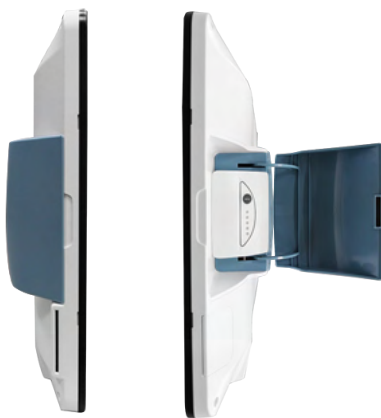
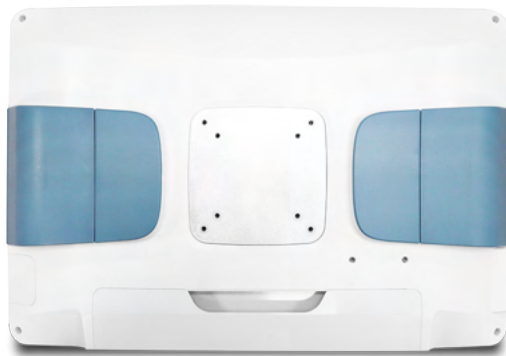
Venus
Mobile Cart Computer



Medical Cart Computer

Venus-224/244

22",24" Dual Hot Swappable Battery Medical Cart Computer



Features

- Intel 11th gen Tigerlake, fan less implementation
- Windows 11 and IGEL Compliant
- Dual Hot Swap Batteries
- Easy cleanable and anti-bacterial
- Internal Imprivata compliant RFID reader (optional)
- WiFi 6 (optional)
- Compliant with all Venus batteries
- Remotely Manageable by central IT departments

Specifications

MAIN SPECIFICATIONS

	Venus-224	Venus-244
Processor	Intel® 11th generation Core i7 1165G7 / i5 1135G7	
System Memory	DDR4 up to 64GB	
OS Support	Microsoft® Windows 11 Microsoft® Windows 10 (64bit) Ubuntu 20.04 LTS IGEL (thin client solution)	
Storage	m.2 SSD up to 1TB	
Wireless Communication	802.11 ac/a/b/g/n + BT 4.1 (optional) Wifi6 + BT 5.2 (optional)	
Touch	PCT (optional)	
Speaker	3W x2	
Trusted Platform Module	TPM 2.0	
Security	Smart Card Reader (optional) Imprivata RFID reader (optional) Barcode reader (optional)	
Waterproof	Front IP65 ; rear IPX1	

DISPLAY

	Venus-224	Venus-244
Display Size	21.5"	23.8"
Resolution	FHD 1920 x 1080	FHD 1920 x 1080
Max. Colors	16.7M	16.7M
Contrast Ratio	1000:1	3000:1
Luminance (cd/m2)	250	250

I/O

USB	Rear I/O :USB 3.0 x2, USB 2.0 x2 Front button I/O : USB 3.0 x2
Video Out	HDMI 1.4 x1
COM	COM port x2
Audio	Combo audio port x1
Ethernet	1.5kv isolated Gigabit LAN x2
DC-in	19V DC-in x1

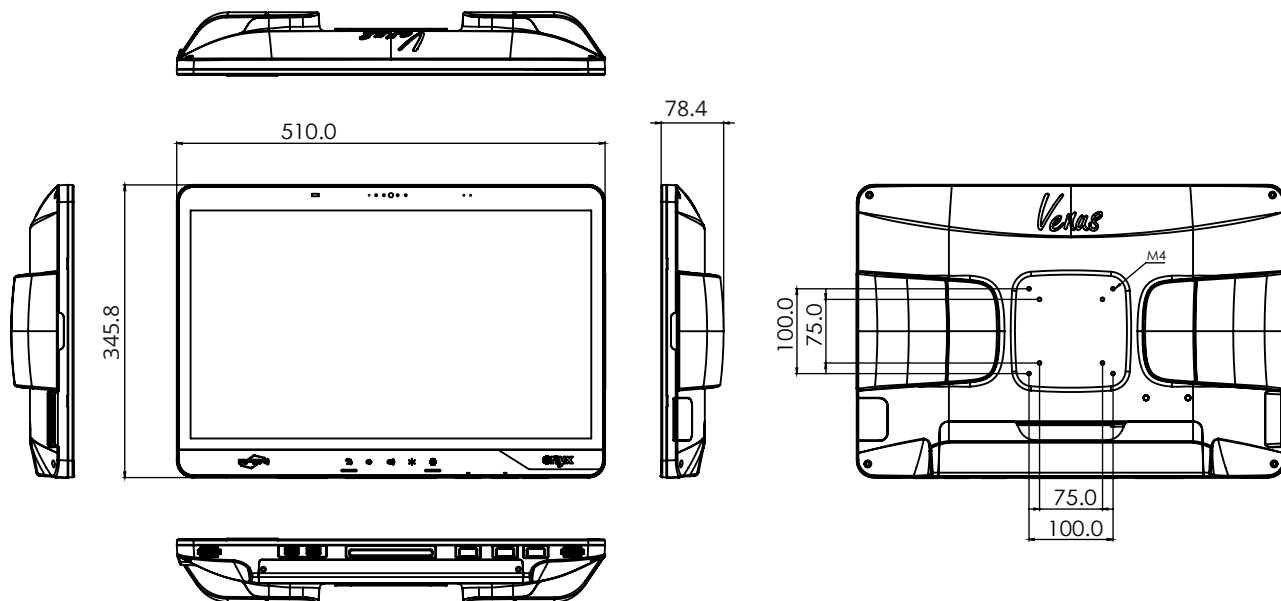
MECHANICAL AND ENVIRONMENTAL

VESA	75/100 mm VESA mount	
Operating Temperature	0°C ~ 35°C(32°F ~ 95°F)	
Storage Temperature	-20°C ~ 60°C(-4°F ~ 140°F)	
Storage Humidity	10%~95%@40°C, non-condensing	
Dimension	510(L) x 78.4(W) x 346(H)	560(L) x 78.4(W) x 373(H)
Net Weight	6kg	7kg
Gross Weight	10kg(26.5lbs)	11kg(24.3lbs)
Package Size	645(L) x 210(W) x 513(H) mm	730(L) x 240(W) x 550(H) mm
Certifications	CE: EN 60601-1-2:2015(V4.0), EN 60601-1:2006/ A1:2013(V3.1) FCC: Part 18 Class B UL: ANSI/AAMI ES60601-1:2012 (V3.1) cUL: CAN/CSA-C22.2 No. 60601-1:2014 (V3.1)	

ALL PRODUCT, PRODUCT SPECIFICATIONS AND DATA ARE SUBJECT TO CHANGE WITHOUT NOTICE TO IMPROVE RELIABILITY, FUNCTION OR DESIGN OR OTHERWISE.

22",24" Dual Hot Swappable Battery Medical Cart Computer

Dimension / Unit: mm



Ordering Information

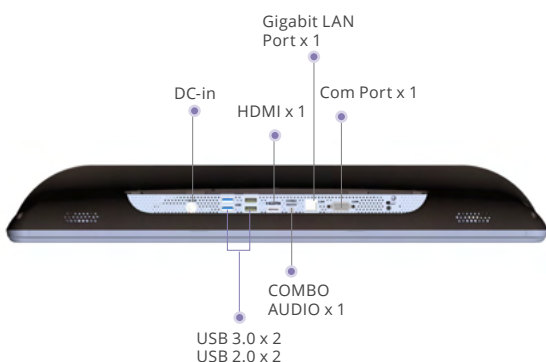
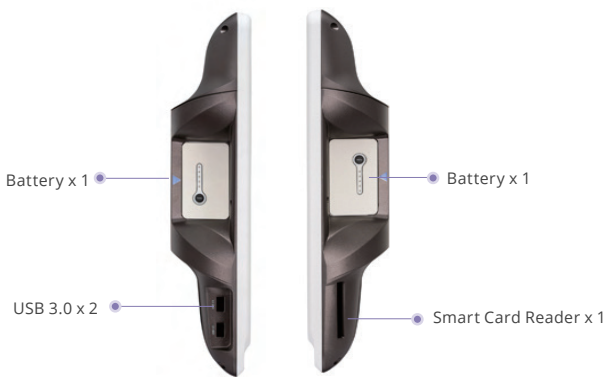
- VENUS-224-P35-A1-0000
Cart Computer.i5 1135G7.22".Fanless.PCT.TPM
- VENUS-224-G75-A1-0000
Cart Computer.7505.22".Fanless.TPM
- VENUS-244-P35-A1-0000
Cart Computer.i5 1135G7.24".Fanless.PCT.TPM
- VENUS-244-G75-A1-0000
Cart Computer.7505.24".Fanless.TPM

Optional Accessories

- 125530120B
19V medical adapter
- DDR4-08G-04
DDR4 3200 8GB RAM
- SSD-256GB-003
(AOH)(TF)M.2 2242 SSD.TLC.256GB
- 9789BAXL14
2 XL Battery Kit(long).Li-ion 3S3P.10.95V.Venus/UPower.
volume package
- OPM-C17W-A1
Wifi 6 (intel ax200) for Venus-22x
- OPM-C15W-A8
WLAN Kit 802.11 a/b/g/n/d . BT 5 . dual band antenna.
Intel AC9260
- OPM-T035-A1
Smart card reader
- OPM-S02R-A3
RFID (imprivata compatible)
- OPM-V02C-A1
Hello camera
- OPM-S09R-A1
Barcode reader
- OPM-T036-A1
Customize physical button
- OPM-T037-A1
Alarm LED

Venus-243

23.8" Dual Hot Swappable Battery Medical Cart Computer



Features

- Highest level of medical safety protection , EMC4.0/ Safety 3.1
- Cleanability with Hospital Solvents (front IP65)
- Hot swappable design, support 24/7 run time
- Intel® Skylake Dual-Core i5 / i7
- Support remote monitor/control/update (ORION compatible)
- Lightweight design
- Front reading light bar

Specifications

MAIN SPECIFICATIONS

Processor	Intel® Skylake Dual-Core i5 / i7 , Celeron 3955U
System Memory	DDR4 up to 32GB
OS Support	Microsoft® Windows 7 Microsoft® Windows 8.1 Microsoft® Windows 10 Ubuntu 18.04 LTS IGEL (thin client solution)
Graphics	Intel® HD Graphics 520
Storage	SSD up to 512GB (optional)
Wireless Communication	802.11 ac/a/b/g/n + BT (optional)
Touch	PCT
Speaker	2W x2
Security	TPM 2.0 (Trusted Platform Module), Smart Card Reader, RFID ISO 15693/14443A (optional)

DISPLAY

Display Size	23.8" VA panel
Resolution	1920 x 1080
Max. Colors	16.7M
Contrast Ratio	3000:1
Luminance (cd/m2)	250

I/O

USB	Rear I/O: USB 3.0 x 2, USB 2.0 x 2 Side I/O : USB 3.0 x 2
Video Out	HDMI out x1
COM	COM port x1
Audio	Combo audio port x1
Security	Kensington slot
Ethernet	Gigabit LAN x1
DC-in	24V DC-in x1

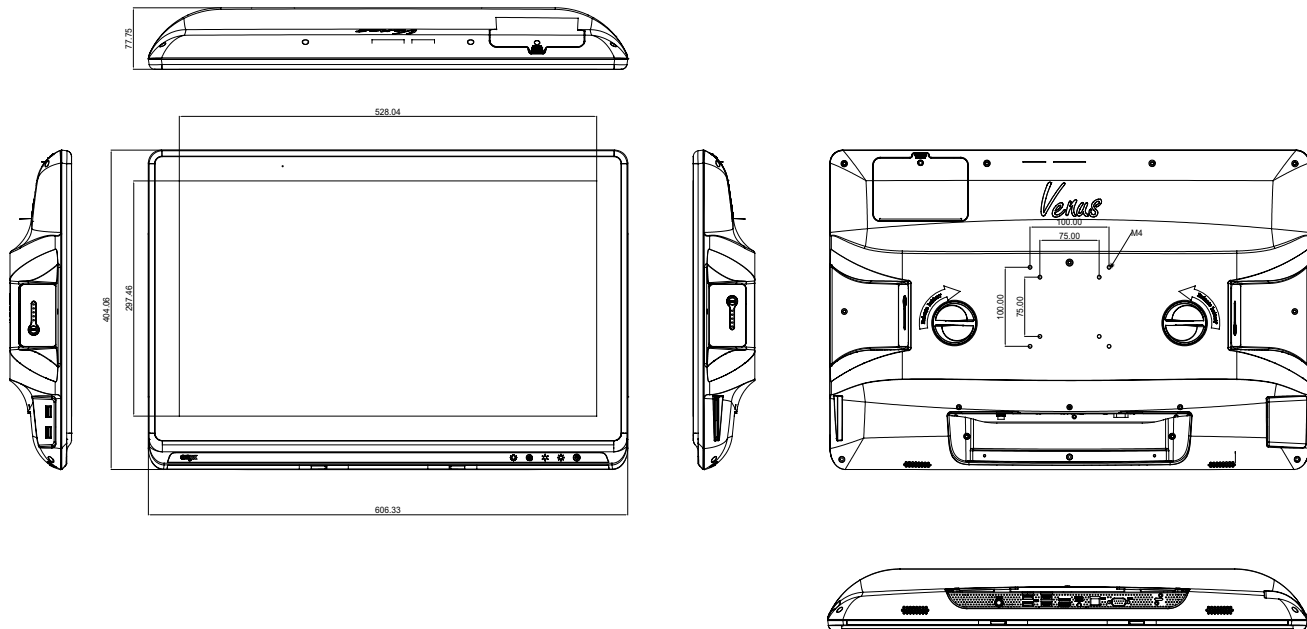
MECHANICAL AND ENVIRONMENTAL

VESA	75/100 mm VESA mount
Operating Temperature	0°C ~ 40°C (32°F ~ 104°F)
Storage Temperature	-20°C ~ 60°C (-4°F ~ 140°F)
Storage Humidity	10%~95%@40°C, non-condensing
Degree of Protection	Front Panel: IP65 ; Rear: IPX1
Dimension	607(L) x 78(W) x 404(H) mm
Net Weight without Battery	8kg (17.6 lbs)
Packing Size	730(L) x 240(W) x 550(H) mm
Gross Weight	12kg (26.5 lbs)
Certifications	CE: EN 60601-1-2:2015(V4.0), EN 60601-1:2006/ A1:2013(V3.1) FCC: Part 18 Class B UL: ANSI/AAMI ES60601-1:2012 (V3.1) cUL: CAN/CSA-C22.2 No. 60601-1:2014 (V3.1)

ALL PRODUCT, PRODUCT SPECIFICATIONS AND DATA ARE SUBJECT TO CHANGE WITHOUT NOTICE TO IMPROVE RELIABILITY, FUNCTION OR DESIGN OR OTHERWISE.

23.8" Dual Hot Swappable Battery Medical Cart Computer

Dimension / Unit: mm



Ordering Information

- VENUS-243ST-A1-1010
Cart Computer.i5.6300U,24".Fanless.PCT.4G RAM.SCR.TPM. XL Battery x2
- VENUS-243E-A3-0402
Cart Computer.3955U. 24".Fanless.4G RAM.SCR.TPM. XL Battery x2

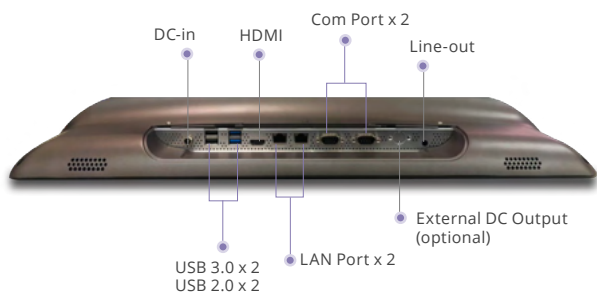
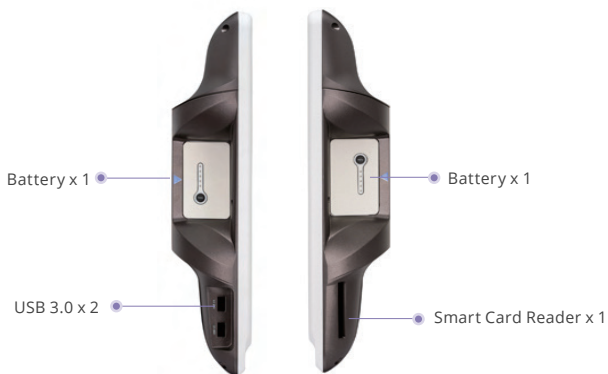
Optional Accessories

- 1255301501
Medical Adaptor. 100-240V/1.0-2.5A 24V/6.25A 150W
- OPM-S02R-A1
RFID Reader Kit
- OPM-C15W-A8
WLAN dual band module Kit.Intel 802.11a/b/g/n/ac+BT 5.
- UP-L62-A1-1010
6-Slot Charger + 24V/250W adaptor
- UP-P22-A2-1010
2-Slot Charger + 24V Medical adaptor
- OPM-V02C-05
5MP Camera kit with Mic

Medical Cart Computer

Venus-243-AMD

23.8" Dual Hot Swappable Battery Medical Cart Computer



Features

- Medical grade certified (EN60601-1/UL60601-1)
- Cleanability with hospital solvents (front IP65/rear IPX1)
- Hot swappable design, support 24/7 run time
- AMD Ryzen™ V1202B / V1605B
- Support remote monitor/control/update (ORION compatible)
- Lightweight design

Specifications

MAIN SPECIFICATIONS

Processor	AMD Ryzen™ V1202B / V1605B
System Memory	Up to DDR4 32GB
OS Support	Microsoft® Windows 10 pro (64bit) Microsoft® Windows 10 IOT Enterprise (64bit) Ubuntu 18.04 LTS
Storage	Up to 512 GB (optional)
Wireless Communication	802.11 ac/a/b/g/n + BT 4.0 (optional)
Touch	PCAP
Speaker	2W x2
Security	TPM2.0 SmartCard Reader RFID ISO 15693 / 14443A (optional)

DISPLAY

Display Size	23.8" VA panel
Resolution	1920 x 1080
Max. Colors	16.7M
Contrast Ratio	3000:1
Luminance (cd/m2)	250

I/O

USB	Rear I/O : USB 3.0 x2, USB 2.0 x2 Side I/O : USB 3.0 x2
Video Out	HDMI
COM	COM port x2 (isolated optional)
Audio	Combo Audio port x1
Security	Kensington slot
Ethernet	Gigabit LAN x 2
DC-in	24V 2.5mm DC connector x1

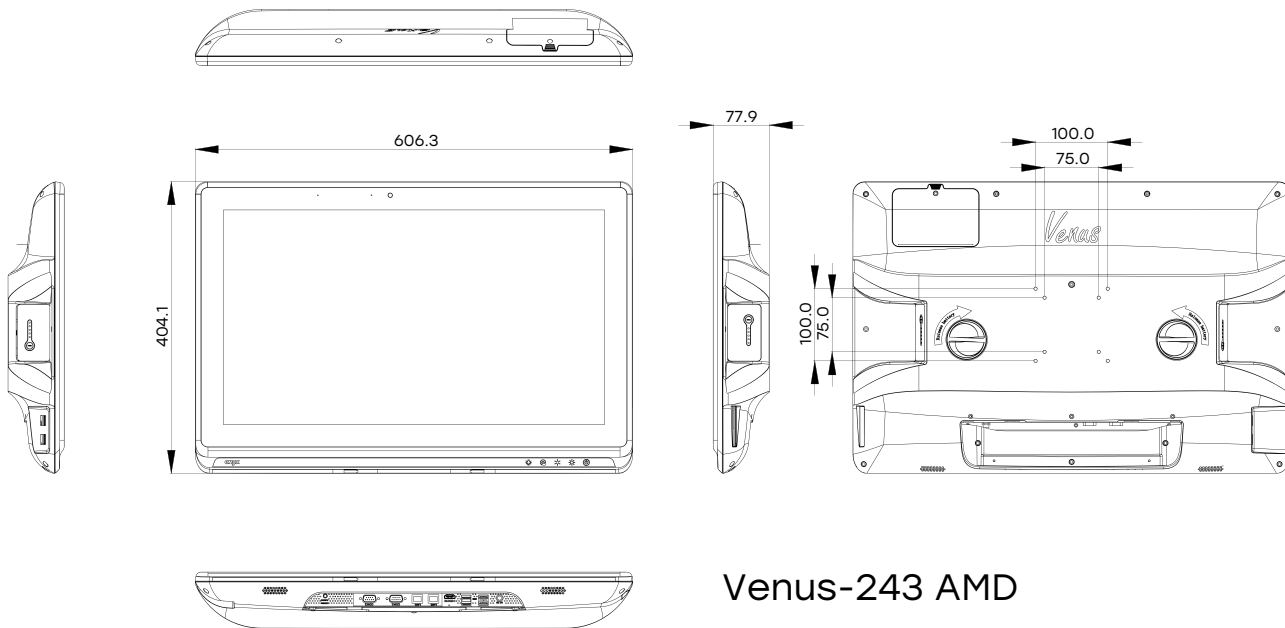
MECHANICAL AND ENVIRONMENTAL

VESA	75/100 mm VESA mount
Operating Temperature	0°C ~ 40°C(32°F ~ 104°F)
Storage Temperature	-20°C ~ 60°C(-4°F ~ 140°F)
Storage Humidity	10%~95%@40°C, non-condensing
Degree of Protection	Front Panel: IP65 ; Rear: IPX1
Dimension	607(L) x 78(W) x 404(H) mm
Net Weight without Battery	8kg (17.6 lbs)
Packing Size	730(L) x 240(W) x 550(H) mm
Gross Weight	12kg (26.5 lbs)
Certifications	CE: EN 60601-1-2:2015(V4.0), EN 60601-1:2006/ A1:2013(V3.1) FCC: Part 18 Class B UL: ANSI/AAMI ES60601-1:2012 (V3.1) cUL: CAN/CSA-C22.2 No. 60601-1:2014 (V3.1)

ALL PRODUCT, PRODUCT SPECIFICATIONS AND DATA ARE SUBJECT TO CHANGE WITHOUT NOTICE TO IMPROVE RELIABILITY, FUNCTION OR DESIGN OR OTHERWISE.

23.8" Dual Hot Swappable Battery Medical Cart Computer

Dimension / Unit: mm



Venus-243 AMD



Ordering Information

- VENUS-243-G12-A1-0402
Cart Computer.AMD V1202B . 24". 4G. SCR . TPM. XL Battery x2

Optional Accessories

- 1255301501
Medical Adaptor. 100-240V/1.0-2.5A 24V/6.25A 150W
- OPM-S02R-A1
RFID Reader Kit
- OPM-C15W-A8
WLAN dual band module Kit . Intel 802.11a/b/g/n/ac +BT 5
- UP-L62-A1-1010
6-Slot Charger + 24V/250W adaptor
- UP-P22-A2-1010
2-Slot Charger + 24V Medical adaptor
- OPM-V02C-05
5MP Camera kit with Mic

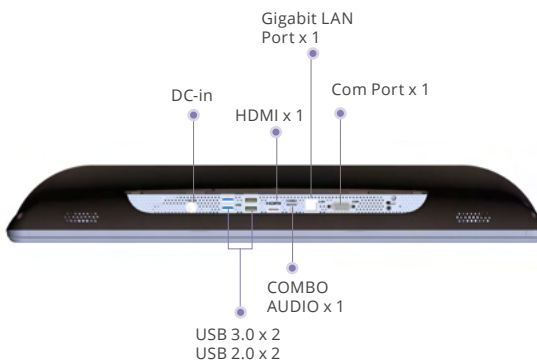
Medical Cart Computer

Venus-223

21.5" Dua Hot Swappable Battery Medical Cart Computer



Battery x 1 Battery x 1
 USB 3.0 x 2 Smart Card Reader x 1



Features

- Highest level of medical safety protection
- Cleanability with hospital solvents (front IP65)
- Hot swappable design, support 24/7 run time
- Intel® Skylake Dual-Core i5 / Quad-Core J1900
- Support remote monitor/control/update (ORION compatible)
- Lightweight design
- Front reading light bar

Specifications

MAIN SPECIFICATIONS

Processor	Intel® Skylake Dual-Core i5 /i7
System Memory	DDR4 up to 32GB
OS Support	Microsoft® Windows 7 Microsoft® Windows 8.1 Microsoft® Windows 10 Ubuntu 18.04 LTS IGEL (thin client solution)
Graphics	Intel® HD Graphics 520
Storage	SSD up to 512GB (optional)
Wireless Communication	802.11 ac/a/b/g/n + BT 4.0 (optional)
Camera	2MP/5MP camera (optional)
Touch	PCT, R-TS (optional)
Speaker	2W x2
Security	TPM 2.0 Smart Card Reader, RFID ISO 15693/14443A (optional)

DISPLAY

Display Size	21.5" VA panel
Resolution	1920 x 1080
Max. Colors	16.7M
Contrast Ratio	1000:1
Luminance (cd/m2)	250

I/O

USB	Rear I/O : USB 3.0 x2, USB 2.0 x2 Side I/O : USB 3.0 x2
Video Out	HDMI 1.4 x1
COM	COM port x1
Audio	Combo audio port x1
Security	Kensington slot
Ethernet	Gigabit LAN x1
DC-in	24V DC-in x1

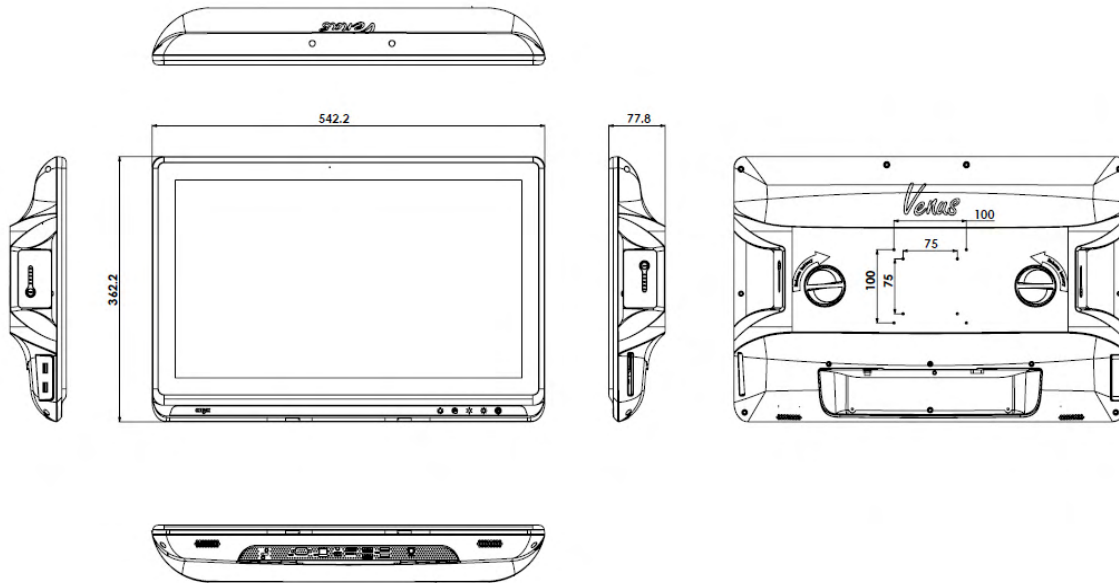
MECHANICAL AND ENVIRONMENTAL

VESA	75/100 mm VESA mount
Operating Temperature	0°C ~ 40°C(32°F ~ 104°F)
Storage Temperature	-20°C ~ 60°C(-4°F ~ 140°F)
Storage Humidity	10%~95%@40°C, non-condensing
Degree of Protection	Front Panel: IP65 ; Rear: IPX1
Dimension	542(L) x 78(W) x 362(H) mm
Net Weight	7kg (15.4 lbs)
Packing Size	645(L) x 210(W) x 513(H) mm
Gross Weight	11kg (24.3 lbs)
Certifications	CE: EN 60601-1-2:2015(V4.0), EN 60601-1:2006/ A1:2013(V3.1) FCC: Part 18 Class B UL: ANSI/AAMI ES60601-1:2012 (V3.1) cUL: CAN/CSA-C22.2 No. 60601-1:2014 (V3.1)

ALL PRODUCT, PRODUCT SPECIFICATIONS AND DATA ARE SUBJECT TO CHANGE WITHOUT NOTICE TO IMPROVE RELIABILITY, FUNCTION OR DESIGN OR OTHERWISE.

21.5" Dual Hot Swappable Battery Medical Cart Computer

Dimension / Unit: mm



Ordering Information

- VENUS-223ST-A1-0002
Cart Computer.i5 6300U.22".Fanless.PCT.SCR.TPM.XL Battery x2
- VENUS-223ET-A7-1010
Cart Computer. i7. 22". Fanless. R-TS. 4GB RAM. SCR. TPM. XL . Battery x2

Optional Accessories

- 1255301501
Medical Adaptor. 100-240V/1.0-2.5A 24V/6.25A 150W
- OPM-S02R-A0
RFID Reader Kit
- OPM-C15W-A8
WLAN dual band module Kit.Intel 802.11a/b/g/n/ac+BT 5.
- UP-L62-A1-1010
6-Slot Charger + 24V/250W adaptor
- UP-P22-A2-1010
2-Slot Charger + 24V Medical adaptor
- OPM-V02C-04
5MP Camera kit with Mic

Medical Cart Computer

Venus-223-AMD

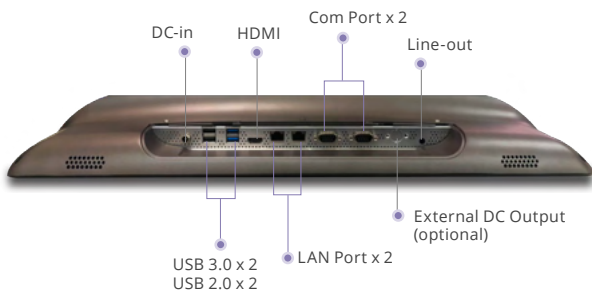
21.5" Dual Hot Swappable Battery Medical Cart Computer



Battery x 1 Battery x 1
 USB 3.0 x 2 Smart Card Reader x 1



Battery x 1 Battery x 1
 USB 3.0 x 2 Smart Card Reader x 1



DC-in HDMI Com Port x 2 Line-out
 USB 3.0 x 2 LAN Port x 2
 External DC Output (optional)

Features

- Medical grade certified (EN60601-1/UL60601-1)
- Cleanability with hospital solvents (front IP65/rear IPX1)
- Hot swappable design, support 24/7 run time
- AMD Ryzen™ V1202B / V1605B
- Support remote monitor/control/update (ORION compatible)
- Lightweight design
- Front reading light bar

Specifications

MAIN SPECIFICATIONS

Processor	AMD Ryzen™ V1202B / V1605B
System Memory	Up to DDR4 32GB
OS Support	Microsoft® Windows 10 pro (64bit) Microsoft® Windows 10 IOT Enterprise (64bit) Ubuntu 18.04 LTS
Storage	Up to 512 GB
Wireless Communication	802.11 ac/a/b/g/n + BT 4.0 (optional)
Touch	PCAP, R-TS(optional)
Speaker	2W x2
Security	TPM2.0 SmartCard Reader RFID ISO 15693 / 14443A (optional)

DISPLAY

Display Size	21.5" VA panel
Resolution	1920 x 1080
Max. Colors	16.7M
Contrast Ratio	1000:1
Luminance (cd/m2)	250

I/O

USB	Rear I/O : USB 3.0 x2, USB 2.0 x2 Side I/O : USB 3.0 x2
Video Out	HDMI
COM	COM port x2 (isolated optional)
Audio	Combo Audio port x1
Security	Kensington slot
Ethernet	1kv isolated Gigabit LAN x 2
DC-in	24V 2.5mm DC connector x1

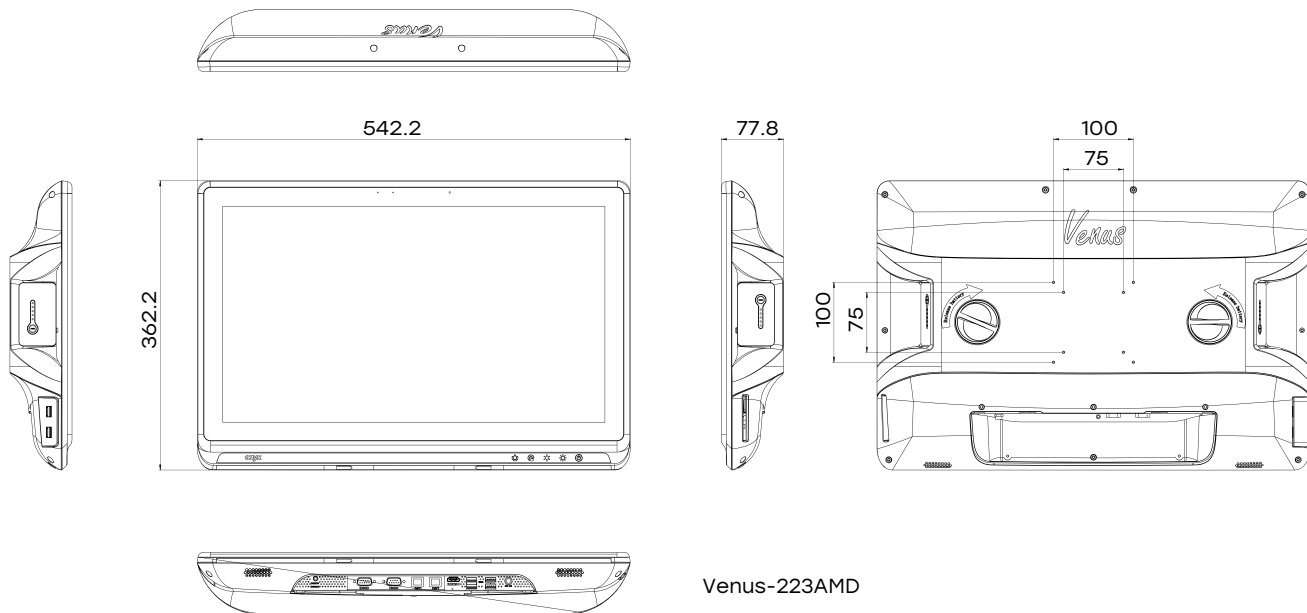
MECHANICAL AND ENVIRONMENTAL

VESA	75/100 mm VESA mount
Operating Temperature	0°C ~ 40°C(32°F ~ 104°F)
Storage Temperature	-20°C ~ 60°C(-4°F ~ 140°F)
Storage Humidity	10%~95%@40°C, non-condensing
Degree of Protection	Front Panel: IP65 ; Rear: IPX1
Dimension	542(L) x 78(W) x 362(H) mm
Net Weight	7kg (15.4 lbs)
Packing Size	645(L) x 210(W) x 513(H) mm
Gross Weight	11kg (24.3 lbs)
Certifications	CE: EN 60601-1-2:2015(V4.0), EN 60601-1:2006/ A1:2013(V3.1) FCC: Part 18 Class B UL: ANSI/AAMI ES60601-1:2012 (V3.1) cUL: CAN/CSA-C22.2 No. 60601-1:2014 (V3.1)

ALL PRODUCT, PRODUCT SPECIFICATIONS AND DATA ARE SUBJECT TO CHANGE WITHOUT NOTICE TO IMPROVE RELIABILITY, FUNCTION OR DESIGN OR OTHERWISE.

21.5" Dual Hot Swappable Battery Medical Cart Computer

Dimension / Unit: mm



Ordering Information

- VENUS-223-G12-A1-0402
Cart Computer.AMD V1202B. 22".4G RAM.SCR.TPM.XL Battery x2

Optional Accessories

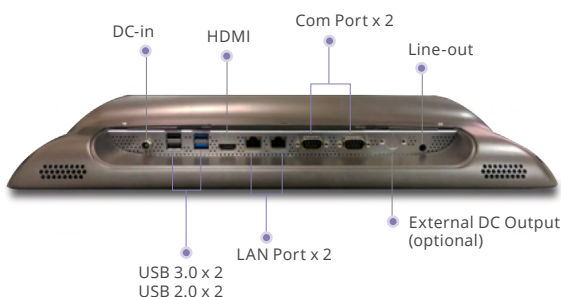
- 1255301501
Medical Adaptor. 100-240V/1.0-2.5A 24V/6.25A 150W
- OPM-S02R-A0
RFID Reader Kit
- OPM-C15W-A8
WLAN dual band module Kit . Intel 802.11a/b/g/n/ac +BT 5
- UP-L62-A1-1010
6-Slot Charger + 24V/250W adaptor
- UP-P22-A2-1010
2-Slot Charger + 24V Medical adaptor
- OPM-V02C-04
5MP Camera kit with Mic

Venus-193

19" Dual Hot Swappable Battery Medical Cart Computer



Battery x 1
 Battery x 1
 USB 3.0 x 2
 Smart Card Reader x 1



DC-in
 HDMI
 Com Port x 2
 Line-out
 USB 3.0 x 2
 USB 2.0 x 2
 LAN Port x 2
 External DC Output (optional)

Features

- Highest level of medical safety protection
- Cleanability with hospital solvents (front IP65)
- Hot swappable design, support 24/7 run time
- Intel® Skylake Dual-Core i5 / Celeron 3955U
- Support remote monitor/control/update (ORION compatible)
- Lightweight design
- Front reading light bar

Specifications

MAIN SPECIFICATIONS

Processor	Intel® Skylake Dual-Core i5 / i7 , Celeron 3955U
System Memory	DDR4 up to 32GB
OS Support	Microsoft® Windows 7 Microsoft® Windows 8.1 Microsoft® Windows 10 (64bit) Ubuntu 18.04 LTS IGEL (thin client solution)
Graphics	Intel® HD Graphics 520
Storage	SSD up to 512GB (optional)
Wireless Communication	802.11 ac/a/b/g/n + BT 4.0 (optional)
Touch	R-TS
Speaker	2W x2
Security	TPM 2.0 Smart Card Reader, RFID ISO 15693/14443A (optional)

DISPLAY

Display Size	19" panel
Resolution	1280 x 1024
Max. Colors	16.7M
Contrast Ratio	1000:1
Luminance (cd/m2)	250

I/O

USB	Rear I/O :USB 3.0 x2, USB 2.0 x2 Side I/O : USB 3.0 x2
Video Out	HDMI 1.4 x1
COM	COM port x2
Audio	Combo audio port x1
Ethernet	Gigabit LAN x2
DC-in	24V DC-in x1

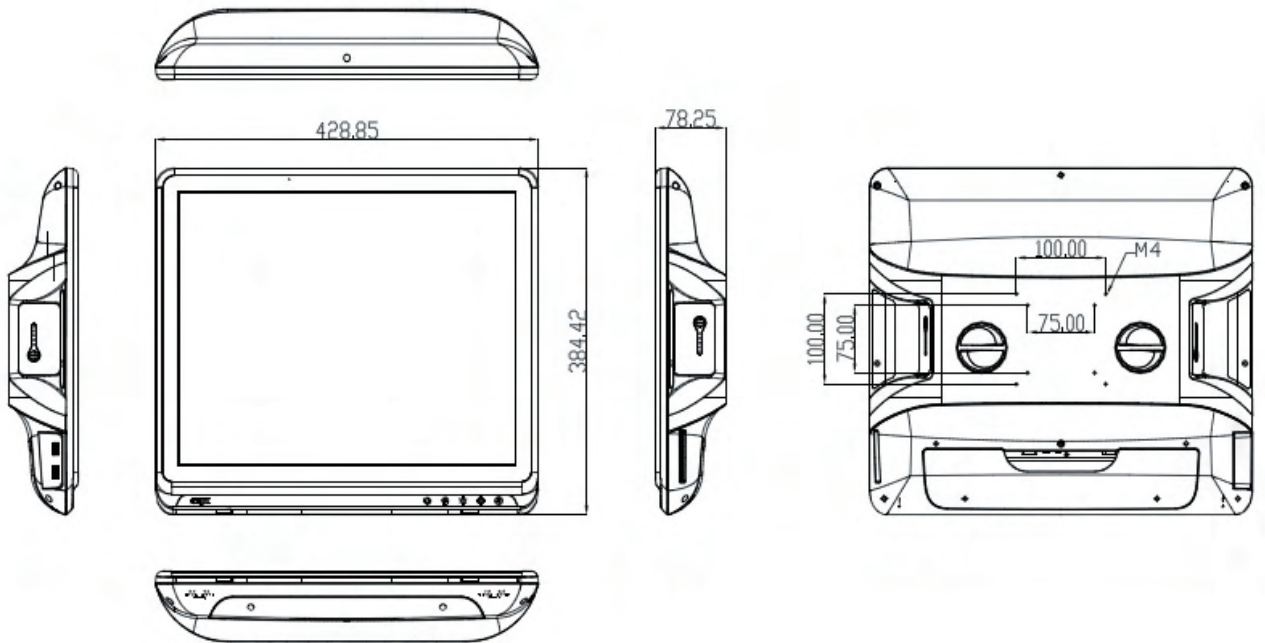
MECHANICAL AND ENVIRONMENTAL

VESA	75/100 mm VESA mount
Operating Temperature	0°C ~ 35°C(32°F ~ 95°F)
Storage Temperature	-20°C ~ 60°C(-4°F ~ 140°F)
Storage Humidity	10%~95%@40°C, non-condensing
Degree of Protection	Front Panel: IP65 ; Rear: IPX1
Dimension	429(L) x 78(W) x 384(H) mm
Net Weight	5.5kg (12.13 lbs)
Packing Size	540(L) x 205(W) x 503(H) mm
Gross Weight	9kg (19.84 lbs)
Certifications	CE: EN 60601-1-2:2015(V4.0), EN 60601-1:2006/ A1:2013(V3.1) FCC: Part 18 Class B UL: ANSI/AAMI ES60601-1:2012 (V3.1) CUL: CAN/CSA-C22.2 No. 60601-1:2014 (V3.1)

ALL PRODUCT, PRODUCT SPECIFICATIONS AND DATA ARE SUBJECT TO CHANGE WITHOUT NOTICE TO IMPROVE RELIABILITY, FUNCTION OR DESIGN OR OTHERWISE.

19" Dual Hot Swappable Battery Medical Cart Computer

Dimension / Unit: mm



Ordering Information

- VENUS-193ET-A6-1010
Cart Computer. i5. 19". Fanless. R-TS. 4GB .SCR. TPM. XL Battery x 2

Optional Accessories

- 1255301501
Medical Adaptor. 100-240V/1.0-2.5A 24V/6.25A 150W
- OPM-S02R-A2
RFID Reader Kit
- OPM-C15W-A8
WLAN dual band module Kit . Intel 802.11a/b/g/n/ac +BT 5
- UP-L62-A1-1010
6-Slot Charger +24V/250W adaptor
- UP-P22-A2-1010
2-Slot Charger + 24V Medical adaptor
- OPM-V02C-04
5MP Camera kit with Mic

Medical Cart Computer

19"~24" Self-Power Cart Computer Accessory Selection

OPM-P02T

2 XL Battery Li-ion 10.905V 8400mAh



Specifications

MAIN SPECIFICATIONS

Battery Type	3S3P / 9 Cell Li-ion battery
Battery Voltage	10.95V
Battery Capacity	8400mAh / 91.56Wh
Warranty	1 year
Certification	UL, CE, IEC-60950-1, IEC-62133-1

MECHANICAL AND ENVIRONMENTAL

Dimension	122(L) x 79(W) x 50 (H) mm
Net Weight	504g /pcs
Operating Temperature	0°C ~ 40°C(32°F ~ 104°F)

ORDERING INFORMATION

- 9789BAXL14
2 XL Battery Kit. Li-ion 3S3P, 10.905V, 8400mAh. Volume Order

OPM-P03T

2 XXL Battery Kit. Li-ion. 10.8V. 12060mAh



Specifications

MAIN SPECIFICATIONS

Battery Type	3S4P / 12 Cell Li-ion battery
Battery Voltage	10.8V
Battery Capacity	12060mAh / 130.2Wh
Warranty	2 year , 1000 cycle
Certification	UL, CE, IEC-60950-1, IEC-62133-1

MECHANICAL AND ENVIRONMENTAL

Dimension	137(L) x 79(W) x 48 (H) mm
Net Weight	690g (1.52lbs)/pcs
Operating Temperature	0°C ~ 40°C(32°F ~ 104°F)

ORDERING INFORMATION

- OPM-P03T
2 XXL Battery Kit. Li-ion , 10.8V, 12060mAh. (via Ocean)

Medical Cart Computer

19"~24" Self-Power Cart Computer Accessory Selection

UP-P22

2-slot battery charger



Features

- Compatible with short battery and long battery (XL)
- Max 100W power output, mini-din 4pin x1LED
- 10W USB port x1 (power output only)
- Battery information monitor remotely (ORION)
- Support wall/cart mount. Fitting all environment
- LED indicator, clearly reveal recharge/discharge status

Specifications

Battery Charge Time	3hrs for standard battery; 3.5hrs for XL battery
Input Power	24V Medical adaptor
Protection	Supports protection from over-voltage (input), over-current (input and output), short circuit, over-charge.
IO interface	Mini-din 4pin x1; USB Type A x1 (Power output only); USB micro-B x1(Data transport only); DC-in
Certification	CE: EN 60601-1-2:2015(V4.0), EN 60601-1:2006/A1:2013(V3.1) FCC: Part 18 Class B UL: ANSI/AAMI ES60601-1:2012 (V3.1) cUL: CAN/CSA-C22.2 No. 60601-1:2014 (V3.1)

MECHANICAL AND ENVIRONMENTAL

Color	White
Dimension	191(L) x 64(W) x 117(H) mm
Net Weight	0.67kg (1.47 lbs)
Packing Size	390(L) x 290(W) x 110(H) mm
Gross Weight	2kg (4.41 lbs)
Operating Temperature	0°C ~ 35°C(32°F ~ 95°F)
Storage Temperature	-20°C ~ 60°C(-4°F ~ 140°F)

Ordering Information

- UP-P22-A2-1010
2-slot charger. 24V medical adaptor

OPM-P01C

6 -slot battery charger



Features

- Battery information monitor remotely (ORION)
- Capable of charging 6 batteries simultaneously
- 6 Independent LED indicators, clearly reveal recharge status
- High-speed recharge and over charge protection

Specifications

MAIN SPECIFICATIONS

Battery Charge Time	2.5 hrs for 85%, 3.5 hrs for 100%
Input Power	24V Medical adaptor
Protection	Supports protection from over-voltage (input), over-current (input and output), short circuit, over-charge.
IO interface	USB TypeA x 1(Data transport only), DC-in x 1
Certification	CE, FCC

MECHANICAL AND ENVIRONMENTAL

Color	White
Dimension	304(L) x 154(W) x 41(H) mm
Net Weight	1.16kg (2.56 lbs)
Packing Size	470(L) x 380(W) x 100(H) mm
Gross Weight	3kg (6.61 lbs)
Operating Temperature	0°C ~ 40°C(32°F ~ 104°F)
Storage Temperature	-20°C ~ 60°C(-4°F ~ 140°F)

Ordering Information

- OPM-P01C-03
6-slot charger. 24V/250W adaptor

MEDICAL POWER PANEL PC

Onyx has developed an medical power panel PC that provides 24/7 non-stop service and offers true mobility. miniVenus features dual swappable batteries system and universal mounting slots. The battery system allow users to replace one of the batteries without turning the computer off .Also, the dual batteries design supply a very long running time and short charging time. Lightweight design provides high strength and great heat dissipation, and it has mounting slots that will fit any medical cart.



Key Features

- ◆ Intel® Core™ processor
- ◆ Dual swappable batteries provide continuous power for 24/7 non-stop operation
- ◆ Highest level of medical safety protection, EMC4.0 / Safety3.1
- ◆ Fanless design, low risk of cross-infection
- ◆ ORION, Hospital IT Management Software Package
- ◆ Standard VESA 75/100 mount fits all medical carts

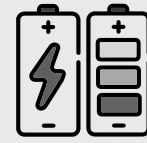
INTEL® CORE™ PLATFORM FOR BETTER PERFORMANCE

MiniVenus offer high-performance Intel® Core™ U-series processor, which can meet most requirements of medical applications.



SWAPPABLE BATTERY DESIGN

Dual swappable battery design with medical level high-capacity batteries can provide uninterrupted power for a long time.



QUIET, CLEAN & EASY TO MAINTAIN

Medical Power Panel PCs utilize a fanless heatsink on the back cover to efficiently dissipate heat generated from processor and chipset. The fanless cooling design keeps the environment quiet, clean and lower maintenance efforts.



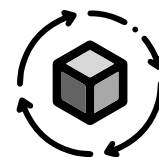
TPM

A Trusted Platform Module increase privacy and security utilizing hardware-encryption with files to ensure sensitive information remains safe and secure.



LONG-TERM PRODUCT LIFE SUPPORT

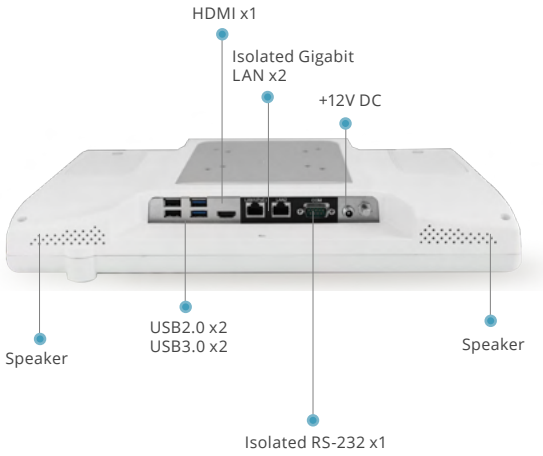
Onyx provides stable and long-term support to our customer. Customer could focus on business promotion and product development.



Medical Power Panel PC

Venus-173

17" Intel i7/i5/i3 Medical Panel PC with Dual Battery



Features

- Highest level of medical safety protection , EMC4.0/ Safety 3.1
- Cleanability with hospital solvents
- Hot swappable design, support 24/7 run time
- Intel® Skylake Dual-Core i5
- Support remote monitor/control/update (ORION compatible)
- isolated LAN / COM port

Specifications

MAIN SPECIFICATIONS

Processor	Intel® Skylake Dual-Core i5
System Memory	DDR4 up to 16GB
OS Support	Microsoft® Windows 7 (32bit/64bit) Microsoft® Windows 8.1 (64bit) Microsoft® Windows 10 (64bit) Ubuntu 18.04 LTS IGEL (thin client solution)
Graphics	Intel® HD Graphics 520
Storage	M.2 SSD up to 512GB (optional)
Wireless Communication	802.11 ac/a/b/g/n + BT 4.0 (optional)
Touch	R-TS
Speaker	3W x2
Security	TPM 2.0

DISPLAY

Display Size	17"
Resolution	1280 x 1024
Max. Colors	16.7M
Contrast Ratio	1000:1
Luminance (cd/m2)	250

I/O

USB	USB 3.0 x2, USB 2.0 x2
Video Out	HDMI 1.4 x1
COM	COM port x1
Ethernet	Gigabit LAN x 2
DC-in	12V DC-in x1

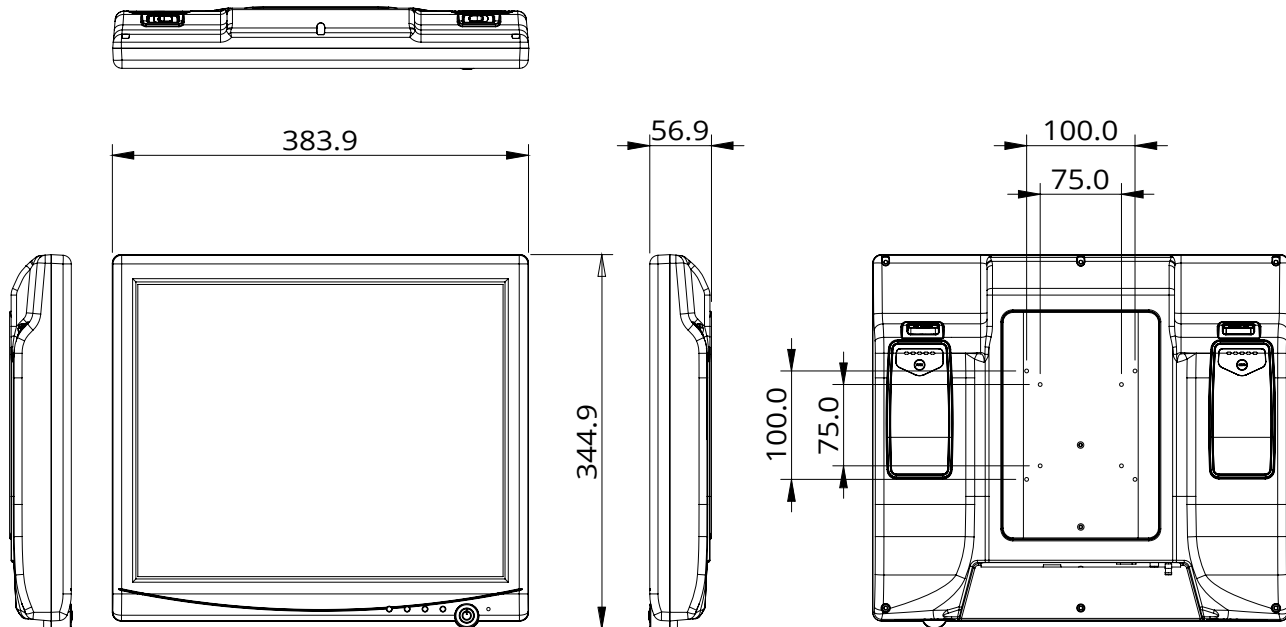
MECHANICAL AND ENVIRONMENTAL

VESA	75/100 mm VESA mount
Operating Temperature	0°C ~ 35°C(32°F ~ 95°F)
Storage Temperature	-20°C ~ 60°C(-4°F ~ 140°F)
Storage Humidity	10%~95%@40°C, non-condensing
Degree of Protection	IPX1
Dimension	384(L) x 57(W) x 345(H) mm
Net Weight	4.5kg
Packing Size	510(L) x 200(W) x 480(H) mm
Gross Weight	5.6 Kg
Certifications	CE: EN 60601-1-2:2015(V4.0), EN 60601-1:2006/ A1:2013(V3.1) FCC: Part 18 Class B UL: ANSI/AAMI ES60601-1:2012 (V3.1) cUL: CAN/CSA-C22.2 No. 60601-1:2014 (V3.1)

ALL PRODUCT, PRODUCT SPECIFICATIONS AND DATA ARE SUBJECT TO CHANGE WITHOUT NOTICE TO IMPROVE RELIABILITY, FUNCTION OR DESIGN OR OTHERWISE.

17" Intel i7/i5/i3 Medical Panel PC with Dual Battery

Dimension / Unit: mm



Ordering Information

- VENUS-173-R63-A1-0001
Mobile Computer , i5 6300U ,17" Fanless, R-TS . TPM . Battery x 2

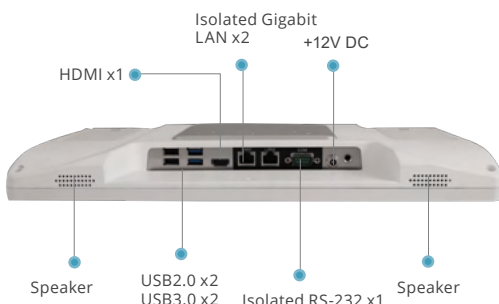
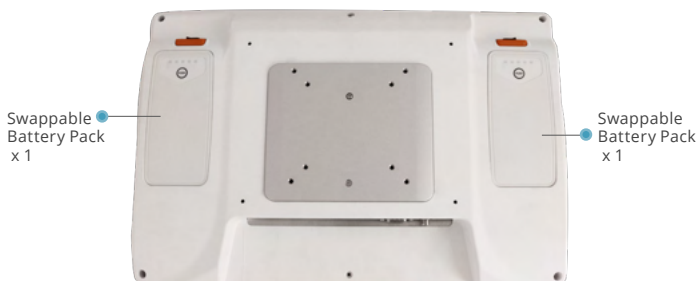
Optional Accessories

- 1757306039
Medical Adaptor , 12V/60W
- OPM-C15W-A5
WLAN dual band module Kit.Intel 802.11a/b/g/n/ac+BT 5
- UP-M62-A1-1010
6-Slot Charger + 24V / 120W adaptor

Medical Power Panel PC

Venus-153

15.6" Intel i7/i5/i3 Medical Panel PC with Dual Battery



Features

- Highest level of medical safety protection , EMC4.0/ Safety 3.1
- Cleanability with hospital solvents
- Hot swappable design, support 24/7 run time
- Intel® Skylake Dual-Core i5
- Support remote monitor/control/update (ORION compatible)
- isolated LAN / COM port

Specifications

MAIN SPECIFICATIONS

Processor	Intel® Skylake Dual-Core i5 / Celeron 3955U
System Memory	DDR4 up to 16GB
OS Support	Microsoft® Windows 7 Microsoft® Windows 8.1 Microsoft® Windows 10 Ubuntu 18.04 LTS IGEL (thin client solution)
Graphics	Intel® HD Graphics 520
Storage	M.2 SSD up to 512GB (optional)
Wireless Communication	802.11 ac/a/b/g/n + BT 4.0 (optional)
Touch	Project Capacitive Touch / Resistive Touch
Speaker	3W x2
Security	TPM 2.0

DISPLAY

Display Size	15.6"
Resolution	1920 x 1080
Max. Colors	262K
Contrast Ratio	500:1
Luminance (cd/m2)	220

I/O

USB	USB 3.0 x2, USB 2.0 x2
Video Out	HDMI x1
COM	COM port x1
Ethernet	Gigabit LAN x 2
DC-in	12V DC-in x1

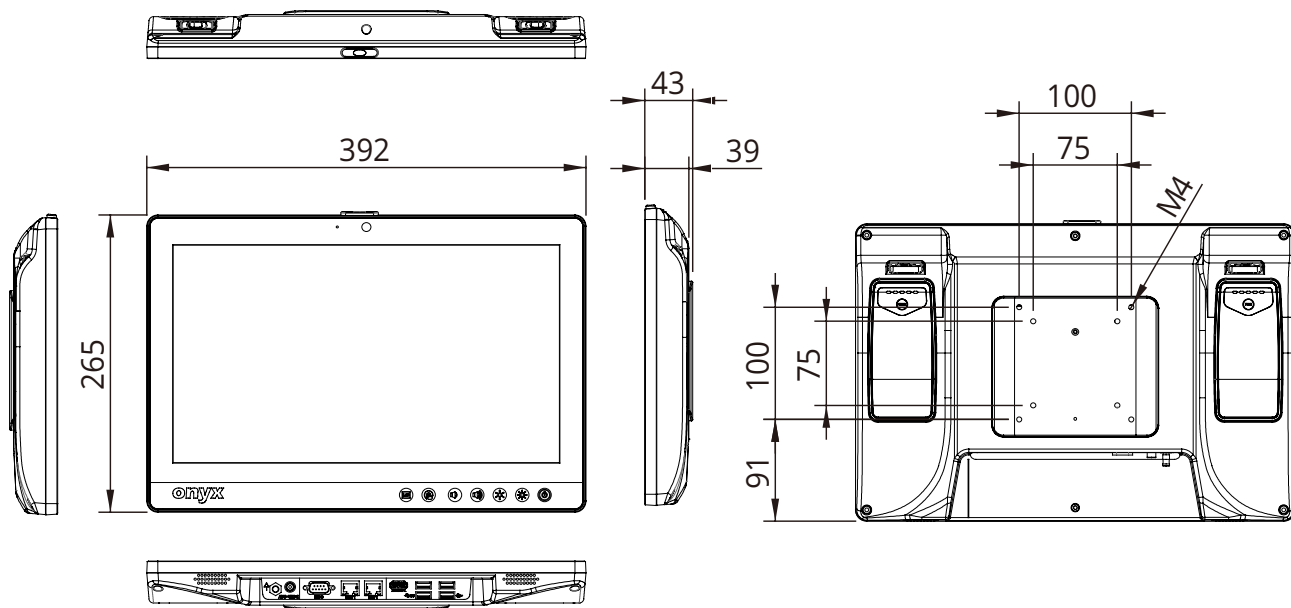
MECHANICAL AND ENVIRONMENTAL

VESA	75/100 mm VESA mount
Operating Temperature	0°C ~ 35°C(32°F ~ 95°F)
Storage Temperature	-20°C ~ 60°C(-4°F ~ 140°F)
Storage Humidity	10%~95%@40°C, non-condensing
Degree of Protection	Front Panel: IP65 ; Rear: IPX1
Dimension	392(L) x 43(W) x 265(H) mm
Net Weight	2.7kg
Packing Size	520(L) x 190(W) x 400(H) mm
Gross Weight	4.7 Kg
Certifications	CE: EN 60601-1-2:2015(V4.0), EN 60601-1:2006/ A1:2013(V3.1) FCC: Part 18 Class B UL: ANSI/AAMI ES60601-1:2012 (V3.1) cUL: CAN/CSA-C22.2 No. 60601-1:2014 (V3.1)

ALL PRODUCT, PRODUCT SPECIFICATIONS AND DATA ARE SUBJECT TO CHANGE WITHOUT NOTICE TO IMPROVE RELIABILITY, FUNCTION OR DESIGN OR OTHERWISE.

15.6" Intel i7/i5/i3 Medical Panel PC with Dual Battery

Dimension / Unit: mm



Ordering Information

- VENUS-153-R63-A1-0001
Mobile Computer , i5 6300U ,15.6" Fanless, R-TS . TPM . Battery x 2
- VENUS-153-P39-A1-0001
Mobile Computer ,Celeron 3955U ,15.6" Fanless, PCAP . TPM . Battery x 2

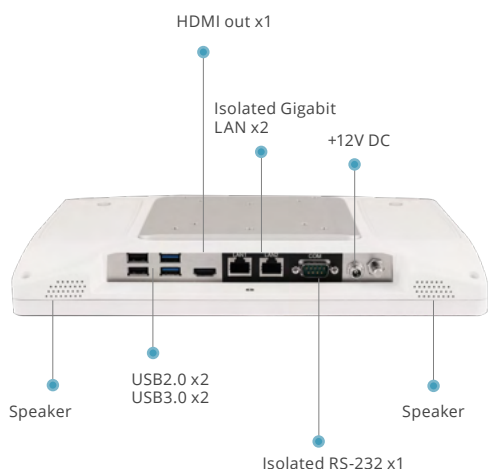
Optional Accessories

- 1757306039
Medical Adaptor , 12V/60W
- OPM-C15W-A5
WLAN dual band module Kit.Intel 802.11a/b/g/n/ac+BT 5.
- UP-M62-A1-1010
6-Slot Charger + 24V / 120W adaptor
- OPM-V02C-03
5MP Camera kit with Mic

Medical Power Panel PC

Venus-123

11.6" Intel i7/i5/i3 Medical Panel PC with Dual Battery



Features

- Highest level of medical safety protection , EMC4.0/ Safety 3.1
- Cleanability with hospital solvents
- Hot swappable design, support 24/7 run time
- Intel® Skylake Dual-Core i5
- Support remote monitor/control/update (ORION compatible)
- isolated LAN / COM port

Specifications

MAIN SPECIFICATIONS

Processor	Intel® Skylake Dual-Core i5 / Celeron 3955U
System Memory	DDR4 up to 16GB
OS Support	Microsoft® Windows 7 Microsoft® Windows 8.1 Microsoft® Windows 10 Ubuntu 18.04 LTS IGEL (thin client solution)
Graphics	Intel® HD Graphics 520
Storage	M.2 SSD up to 512GB (optional)
Wireless Communication	802.11 ac/a/b/g/n + BT 4.0 (optional)
Touch	Project Capacitive Touch / Resistive Touch
Speaker	2W x2
Security	TPM 2.0

DISPLAY

Display Size	11.6"
Resolution	1366 x 768
Max. Colors	262K
Contrast Ratio	500:1
Luminance (cd/m2)	250

I/O

USB	USB 3.0 x2, USB 2.0 x2
Video Out	HDMI out x1
COM	COM port x1
Ethernet	Gigabit LAN x 2
DC-in	12V DC-in x1

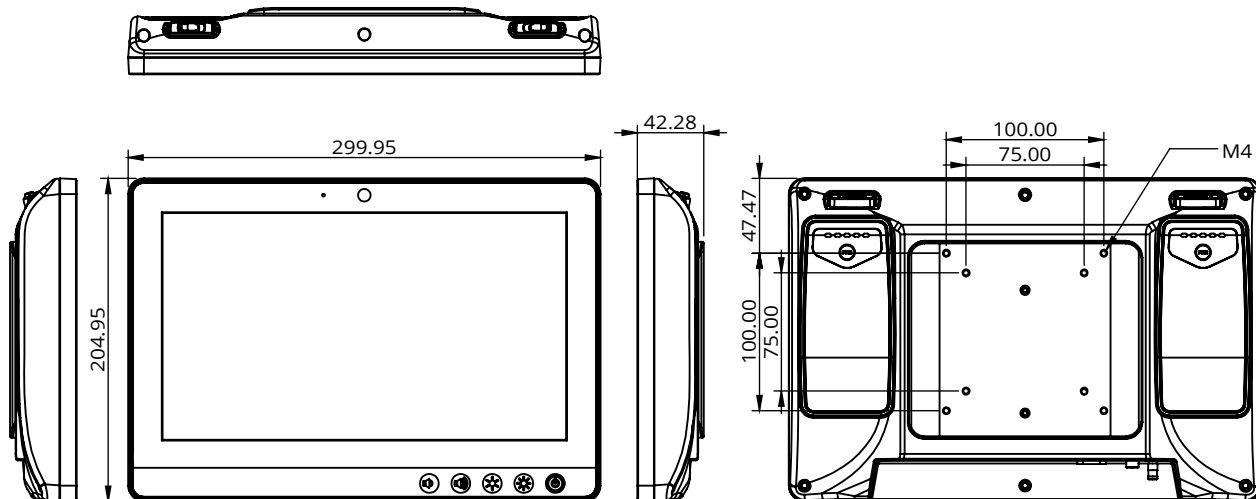
MECHANICAL AND ENVIRONMENTAL

VESA	75/100 mm VESA mount
Operating Temperature	0°C ~ 35°C(32°F ~ 95°F)
Storage Temperature	-20°C ~ 60°C(-4°F ~ 140°F)
Storage Humidity	10%~95%@40°C, non-condensing
Degree of Protection	Front Panel: IP65 ; Rear: IPX1
Dimension	300(L) x 43(W) x 205(H) mm
Net Weight	1.9kg
Packing Size	420(L) x 185(W) x 345(H) mm
Gross Weight	2.6 Kg
Certifications	CE: EN 60601-1-2:2015(V4.0), EN 60601-1:2006/ A1:2013(V3.1) FCC: Part 18 Class B UL: ANSI/AAMI ES60601-1:2012 (V3.1) cUL: CAN/CSA-C22.2 No. 60601-1:2014 (V3.1)

ALL PRODUCT, PRODUCT SPECIFICATIONS AND DATA ARE SUBJECT TO CHANGE WITHOUT NOTICE TO IMPROVE RELIABILITY, FUNCTION OR DESIGN OR OTHERWISE.

11.6" Intel i7/i5/i3 Medical Panel PC with Dual Battery

Dimension / Unit: mm



Ordering Information

- VENUS-123-R63-A1-0001
Mobile Computer , i5 6300U ,11.6" Fanless, R-TS . TPM . Battery x 2
- VENUS-123-P63-A1-0001
Mobile Computer , i5 6300U ,11.6" Fanless, Pcap . TPM . Battery x 2
- VENUS-123-P39-A1-0001
Mobile Computer ,3955U ,11.6" Fanless, Pcap . TPM . Battery x 2

Optional Accessories

- 1757306039
Medical Adaptor , 12V/60W
- OPM-C15W-A4
WLAN dual band module Kit.Intel 802.11a/b/g/n/ac+BT 5.
- UP-M62-A1-1010
6-Slot Charger + 24V / 120W adaptor
- OPM-V02C-02
5MP Camera kit with Mic

Medical Power Panel PC

12"~ 17" Mini Mobile Computer Accessory Selection

OPM-P05T

Venus-123/153/173 Battery Packs (2x)



Specifications

Battery Type	253P / 6 Cell Lithium-ion battery
Battery Voltage	7.2V
Battery Capacity	4545 mAh / 32.72Wh
Warranty	1 year
Certification	UL,CE,IEC-60950-1,IEC-62133-1

MECHANICAL AND ENVIRONMENTAL

Color	White
Dimension	127(L) x 60(w) x 21(H) mm
Net Packing Size	199(L) x 175(w) x 42(H) mm
Weight	305g/pcs
Gross Weight	0.9kg(1.98 lbs)
Operating Temperature	0°C ~ 40°C(32°F ~ 104°F)
Storage Temperature	-20°C ~ 60°C(-4°F ~ 140°F)

Ordering Information

- OPM-P05T-A4
Battery Kits (2x) 253P/7.2V for Venus-123/153/173

UP-M62

Venus-123/153/173 6-slots Charger



Optional Accessories

Part Number	UP-M62
Description	Battery Charger
Input Power	24V
Installations	Stationary
IO	1x Micro USB (Client) 1x DC-In
LED Indicator	Flickering Blue: Battery Charging Steady Blue: Battery Fully Charged Flickering Purple Green: Error
Dimensions	245.95 x 124.64 x 143.65mm
Weight	860g
Operating Temperature	-0°C ~ 40°C(32°F ~ 104°F)
Storage Temperature	-20°C ~ 60°C(-4°F ~ 140°F)

Ordering Information

- UP-M62-A1-1010
6-slots Charger for Venus-123/153/173



MEDICAL POWER BANK

The genius of the UPower system is in its unique, groundbreaking design. UPower gives you the capability of providing endless power with an innovative dual hot swappable battery architecture that ensures your device remains powered even while you are replacing a battery.

UPower Pro-22 include a voltage selection DC-output that allows users to select the desired voltage setting. Users can select from 12, 19, or 24 volts based on their additional power requirements.



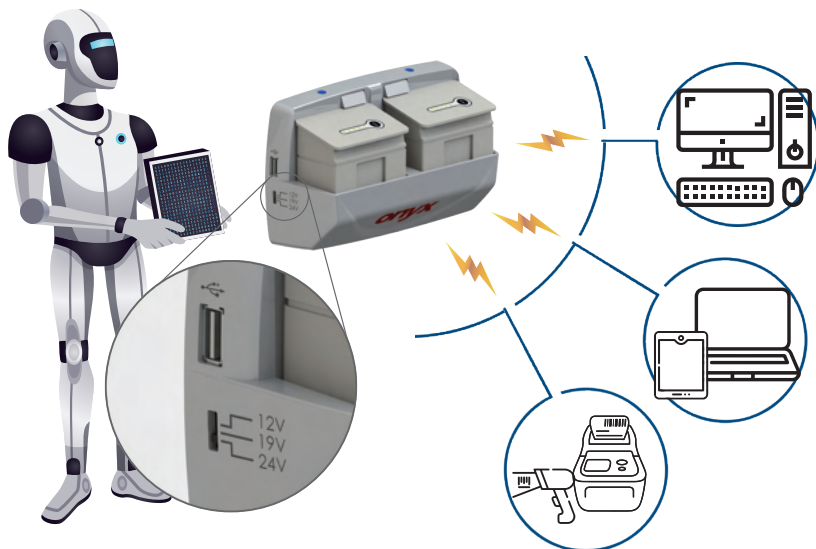
Key Features

- ◆ External DC output (2/4 slot only)
- ◆ Selected voltage (2 slot: 12/19/24V ; 4 slot 12/15/19/24V)
- ◆ Non-stop, hot swappable batteries architecture
- ◆ Software (ORION) remote monitor
- ◆ Capable of charging 2/4 batteries simultaneously.
- ◆ 2/4 Independent LED indicators, clearly reveal recharge status
- ◆ High-speed recharge and over charge protection

UPower

SWAPPABLE BATTERIES

Our UPower give you the capability of providing endless power with its unique swappable battery architecture. You will never again be in danger of losing power when it is most critically needed.

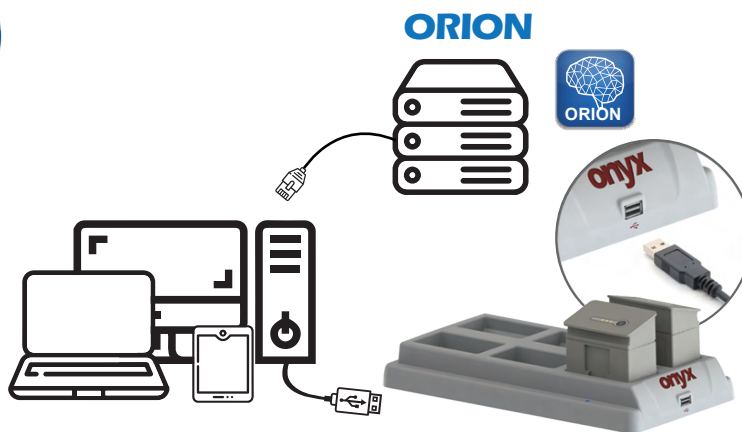


USER SELECTED VOLTAGE

Since electronic devices operate with varying voltage requirements, we created a multi-voltage power bank that allows users to personally select the proper voltage setting. Users can select from 12, 19, or 24 volts based on their needs.

ORION MANAGEMENT

These “smart” power banks can be managed with our new ORION device management software solution that intelligently monitors the status of all the batteries connected to the system.



VITAL SIGN APPLICATION

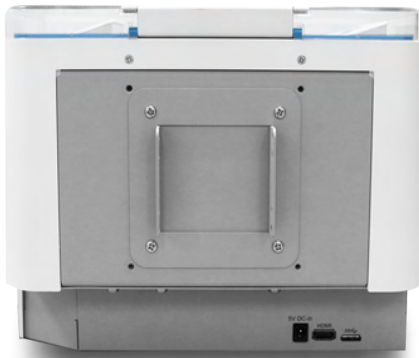
Hospital intensive care units (ICU) specialize in providing intensive care for patients suffering from severe injuries and life-threatening illness. Patients in intensive care units must be monitored constantly not only by highly trained hospital staff, but also with specialized medical equipment to make sure they remain in stable condition while recovering from serious medical emergencies, or surgery.

With UPower, battery powered medical devices will never again be in danger of losing power when it is most critically needed—and that’s a thought that doctors, patients, and all ICU staff can find reassuring and comforting.



UPower Pro-43

4-Slot Hot Swappable Battery Medical Power Bank



Features

- Compatible with onyx XL battery and XXL battery (not for STD battery)
- Two mode for user
 - Normal mode : max capacity – 90W/520Wh (with XXL battery)
 - Power mode : max output – 90W/260Wh + 65W/260Wh (with XXL battery)
- 3x DC output
- Selectable voltage for output 1/2 (12V / 15V / 19V / 24V)
- Built-in wifi chip for remote monitor directly
- LED indicator, clearly reveal recharge/discharge status

Specifications

MAIN SPECIFICATIONS

	UP-43P (Power Bank)	UP-43L (Charger only)
Output Voltage	DC out x3 Selectable voltage for output 1/2 12/15/19/24V (only one voltage at the same time for one port)	N/A
Output Capacity	Normal mode : share 90W with 2 port Power mode : 90W for ch1; 65W for ch2 Medical 45W AC output (optional)	N/A
Charge Time	6hrs for XL battery; 8hrs for XXL battery (no charge when power output)	Normal Charge: 8hrs for XL battery; 10hrs for XXL battery Fast Charge: 3.5hrs for XL
Function Key	Power Mode Button : Normal(max capacity) Power mode(max output) Charge Button : Power output charger	Fast Charge Button : normal charge fast charge
Extend Function	Adaptor holder (optional) Cart mount bracket (optional) UP board (optional) 45W Medical AC inverter (optional)	Adaptor holder (optional) Cart mount bracket (optional)
Safety	Supports protection from over-voltage (input), over-current (input and output), short circuit, over-charge.	
Certification	CE, FCC, IEC60601-1	

MECHANICAL AND ENVIRONMENTAL

Architecture	ABS + PC
Color	White
Dimension	255(L) x 160(W) x 213(H) mm
Net Weight	1kg (1.47 lbs) (w/o battery)
Operating Temperature	0°C ~ 35°C(32°F ~ 95°F)
Storage Temperature	-20°C ~ 60°C(-4°F ~ 140°F)
Storage Humidity	10%~95%@35°C, non-condensing

POWER SUPPLY SPECIFICATION

Input Voltage	100-240V AC @50-60 Hz
Output Power	24V / 250W max

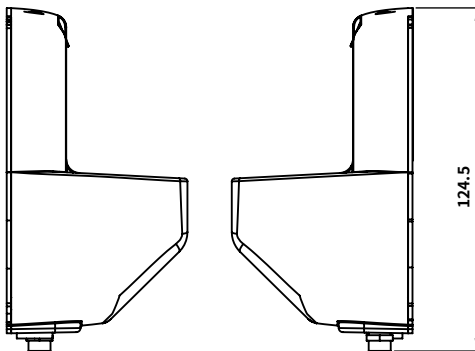
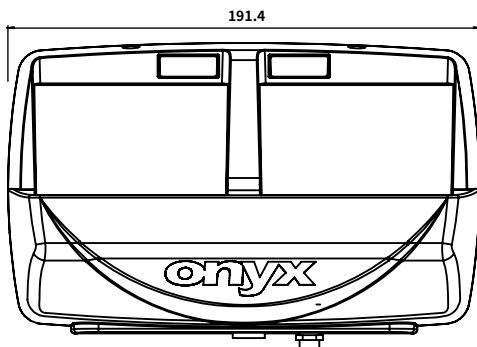
Ordering Information

- **UP-43P-A1-1010 (Power Bank)**
4-slot Power Bank.12/15/19/24V DC output.24V/250W
- **UP-43L-A1-1010 (Charger only)**
4-slot Charger.24V/250W adaptor
- **9789BAXL14**
8400mAh/10.9V battery x2
- **OPM-P03T-03**
12060mAh/10.8V battery x2

Medical Power Bank

UPower Pro-22

2-Slot Swappable Battery

**Features**

- Compatible with std battery , XL battery and XXL battery
- Max 90W power output, mini-din 4pin x1
- 10W USB port x1 (power output only)
- Selected voltage (12V / 19V / 24V)
- Non-stop, swappable batteries architecture
- Battery information monitor remotely (ORION)
- Support wall/cart mount. Fitting all environment
- LED indicator, clearly reveal recharge/discharge status

Specifications**MAIN SPECIFICATIONS**

Output Voltage	12/19/24V (can be selected only one voltage)
Output Capacity	90W mini-din 4pin x1; 10W USB Type A x1 (power output only) *check user manual for more detail info
Battery Charge Time	3hrs for standard battery; 3.5hrs for XL battery; 4.5hrs for XXL battery
Input Power	24V Medical adaptor
Protection	Supports protection from over-voltage (input), over-current (input and output), short circuit, over-charge.
IO interface	Mini-din 4pin x1; USB Type A x1 (Power output only); USB micro-B x1(Data transport only); DC-in
Certification	CE: EN 60601-1-2:2015(V4.0), EN 60601-1:2006/ A1:2013(V3.1) FCC: Part 18 Class B UL: ANSI/AAMI ES60601-1:2012 (V3.1) cUL: CAN/CSA-C22.2 No. 60601-1:2014 (V3.1)

MECHANICAL AND ENVIRONMENTAL

Architecture	ABS + PC
Color	White
Dimension	191(L) x 64(W) x 117(H) mm
Net Weight	0.67kg (1.47 lbs)
Packing Size	390(L) x 290(W) x 110(H) mm
Gross Weight	2kg (4.41 lbs)
Operating Temperature	0°C ~ 35°C(32°F ~ 95°F)
Storage Temperature	-20°C ~ 60°C(-4°F ~ 140°F)
Storage Humidity	10%~95%@35°C, non-condensing

BATTERY LED INDICATOR

Blue Lighting	Full Charge (AC mode)
Blue Flashing	Charging (AC mode)
Green Lighting	Capacity 16%~100% (Battery mode)
Orange Lighting	Capacity 8%~15% (Battery mode)
Purple Lighting	Capacity 0%~7% (Battery mode)
Green-Purple Flashing	Charging error

POWER SUPPLY SPECIFICATION

Input Voltage	100-240V AC @50-60 Hz
Output Power	24V / 6.25A

BATTERY PACK (OPTIONAL)

Battery Type	6 / 9 / 12 Cell Lithium-ion battery
Battery Capacity	5700 / 8550 / 12060 mAh
Output Voltage	10.8 / 10.95 / 10.8 V

Ordering Information

- UP-P22-A3-1010
2-slot Charger with DC output + 24V adaptor

Medical Power Bank
OPM-P02T

Li-ion 3S3P Battrey Pack 10.9V 8400mAh



Features

- Compatible with all Venus-series and all UPower-series
- X1.5 battery capacity increase
- Supports remote management software (ORION)
- Battery capacity indicator button
- Medical grade certified (with Venus)
- Lightweight design

Specifications

MAIN SPECIFICATIONS

Battery Type	3S3P / 9 Cell Li-ion battery
Battery Voltage	10.9V
Battery Capacity	8400mAh
Warranty	1 year
Charging time	3hrs for 90% ; 3.5hrs for 100% (with UPower Pro-series)
Safety	Supports protection from over-voltage (input and output), over-current (input and output), short circuit, over-charge, over-discharge, and battery Positive Temperature Coefficient(PTC)
Compatible	Venus all series, UPower all series
Certification	UL, CE, IEC-60950-1, IEC-62133-1

MECHANICAL AND ENVIRONMENTAL

Architecture	ABS + PC
Color	White
Dimension	122(L) x 79(W) x 50 (H) mm
Net Weight	0.5kg (1.10 lbs)
Packing Size	220(L) x 180(W) x 80(H) mm
Gross Weight	1.3kg (2.87 lbs)

Ordering Information

- 9789BAXL14
 2XL Battery Kit. Li-ion 3S3P, 10.9V, 8400mAh. Volume Order (via Ocean)

Medical Power Bank

OPM-P03T

Li-ion 3S4P battery pack. 10.8V. 12060mAh



Features

- 2 Years 1000 cycle warranty
- 130Wh battery capacity
- Smart LED: battery status indicator for end user
- Compatible with all Venus and Upower series

Specifications

MAIN SPECIFICATIONS

Battery Type	3S4P / 12 Cell Li-ion battery
Battery Voltage	10.8V
Battery Capacity	12060mAh
Warranty	2 year , 1000 cycle
Charging time	4.5hrs with UPower Pro-series
Safety	Supports protection from over-voltage (input and output), over-current (input and output), short circuit, over-charge, over-discharge, and battery Positive Temperature Coefficient(PTC)
Compatible	Venus all series, UPower all series
Certification	UL, CE, IEC-60950-1, IEC-62133-1

MECHANICAL AND ENVIRONMENTAL

Color	White
Dimension	137(L) x 79(W) x 48 (H) mm
Net Weight	0.7kg (1.54lbs)/pcs
Packing Size	234(L) x 180(W) x 76(H) mm
Gross Weight	1.7kg (3.75 lbs)
Operating Temperature	0°C ~ 35°C(32°F ~ 95°F)
Storage Temperature	-20°C ~ 60°C(-4°F ~ 140°F)
Storage Humidity	10%~95%@35°C, non-condensing

Ordering Infomation

Please access to our Webshop for more detail

<http://webshop-onyxhealthcare.com>

ORION-BATTERY MANAGEMENT SYSTEM

ORION is a complete software solution that controls every part of your Onyx device infrastructure from the server, to the software manager and client devices. This system works the same way as the email servers we use every day to communicate. Each ORION system has a single server that connects to nursing carts (clients) that push their information to the server (similar to sending an email). The software manager collects information on the server received from the nursing carts to perform further analysis like battery cycle count or capacity attenuation.



Key Features

- ◆ Everything Remotely
- ◆ Break Up the Whole Into Parts
- ◆ To Improve the Quality



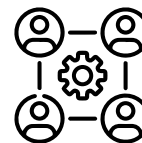
BATTERY DIAGNOSTICS

With potentially thousands of batteries in use in a single hospital, ORION can monitor them all with diagnostic tools that alert users of any battery-related errors.



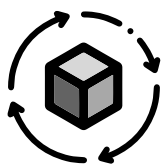
REAL-TIME REMOTE MONITORING

Real-time remote monitoring provides quick data feedback to help IT managers diagnose and fix system problems.



GROUP SETTINGS

Device settings can be managed and saved by groups so that each department in a facility can have custom-managed devices.



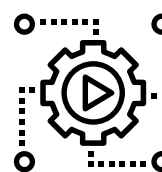
REMOTE UPDATE / INSTALLATION

System software / firmware installation and updates can also be performed remotely saving valuable time and resources.



USER-FRIENDLY INTERFACE

ORION's user-friendly graphical interface conveniently organizes important data in a way that lets you quickly and easily review systemwide performance.



AUTOMATED TASK SCHEDULING

With automated task scheduling, ORION takes care of less important repetitive tasks so you can focus on more important priorities.



CUSTOMIZABLE DASHBOARD

All IT managers have their own preferences for how to perform their duties. ORION's customizable dashboard gives IT managers the freedom to set operational parameters to their own liking to maximize efficiency.

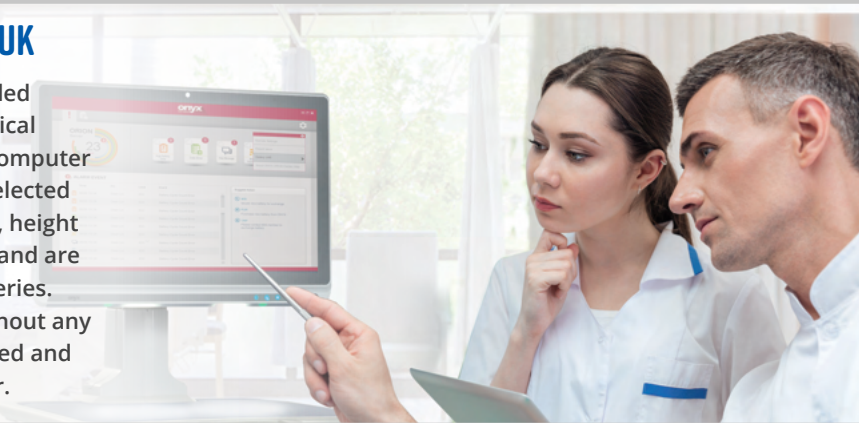


E-MAIL REPORTING

ORION includes an integrated e-mail client for regularly scheduled event reporting.

SUCCESSFUL STORY - NHS IN UK

The Trust went live with their EPR called e-Care on 30th April 2016. Parity Medical were the chosen supplier of mobile computer carts. The Parity Infinity carts were selected after trialling as they are light weight, height adjustable, ergonomic, easy to clean and are powered 24/7 by hot swappable batteries. It was a big project that went live without any hiccups. Phase 2 has now been enabled and will be phased in throughout the year.





ORION Remote

Hospital IT Management Software Package

MAIN SPECIFICATIONS

Component	ORION Server + ORION Manager + ORION Clients
Description	To get the permission to manage ORION Client remotely

CORE FUNCTION

Battery Diagnostics	✓
Friendly UI	✓
Remote Backup/Recovery	✓
Remote Update/Installation	✓
E-Mail Reporting	✓
Automated Task Scheduling	✓
Group Settings	✓
Real-time Remote Monitoring	✓
Customizable Dashboard	✓

ORDERING INFORMATION

ORION-A01-V2	ORION Air permission (per client)
--------------	-----------------------------------

HARDWARE REQUIREMENT ORION SERVER

CPU	1.6GHz or faster
RAM	1GB
Storage	20MB per client for one month record 10G for 500 clients for one month record

ORION MANAGER

CPU	1.6GHz or faster
RAM	1GB
Display	DirectX 9-capable video card running at 1024 x 768 or higher display resolution
OS	Windows 7, Windows 8.1, Windows 10
Other	Net Framework 4.0 above



MOBILE MEDICAL TABLET

Onyx Mobile Medical Assistant tablets are especially designed to streamline data exchange for EMS and hospitals. With rugged features, high brightness LCD and high performance CPU, these tablets can be operated in harsh environments while delivering superb performance and a crystal clear image.

Onyx Mobile Medical Assistant tablets help eliminate medical paperwork by automating EMS and hospital workflows allowing paramedics and nurses to instantly access and document patient records.



Key Features

- ◆ Effortless data collection and documentation with significant error reduction
- ◆ Seamless integration of medical devices
- ◆ Medical & ambulance dual certifications
- ◆ Continuous power for 24/7 non-stop operation
- ◆ Rugged design for outdoor and indoor use
- ◆ Reduce hospital and ambulance service TOC

LIGHT WEIGHT & COMPACT SIZE

The weight of MD101 is less than 1kg, and the compact size design let user can easy to carry the device to anywhere they want.



10 POINTS PCT TOUCH SCREEN

Multi-touch has been implemented in several different ways. MD series provides 10 points touch functions to the user to do any control missions.



WINDOWS OS SUPPORT

MD series is supported by Windows OS which has good compatibility to the other medical device. The same windows user interface let user can easy to make use of the device.



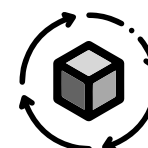
WI-FI AND BLUETOOTH 5.0 SUPPORT

MD series has designed Wi-Fi 802.11b/g/n/AC and 2.4GHz/ BT 5.0 inside. It help user easy to receive and deliver the medical data to other devices.



LONG TERM PRODUCT LIFE TIME SUPPORT

ONYX provides stable and long term support to our customers. Customers could focus on business promotion and product development.



Mobile Medical Tablet

MD116/MD116i

12" Fanless Intel ATOM / i5 Medical Tablet



(Only MD116i)



Features

- Intel® Apollo Lake processor / Kaby lake U processor
- Dual hot-swappable batteries for 24/7 operation
- Dual smart card readers for multiple-care workflow
- Standard USB Type-A and RJ45 for easy connection to medical devices
- IP54 certified & 3 feet drop resistant
- ORION client compatible
- Instant vehicle docking system
- Automotive Directive and EN1789 compliance for ambulances/medical transportation vehicles

Specifications

MAIN SPECIFICATIONS	MD116	MD116i
Processor	Intel® Apollo Lake Processor	Intel® Kaby Lake Core i5 U Processor
System Memory	DDR3L SO-DIMM x1, Default 4 GB (Up to 8 GB),	DDR4 SO-DIMM x1, Default 4 GB (Up to 16 GB)
OS Support	Microsoft® Windows 10 IOT LTSC	
Storage	M.2 Interface x1, Default 64 GB	
Wireless Communication	802.11 a/b/g/n/AC + BT5.0 (Optional)	
Camera	2 MP (Front) / 5 MP (Rear) (optional)	
Touchscreen	Projected Capacitive Touchscreen, w/Gorilla Glass	
Digital Accelerometer	ADI ADXL345	
Ambient Light Sensor	TAOS TSL2581	
LTE+GPS	Sierra EM7421 x 2 (Optional)	Sierra EM7421 x 1 (Optional)
Function Keys	x2	
LED Indicators	x2	
Speaker	2W x1	
Internal Mic	x1	
Power Requirement	DC 12V	
Security	Smart Card Reader x2, RFID x1 (optional)	

DISPLAY

Display Size	11.6" 16:9 Widescreen LED Panel	
Resolution	FHD 1920 x 1080	
Max. Colors	16.7M	
Contrast Ratio	800:1	
Luminance (cd/m2)	300nits	600nits

I/O

USB	USB 3.0 (Type-A) x1, USB 2.0 (Type-A) x1	
Ethernet	Gigabit LAN x1	
DC-In	DC-in Jack x1	
Docking	Docking Connector x1	

BATTERY PACK

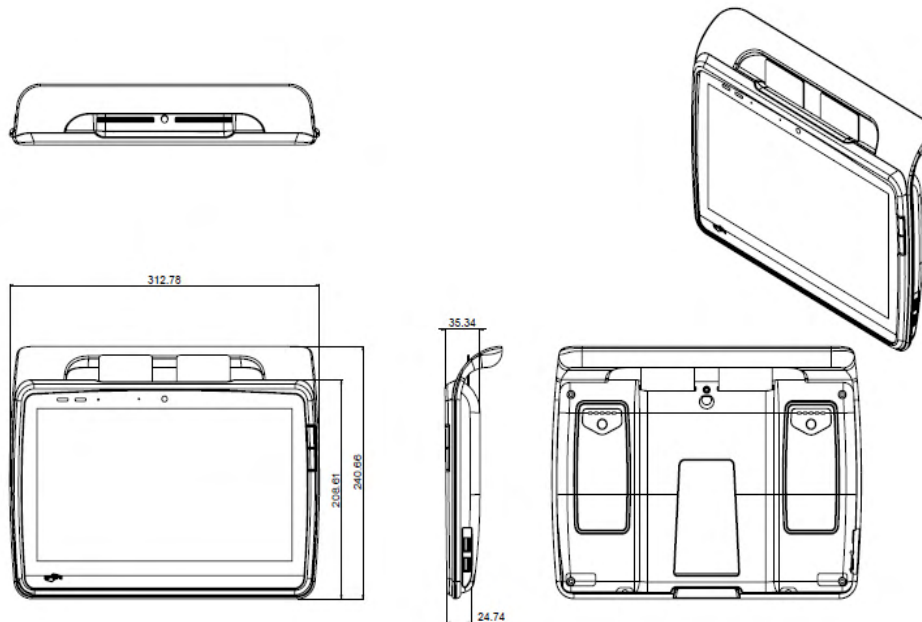
Battery Type	Li-ion	
Battery Capacity	4545 mAh (32.72Wh) x2	
Battery Run Time	Approx. 8 hrs	Approx. 3.5 hrs

MECHANICAL AND ENVIRONMENTAL

VESA	VESA 75 via docking station	
Degree of Protection	IP54	
Operating Temperature	0° C ~ 40° C (32° F ~ 104° F)	0° C ~ 35° C (32° F ~ 95° F)
Storage Temperature	-20° C ~ 60° C (-4° F ~ 140° F)	
Storage Humidity	10%~95%@40°C, non-condensing	
Dimensions	312 (W) x 239 (H) x 37 (D) mm	
Packing Size	400 x 345 x 160 mm	
Gross Weight	3 kg (6.6 lb)	
Net Weight	Approx. 1.45~1.8 kg (3.2 lb~3.97 lb)	
Certifications	CE: EN 60601-1-2:2015(V4.0), EN 60601-1:2006/A1:2013(V3.1), EN 300 328 (V2.1.1), EN 301 893 (V2.1.1) FCC: Part 18 Class B, Part 15 C/E UL: ANSI/AAMI ES60601-1:2012 (V3.1) cUL: CAN/CSA-C22.2 No. 60601-1:2014 (V3.1)	

12"Fanless Intel ATOM / i5 Medical Tablet

Dimensions / Unit: mm



Ordering Information

- ONYX-MD116ST-A1-1010
Tablet.N4200.11.6".FHD.300nits.C-TS(G).4G RAM.M.2 64GB.F/R-Camera.SCR.RFID.WiFi/BT.Battery
- ONYX-MD116ST-A1-1011
Tablet.N4200.11.6".FHD.600nits.C-TS(G).4G RAM.M.2 64GB.F/R-Camera.SCR.RFID.WiFi/BT.Battery
- ONYX-MD116ST-A1-1012
Tablet.N4200.11.6".FHD.300nits.C-TS(G).4G RAM.M.2 64GB.WiFi/BT.Battery (NURSE CART)
- ONYX-MD116I-P73-A1-0001
Tablet.i5-7300U.11.6".FHD.300nits.C-TS(G).F/R-Camera.SCR.RFID.WiFi/BT.Battery(x2)
- ONYX-MD116I-P73-A1-0002
Tablet.i5-7300U.11.6".FHD.600nits.C-TS(G).F/R-Camera.SCR.RFID.WiFi/BT.Battery(x2)
- ONYX-MD116I-P73-A1-0003
Tablet.i5-7300U.11.6".FHD.300nits.C-TS(G).WiFi/BT.Battery(x2). (NURSE CART)

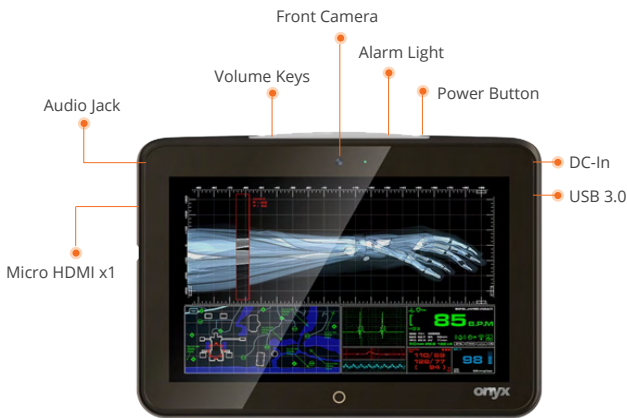
Optional Accessories

- 1255200900
Medical Adaptor.AC/DC.100-240V.1.5A.12V/ 7.5A,90W.
- OPM-S08R-A1
RFID Reader Kit. for MD116 Series
- OPM-V05C-A1
2MP-5MP Camera with Mic Kit. for MD116 Series
- OPM-T030-A1
Smart Card Reader Kit. for MD116 Series
- OPM-A001-A1
Gorilla touch

Mobile Medical Tablet

MD101

10.1" Rugged Medical Tablet



Features

- Intel® Cherry Trail processor
- Slim & lightweight design for clinical mobility
- Long battery life for intensive care services
- Standard USB Type-A for easy connection to medical devices
- IP54 certified & 1.5 Meter drop resistant
- ORION client compatible
- VESA mounting via adapter
- EN60601-1 Certified
- Ergonomic design adapted for portable and cart use
- Windows 10 / Android 6.0

Specifications

MAIN SPECIFICATIONS

Processor	Intel® Cherry Trail QC Processor Z8350 1.44 GHz	
System Memory	4 GB	
OS Support	Microsoft® Windows 10 IOT LTSC 2019	Android 6.0
Storage	eMMC 128 GB	
Wireless Communication	802.11 a/b/g/n/ac +BT 5.0	
Camera	2 MP (Front) / 8 MP (Rear)	
Touchscreen	Projected Capacitive Touchscreen , w/Gorilla Glass	
Accelerometer Sensor	ST LIS2DW12	
Ambient Light Sensor	Capella CM32181E	
Power Button	x1	
Volume Keys	x2	
Speakers	2 W x2 SPL 98±3dB	
Internal Mic	x1	
Alarm Light	x1 (Optional)	
Power Requirement	DC 15 V	

DISPLAY

Display Size	10.1" 16:10 Wide Screen LED Panel
Resolution	1920 x 1200
Max. Colors	16.7 M
Contrast Ratio	800:1
Luminance (cd/m2)	380 nits

I/O

USB	USB 3.0 (Type-A) x1
Audio Out / Mic In	3.5 mm Combo Audio Jack x1
Video Out	Micro HDMI x1
DC-In	x1

BATTERY PACK

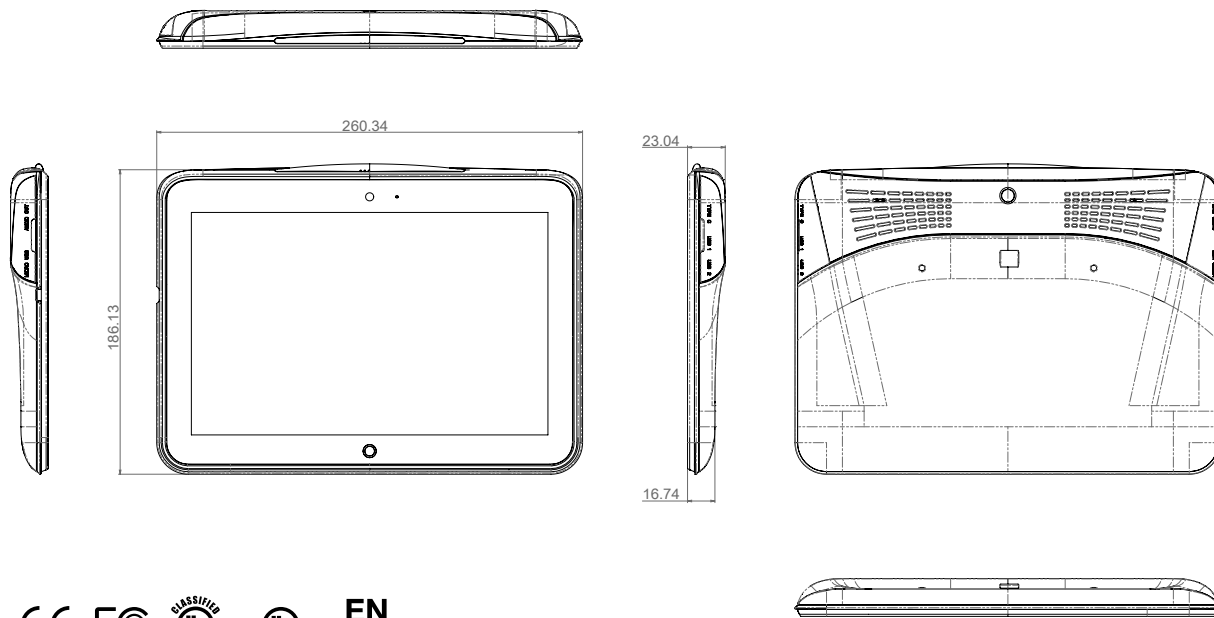
Battery Type	Li-ion
Battery Capacity	4530 mAh (48.9 Wh)
Battery Run Time	Approx. 8 hrs

MECHANICAL AND ENVIRONMENTAL

VESA	VESA 75 via cradle
Degree of Protection	IP54
Operating Temperature	0° C ~ 40° C (32° F ~ 104° F)
Storage Temperature	-20° C ~ 60° C (-4° F ~ 140° F)
Storage Humidity	10%~95%@40°C, non-condensing
Dimension	260 (W) x 186 (H) x 23 (D) mm
Packing Size	310 x 220 x 110 mm
Gross Weight	2 kg (4.4 lb)
Net Weight	Approx. 1 kg (2.2 lb)
Certifications	CE: EN 60601-1-2:2015(V4.0), EN 60601-1:2006/A1:2013(V3.1) EN 300 328(V2.1.1), EN 301 893 (V2.1.1) FCC: Part 18 Class B, Part 15 C/E

10.1" Rugged Medical Tablet

Dimensions / Unit: mm



Ordering Information

- ONYX-MD101ST-A2-2010
Tablet.Z8350.10.1" FHD.C-TS(G).4GB RAM.128GB eMMC.F/R-Camera.HDMI-Out.WiFi/BT.AL without OS.
- ONYX-MD101ST-A2-2011 (optional)
Tablet.Z8350.10.1" FHD.C-TS(G).4GB RAM.128GB eMMC.F/R-Camera.HDMI-Out.WiFi/BT.Android 6.x without:Audio Jack.

VESA Cradle



- Cradle for MD101
PN:OPM-T019-A1

Optional Accessories

- 1255300369
Medical Power Adaptor.100 ~ 240V.15V.2.4A.36W.

MD116 Accessory Selection

Vehicle Dock OPM-T016-A3



Specifications

Description	Vehicle Dock
Input Power	12V
Installations	VESA 75
IO	2x USB 2.0 Type-A 1x RJ45 1x Line Out 1x Phoenix Port 1x DC In Jack
LED Indicator	N/A
Dimensions	236.89 x 293.03 x 88.22mm
Weight	800g
Operating Temperature	0°C ~ 40°C(32°F ~ 104°F)
Storage Temperature	-20°C ~ 60°C(-4°F ~ 140°F)

Optional Accessories

- OPM-T016-A3
MD116 Vehicle Docking Plus . USB x2 /LAN / Line out

Office Dock OPM-T022-A1



Specifications

Part Number	OPM-T022-A1
Description	Office Dock
Input Power	12V
Installations	Stationary
IO	2x USB 2.0 Type-A 1x RJ45 1x RS-232 1x DC-In Video out (optional) 1x HDMI , 1x DP
LED Indicator	Steady Green: Connection LED Off: Disconnection
Dimensions	354 x 117 x 78.2mm
Weight	1060g
Operating Temperature	0°C ~ 35°C(32°F ~ 95°F)
Storage Temperature	-20°C ~ 60°C(-4°F ~ 140°F)

Optional Accessories

- OPM-T022-A1
MD116 Office Dock
- OPM-T022-A2
MD116 office Dock HDMI
- OPM-T022-A3
MD116 office Dock DP

Mobile Medical Tablet

MD116 Accessory Selection

VESA Cradle

OPM-T021-A1



Specifications

Description	VESA Cradle
Input Power	N/A
Installations	VESA 75
IO	N/A
LED Indicator	N/A
Dimensions	206.69 x 196.64 x 87.8mm
Weight	395g
Operating Temperature	0°C ~ 40°C(32°F ~ 104°F)
Storage Temperature	-20°C ~ 60°C(-4°F ~ 140°F)

Optional Accessories

- OPM-T021-A1
MD116 VESA Cradle

MD116 Accessory Selection

Battery Pack x2

OPM-P05T



Specifications

Battery Type	253P / 6 Cell Lithium-ion battery
Battery Voltage	7.2V
Battery Capacity	4545 mAh / 32.72Wh
Warranty	1 year
Certification	UL,CE,IEC-60950-1,IEC-62133-1

MECHANICAL AND ENVIRONMENTAL

Color	Black
Dimension	127(L) x 60(w) x 21(H) mm
Net Packing Size	199(L) x 175(w) x 42(H) mm
Weight	305g/pcs
Gross Weight	0.9kg(1.98 lbs)
Operating Temperature	0°C ~ 40°C(32°F ~ 104°F)
Storage Temperature	-20°C ~ 60°C(-4°F ~ 140°F)

Ordering Information

- OPM-P05T-A2
2 Battery Kits.2S3P.7.2V.Onyx MD116.Volume Package

Battery Charger

UP-M62



Specifications

Description	Battery Charger
Input Power	24V
Installations	Stationary
IO	1x Micro USB (Client) 1x DC-In
LED Indicator	Flickering Blue: Battery Charging Steady Blue: Battery Fully Charged Flickering Purple Green: Error
Dimensions	245.95 x 124.64 x 143.65mm
Weight	860g
Operating Temperature	0°C ~ 35°C(32°F ~ 95°F)
Storage Temperature	-20°C ~ 60°C(-4°F ~ 140°F)

Optional Accessories

- UP-M62-A1-1010
MD116 6-slots Charger

MD116 Accessory Selection

Desk Stand OPM-H26S



Specifications

Description	Desk Stand
Color	Black
Installations	MD116 / MD116i Screw hole
IO	N/A
Dimensions	250x 153 x 126.2 mm
Weight	500g
Minimum Package Size	610 x 240 x 330 mm (Incl.5pcs)
Minimum Package Weight	3 kg (Incl.5pcs)
Storage Temperature	-20°C ~ 60°C(-4°F ~ 140°F)

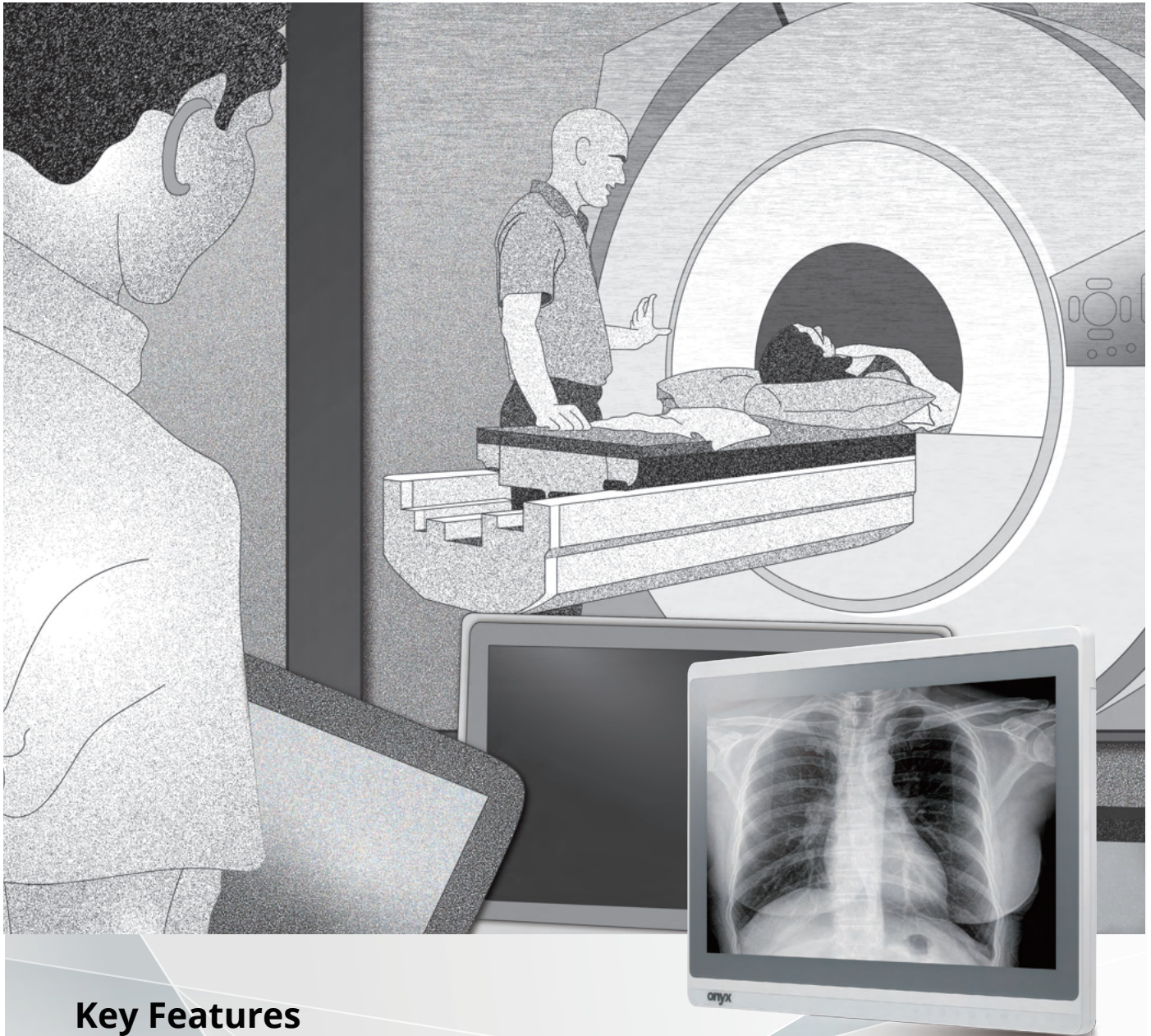
Optional Accessories

- OPM-H26S-A1
MD116 Desk Stand

PROFESSIONAL MEDICAL ALL IN ONE PC

Zeus is the symbol of strength and power, and so does our Medical Station Zeus. It was designed to fulfill surgical high spec requirements such as OR, ICU, ER and Reading Room. Zeus's isolated ports are extremely important as they will connect to devices that are directly connected to the patient.

Onyx has spent two years developing the new Zeus Series, the Smart View Medical Station, and it gives doctors crystal clear imaging when viewing PAC, ENDO, or just EMR. Other than surgical suite, Zeus all in one high performance spec will also benefit in ambulatory care, telemedicine, and administration.



Key Features

- ◆ 24"/22"/19" Medical Grade panel. Compared to a normal monitor or industrial LCD, Zeus has rich color content and high contrast ratio. extremely vivid.
- ◆ Capacitive Multi-touch screen. It guarantees double OR gloves usage, 10 billion click life and up to 95% transparency rate. Zeus enhance the screen performance over 15%.
- ◆ Flat and edgeless ID design give doctors the best-in-market user interaction experience. White color bezel makes cleaning very easy.
- ◆ Patented smart multi function OSD keys covers up to 10 features for Reading light, display mode, speaker volume, LCD brightness, etc. Zeus can also offer customization.

IST INTEL® QUAD CORE I7 PLATFORM FOR CRITICAL APPLICATIONS

Zeus Series offer ultra high performance Intel® Core i7 LV Dual Core /Quad Core Smart View Medical Station.



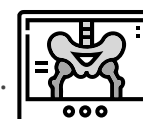
SUPER 3.0 FOR USB, SATA AND PCI-E

Still looking for a faster solution to upload or download medical records?! Zeus comes with latest high speed I/O design (USB3.0, SATA3.0, PCI-E3.0). Super 3.0 gives ten times data rate than before.



DICOM COMPLIANCE DISPLAY

Zeus supports DICOM Part 14: Grayscale Standard Display Function to display accurate radiology PACS images such as ultrasound, endoscope, CT and MRI images. Users can switch the system from HIS, EMR to PACS or Endo with ease.



MIS WITH REMOTE CONTROL POWER

Onyx's cooperation with Intel allows Zeus to carry iAMT technology. The MIS manager can handle hundreds, even thousands of Zeus stations from the central room in real time. Hospital IT departments can save huge amounts of time and money on routine maintenance.



TRIPLE ISOLATION PROTECTION TO PATIENT

Medical isolation rating is 4kV rms (IEC 60601-1), which is crucial to protect patients, operators and medical equipment from harmful surges or spikes in the electrical signal. Zeus offers COM port, USB port and Ethernet Port isolation. We set the highest standard for patient and medical uses.



BACKUP BATTERY FOR UNINTERRUPTIBLE POWER SUPPLY

Optional built-in battery provides backup power supply for at least 10 minutes to prevent the system from unexpected power disruption.



FULL SDK FOR ENHANCED FUNCTIONS DEVELOPMENT

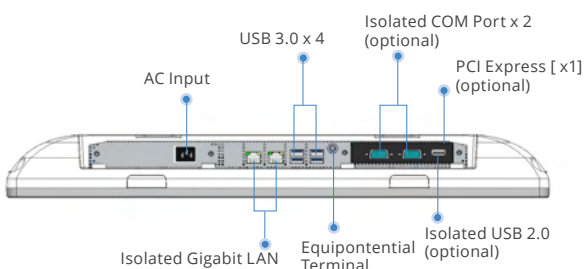
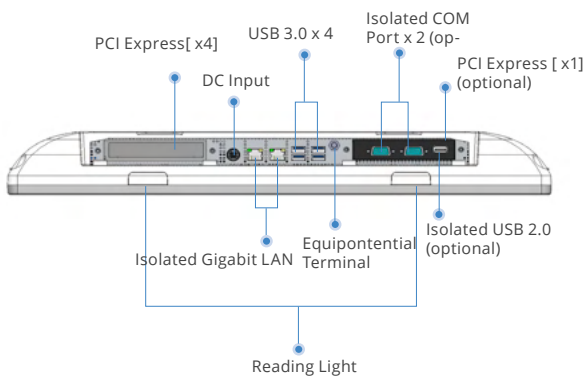
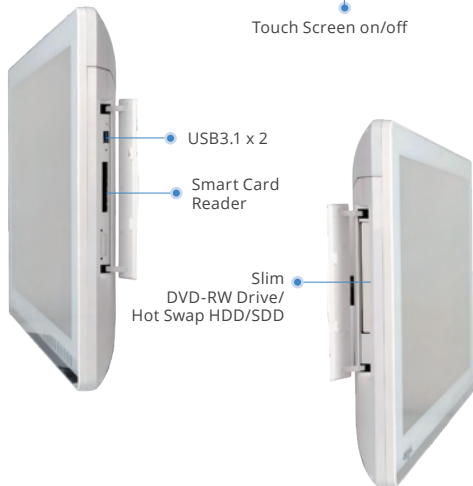
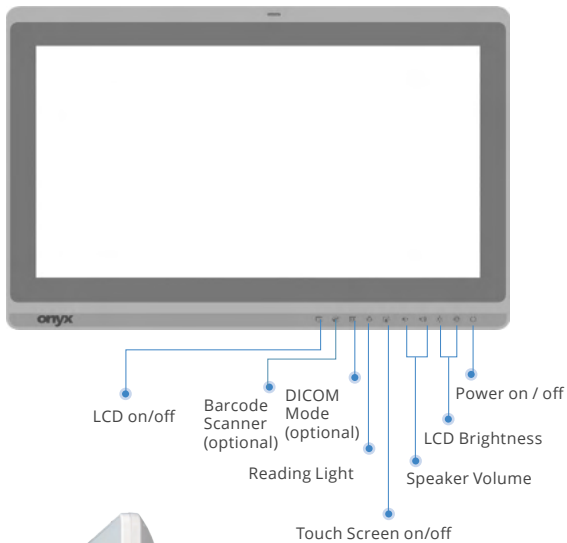
ONYX offers "Access Manager", "Power Monitor", "Control Kit", "Security Watcher" to let system integrators to quickly and efficiently create enhanced and customized environment.



Professional Medical All in One PC

ZEUS-248

24" Fanless 7th Generation Core i7 Professional Medical All in One PC



Features

- Intel® 7th Generation Core i7-7600U 3.9GHz Dual Core Processor
- 24" 250-nit Full HD High Contrast MVA LCD
- Supports DDR4 SODIMM up to 32GB
- Capacitive Multi-Touch Screen
- Easy Cleaning Flat Screen
- 10 Programmable Smart Function Keys with Dual Colors LED Status Indication
- LAN/USB(optional)/COM(optional) Medical Isolation
- Super Speed 10Gb/s USB 3.1 Port
- PCI Express[x4] x 1, PCI Express[x1] x1(optional)
- Trusted Platform Module / Smart Card Reader(optional) / RFID Reader(optional)
- Remote Management: Intel Active Management Technology
- +12V to +24V wide range DC input / 100V to 240V AC input
- 25Wh Backup Battery(optional)

Specifications

MAIN SPECIFICATIONS

Processor	Intel® 7th Generation Core i7-7600U 3.9GHz Dual Core
System Memory	DDR4 SODIMM up to 32GB
Expansion	PCI Express[x4] x 1, PCI Express[x1] x1(optional)
Storage Disk Drive	2.5" SATA Hard Disk Drive/SSD x 1 Slim DVD-RW Drive x 1(optional) M.2 SSD x 1
Security	Trusted Platform Module, Smart Card reader(optional), RFID(optional)
Wireless Communication	802.11ac(optional), Bluetooth 5.1 (optional)
Speaker	5W x 2
Function Key	Speaker Volume Up/Down, LCD Brightness Up/Down, LCD On/Off, Touch Screen On/Off, DICOM Mode(optional), Reading Light On/Off
Power Requirement	DC 12~24V / AC 100~240V , 25Wh Back Up Battery(optional)
OS Support	Windows® 10, Linux®

DISPLAY

Size	24" LCD
Resolution	1920 x 1080
Luminance	250 nits
View Angle	178°(H)/178°(V)
Contrast Ratio	3000:1
Back Light Life Time	30,000 Hours
Touch Screen	Capacitive Multi-Touch

I/O

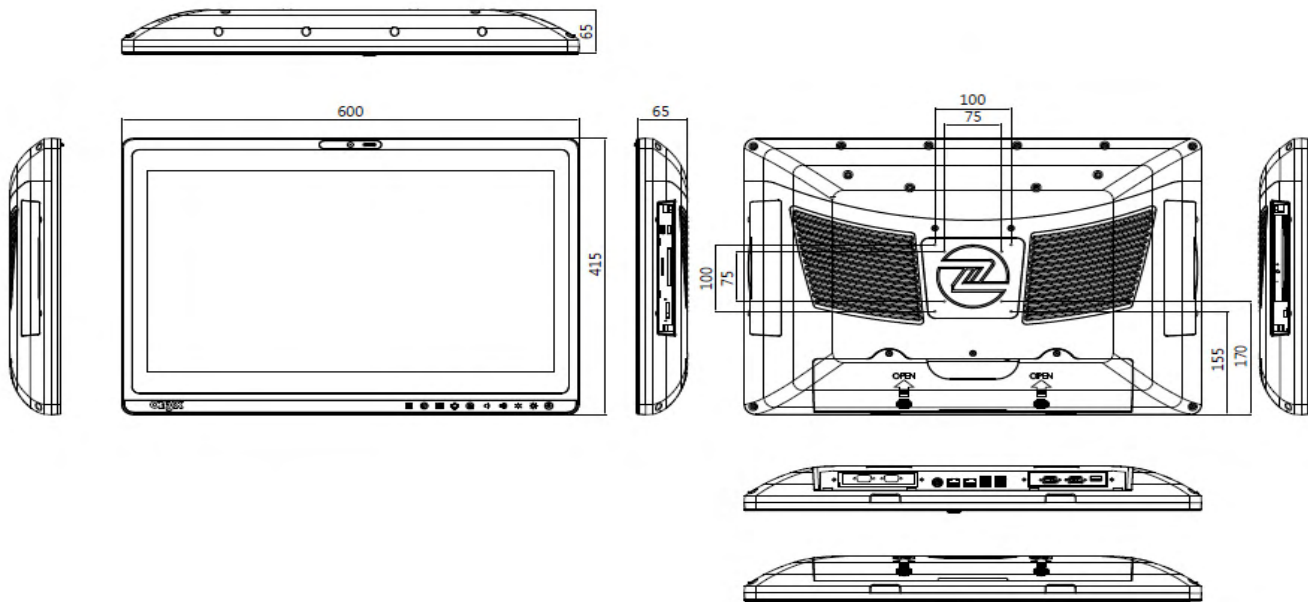
USB	USB 3.0 x 4, USB 3.1 x 2(in side I/O), Isolated USB 2.0 x1(optional)
Serial Port	Isolated RS-232 x 2(optional)
Ethernet	Isolated Gigabit LAN x 2
Audio	Mic(optional)/ Line out(optional)
Video out	Display Port 1.2 x 1(optional)

MECHANICAL AND ENVIRONMENTAL

Power Consumption	Full Loading: 60 Watts
Operating Temperature	0°C ~ 40°C(32°F ~ 104°F)
Storage Temperature	-20°C ~ 60°C(-4°F ~ 140°F)
Mounting	VESA 75/100 mm
Degree of Protection	IP65 in the front, IP54 in the back
Dimension	600 x 415 x 65 mm
Package Size	790 x 220 x 550 mm
Gross Weight	14 kg (30.86 lb)
Net Weight	9.2kg (20.28lb)
Certifications	CE: EN 60601-1-2:2015(V4.0), EN 60601-1:2006/A1:2013(V3.1) FCC: Part 18 Class B UL: ANSI/AAMI ES60601-1:2012 (V3.1) cUL: CAN/CSA-C22.2 No. 60601-1:2014 (V3.1)

24" Fanless 7th Generation Core i7 Professional Medical All in One PC

Dimension / Unit: mm



Ordering Information

- ZEUS-248ST-A25-1010
i7-7600U, 24" LCD, 12~24V DC, Capacitive Touch
- ZEUS-248ST-A26-1010
i5-7300U, 24" LCD, 12~24V DC, Capacitive Touch
- ZEUS-248ST-B25-1010
i7-7600U, 24" LCD, 100~240V AC, Capacitive Touch
- ZEUS-248ST-B26-1010
i5-7300U, 24" LCD, 100~240V AC, Capacitive Touch

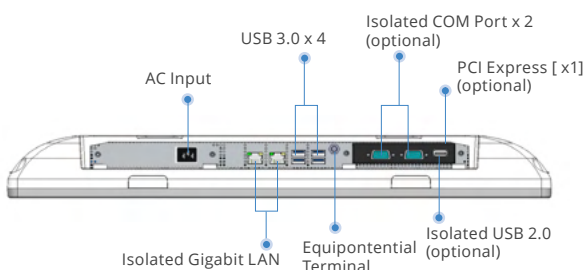
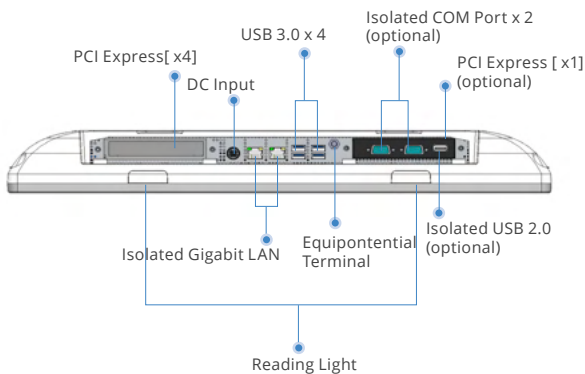
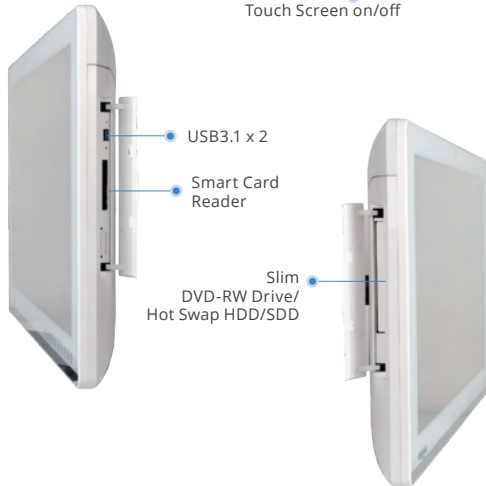
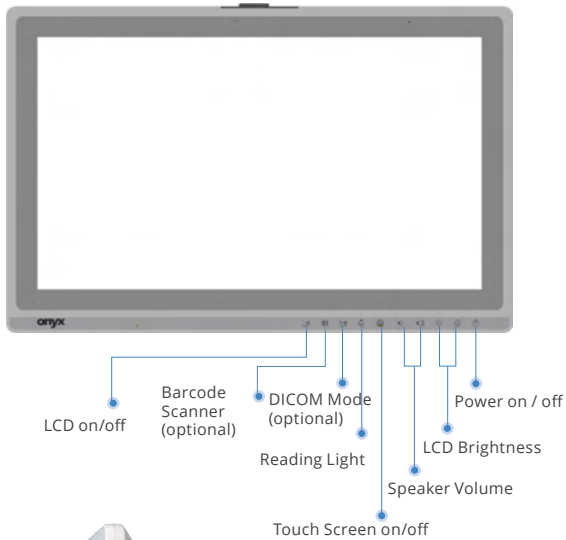
Optional Accessories

- 1255301202
Medical Power Adapter, 120W, 24V
- OPM-C15W-A6
WLAN Kit, IEEE 802.11ac + Bluetooth 5.1
- OPM-T003-A5
Slim Slot-in DVD-RW Drive
- OPM-T006-A1
Smart Card Reader Kit
- OPM-P09C-A3
25Wh Backup Battery
- OPM-C02C-A4
Two Isolated RS-232 PCIe Card
- OPM-C02C-A3
One Isolated USB 2.0 + Two Isolated R-232 PCIe Card
- OPM-V03B-A1
One Display Port + Two RS-232 Kit
- OPM-V03B-A2
One Display Port Kit
- OPM-T017-A5
Hot Swap Rack w/Lock Kit for 2.5" HDD/SSD
- OPM-T012-A2
Two RS-232 Kit
- OPM-V04B-A1
DICOM Kit
- OPM-R02X-A1
PCI Express [X1] Riser Kit
- OPM-U01T-A1
Line-out/Line-in/Mic Kit
- OPM-S07R-A9
RFID Reader Kit
- OPM-U02T-A2
One RS-232 + Line-out/Line-in/Mic Kit

Professional Medical All in One PC

ZEUS-228

22" Fanless 7th Generation Core i7 Professional Medical All in One PC



Features

- Intel® 7th Generation Core™ i7-7600U 3.9GHz Dual Core Processor
- 22" 250nits Full HD High Contrast LCD
- Support DDR4 SODIMM up to 32GB
- Capacitive Multi-Touch Screen
- Easy Cleaning Flat Screen
- 10 Programmable Smart Function Keys with Dual Colors LED Status Indication
- LAN /USB (optional)/COM(optional) Medical Isolation
- Super Speed 10Gb/s USB 3.1 Port
- PCI Express[x4] x 1, PCI Express[x1] x1(optional)
- Trusted Platform Module/Smart Card Reader(optional)/RFID Reader(optional)
- Remote Management : Inte Active management Technology
- +12V to +24V Wide Range DC Input / 100V to 240V AC input
- 25Wh Backup Battery (optional)

Specifications

MAIN SPECIFICATIONS

Processor	Intel® 7th Generation Core i7-7600U 3.9GHz Dual Core
System Memory	DDR4 SODIMM up to 32GB
Expansion	PCI Express[x4] x 1, PCI Express[x1] x1(optional)
Storage Disk Drive	2.5" SATA Hard Disk Drive/SSD x 1 Slim DVD-RW Drive x 1(optional) M.2 SSD x 1
Security	Trusted Platform Module, Smart Card reader(optional), RFID reader(optional)
Wireless Communication	802.11ac(optional), Bluetooth 5.1 (optional)
Speaker	5W x 2
Function Key	Speaker Volume Up/Down, LCD Brightness Up/Down, LCD On/Off, Touch Screen On/Off, DICOM Mode(optional), Reading Light On/Off
Power Requirement	DC12~24V, /AC 100~240V ,25Wh Back up battery(optional)
OS Support	Windows® 10, Linux®

DISPLAY

Size	22" LCD
Resolution	1920 x 1080
Luminance	250 nits
View Angle	178°(H)/178°(V)
Contrast Ratio	1000:1
Back Light Life Time	50,000 Hours
Touch Screen	Capacitive Multi-Touch

I/O

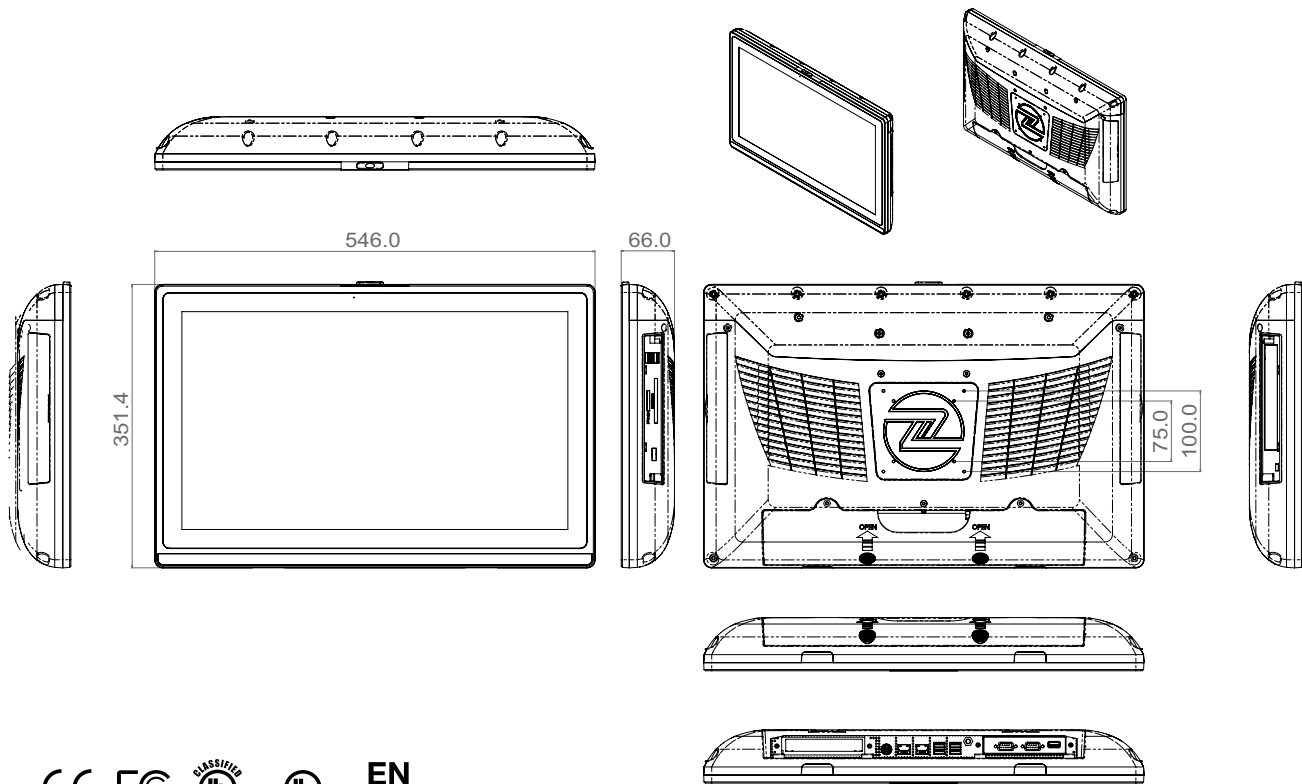
USB	USB 3.0 x 4, USB 3.1 x 2(side I/O) Isolated USB 2.0(optional)
Serial Port	Isolated RS-232 x 2(optional)
Ethernet	Isolated Gigabit LAN x 2
Video out	Display Port 1.2 x 1(optional)

MECHANICAL AND ENVIRONMENTAL

Power Consumption	Full Loading: 55 Watts
Operating Temperature	0°C ~ 40°C(32°F ~ 104°F)
Storage Temperature	-20°C ~ 60°C(-4°F ~ 140°F)
Mounting	VESA 75/100 mm
Degree of Protection	IP65 in the front, IP54 in the back
Dimension	546 x 352 x 66mm
Package size	750 x 220 x 490 mm
Gross Weight	12 kg (26.45 lb)
Net Weight	8kg (17.6lb)
Certifications	CE: EN 60601-1-2:2015(V4.0), EN 60601-1:2006/A1:2013(V3.1) FCC: Part 18 Class B UL: ANSI/AAMI ES60601-1:2012 (V3.1) cUL: CAN/CSA-C22.2 No. 60601-1:2014 (V3.1)

22" Fanless 7th Generation Core i7 Professional Medical All in One PC

Dimension / Unit: mm



Ordering Information

- ZEUS-228ST-A25-1010
i7-7600U, 22" LCD. 12~24V DC. Capacitive Touch
- ZEUS-228ST-A26-1010
i5-7300U, 22" LCD. 12~24V DC. Capacitive Touch
- ZEUS-228ST-B25-1010
i7-7600U, 22" LCD. 100~240V AC. Capacitive Touch
- ZEUS-228ST-B26-1010
i5-7300U, 22" LCD. 100~240V AC. Capacitive Touch

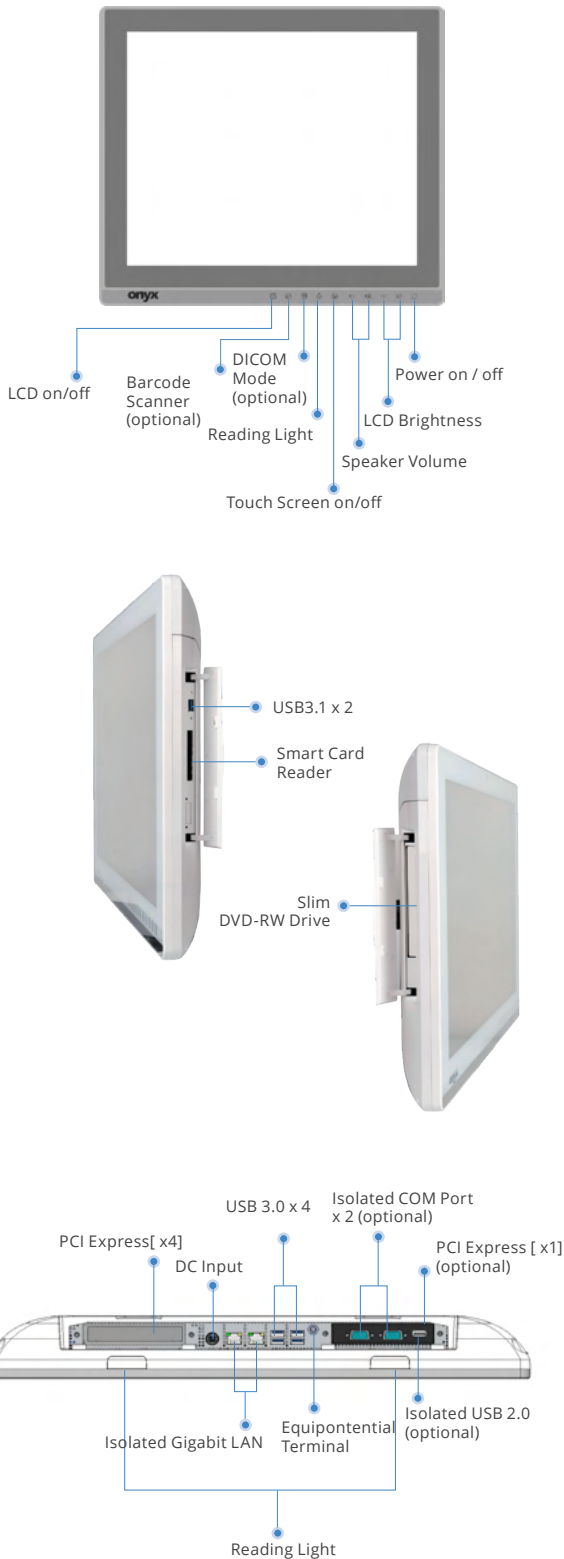
Optional Accessories

- 1255301202
Medical Power Adapter, 120W, 24V
- OPM-C15W-A6
WLAN Kit, IEEE 802.11ac + Bluetooth 5.1
- OPM-T003-A4
Slim Slot-in DVD-RW Drive
- OPM-T006-A1
Smart Card Reader Kit
- OPM-P09C-A2
25Wh Backup Battery
- OPM-C02C-A4
Two Isolated RS-232 PCIe Card
- OPM-C02C-A3
One Isolated USB 2.0 + Two Isolated R-232 PCIe Card
- OPM-V03B-A1
One Display Port + Two RS-232 Kit
- OPM-V03B-A2
One Display Port Kit
- OPM-T017-A1
Hot Swap Rack w/Lock Kit for 2.5" HDD/SSD
- OPM-T012-A2
Two RS-232 Kit
- OPM-V04B-A2
DICOM Kit
- OPM-R02X-A1
PCI Express [X1] Riser Kit
- OPM-U01T-A1
Line-out/Line-in/Mic Kit
- OPM-S07R-A8
RFID Reader Kit
- OPM-U02T-A2
One RS-232 + Line-out/Line-in/Mic Kit

Professional Medical All in One PC

ZEUS-198

19" Fanless 7th Generation Core i7 Professional Medical All in One PC



Features

- Intel® 7th Generation Core i7-7600U 3.9GHz Dual Core Processor
- 19" 250-nit SXGA LCD
- Supports DDR4 SODIMM up to 32GB
- Capacitive Multi-Touch Screen
- Easy Cleaning Flat Screen
- 10 Programmable Smart Function Keys with Dual Colors LED Status Indication
- LAN/USB(optional)/COM(optional) Medical Isolation
- Super Speed 10Gb/s USB 3.1 Port
- PCI Express[x4] x 1, PCI Express[x1] x1(optional)
- Trusted Platform Module / Smart Card Reader(optional) / RFID Reader (optional)
- Remote Management: Intel Active Management Technology
- +12V to +24V wide range DC input
- 25Wh Backup Battery(optional)

Specifications

MAIN SPECIFICATIONS

Processor	Intel® 7th Generation Core i7-7600U 3.9GHz Dual Core
System Memory	DDR4 SODIMM up to 32GB
Expansion	PCI Express[x4] x 1, PCI Express[x1]x1(optional)
Storage Disk Drive	2.5" SATA Hard Disk Drive/SSD x 1 Slim DVD-RW Drive x 1(optional) M.2 SSD x 1
Security	Trusted Platform Module, Smart Card reader(optional), RFID(optional)
Wireless Communication	802.11ac(optional), Bluetooth 5.1 (optional)
Speaker	5W x 2
Function Key	Speaker Volume Up/Down, LCD Brightness Up/Down, LCD On/Off, Touch Screen On/Off, DICOM Mode(optional), Reading Light On/Off
Power Requirement	DC 12~24V, 25Wh Back Up Battery(optional)
OS Support	Windows® 10, Linux®

DISPLAY

Size	19" LCD
Resolution	1280x1024
Luminance	250 nits
View Angle	170°(H)/160°(V)
Contrast Ratio	1000:1
Back Light Life Time	30,000 Hours
Touch Screen	Capacitive Multi-Touch

I/O

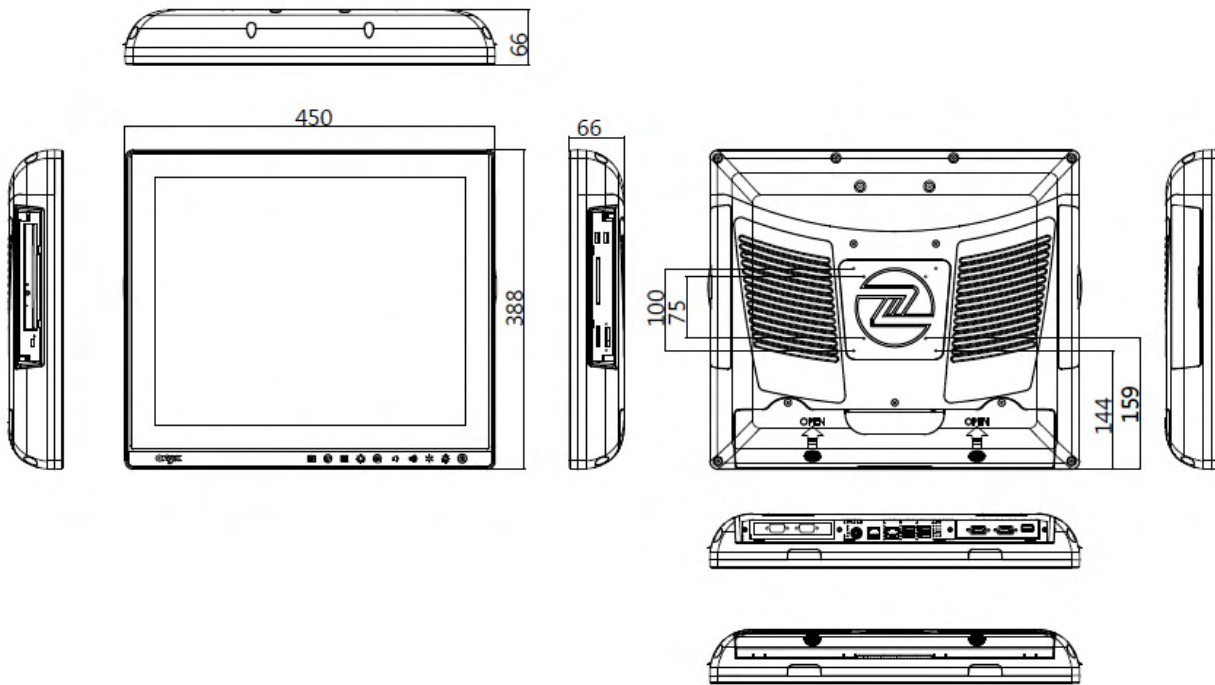
USB	USB 3.0 x 4, USB 3.1 x 2(in side I/O), Isolated USB 2.0 x1(optional)
Serial Port	Isolated RS-232 x 2(optional)
Ethernet	Isolated Gigabit LAN x 2
Audio	Mic(optional)/ Line out(optional)
Video out	Display Port 1.2 x 1(optional)

MECHANICAL AND ENVIRONMENTAL

Power Consumption	Full Loading: 55 Watts
Operating Temperature	0°C ~ 40°C(32°F ~ 104°F)
Storage Temperature	-20°C ~ 60°C(-4°F ~ 140°F)
Mounting	VESA 75/100 mm
Degree of Protection	IP65 in the front, IP54 in the back
Dimension	450 x 388 x 66 mm
Package Size	640 x 220 x 520mm
Gross Weight	11 kg (24.25 lb)
Net Weight	7kg (15.43lb)
Certifications	CE: EN 60601-1-2:2015(V4.0), EN 60601-1:2006/A1:2013(V3.1) FCC: Part 18 Class B UL: ANSI/AAMI ES60601-1:2012 (V3.1) cUL: CAN/CSA-C22.2 No. 60601-1:2014 (V3.1)

19" Fanless 7th Generation Core i7 Professional Medical All in One PC

Dimension / Unit: mm



Ordering Information

- ZEUS-198ST-A25-1010
i7-7600U.19" LCD.12~24V DC.Capacitive Touch
- ZEUS-198ST-A26-1010
i5-7300U.19" LCD.12~24V DC.Capacitive Touch

Optional Accessories

- 1255301202
Medical Power Adapter, 120W, 24V
- OPM-C15W-A6
WLAN Kit, IEEE 802.11ac + Bluetooth 5.1
- OPM-T003-A5
Slim Slot-in DVD-RW Drive
- OPM-T006-A1
Smart Card Reader Kit
- OPM-P09C-A1
25Wh Backup Battery
- OPM-C02C-A4
Two Isolated RS-232 PCIe Card
- OPM-C02C-A3
One Isolated USB 2.0 + Two Isolated R-232 PCIe Card
- OPM-V03B-A1
One Display Port + Two RS-232 Kit
- OPM-V03B-A2
One Display Port Kit
- OPM-T017-A3
Hot Swap Rack w/Lock Kit for 2.5" HDD/SSD
- OPM-T012-A2
Two RS-232 Kit
- OPM-V04B-A1
DICOM Kit
- OPM-R02X-A1
PCI Express [X1] Riser Kit
- OPM-U01T-A1
Line-out/Line-in/Mic Kit
- OPM-S07R-A7
RFID Reader- Kit
- OPM-U02T-A2
One RS-232 + Line-out/Line-in/Mic Kit

MEDICAL PC & MONITOR FOR DIGITAL OR

In a digital operating room, important information and images such as patient vital signs, surgical images, and xray images need to be displayed all at once. With the latest technology, ACCEL series offers large screen ultra high definition 4K resolution display, AV over IP video solution, medical recorder, Intel Xeon / Core i7 quad core processor, AMD Ryzen Embedded V1000 Processor capacitive multi-touch screen and multiple video inputs to improve display quality and work efficiency.



32/27-inch 4K UHD High Resolution & High Brightness Display

- ◆ Intel Xeon / Core i7 Platform
- ◆ Triple PCI Express Slot for High End Graphics, Fiber LAN and UHD Video Capture
- ◆ Enhance functional for Medical Imaging
- ◆ IP54 Certified, Antimicrobial Surface Coatin and Fanless

32/27-INCH 4K UHD HIGH RESOLUTION & HIGH BRIGHTNESS DISPLAY

ACCEL series offers 32/27-inch 3240x2160 resolution high brightness display for high resolution medical imaging



INTEL® QUAD CORE XEON PLATFORM

For mission-critical medical application, Intel Quad Core Xeon Processor provides cutting edge computing power and ECC(Error-correcting code) memory helps preserve the integrity of your data, prevent data corruption, and prevent system crashed and failures.



TRIPLE PCI EXPRESS SLOT FOR HIGH END GRAPHICS, FIBER LAN & UHD VIDEO CAPTURE

ACCEL surgical station provide one PCI Express[x16] slot, one PCI Express[x4] slot and one PCI Express[x1] slot for installing high end graphics card, NVIDIA Tesla GPU accelerator, fiber 10GbE LAN card and 4K UHD video capture card.



ENHANCE FUNCTIONAL FOR MEDICAL IMAGING

ACCEL surgical monitor provides the embedded solutions for Medical Imaging, the multipicture functionality and backlight sensor could automatic to adjust the image to ensure a user has the most clearly diagnostic.



IP54 CERTIFIED, ANTIMICROBIAL SURFACE COATIN AND FANLESS

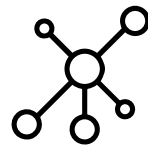
ACCEL surgical monitor has IP54 certified gives the complete protection against contact from dust and powerful jets of water. and the Antimicrobial Surface Coating which could provide the best clean and healthy environment



FEATURES FOR VM100/200/VS100

IP NETWORK WITH ONE CABLE SOLUTION

Onyx AV over IP video solution allows user to use one copper or one fiber to transmit video and audio signal, therefore, user use less cable for the installation of operating room



ZERO LATENCY

Near zero Sub-millisecond latency provides better accuracy and increase safety during the surgery



MEDICAL CERTIFICATION AND UNCOMPRESSED TRANSMISSION

Onyx Medical AV over IP video solution certifies with IEC60601 and FCC Part 18



UNCOMPRESSED TRANSMISSION

Onyx AV over IP video solution supports 4K video uncompressed transmission (4:4:4)



OPEN API AND SDK FOR EASY INTEGRATION WITH EXISTING INFRASTRUCTURE

Onyx can provide API or SDK for the system integrator to do the integration with existing infrastructure and also can provide standard UI for the system integrator to be familiar with our solution easily.



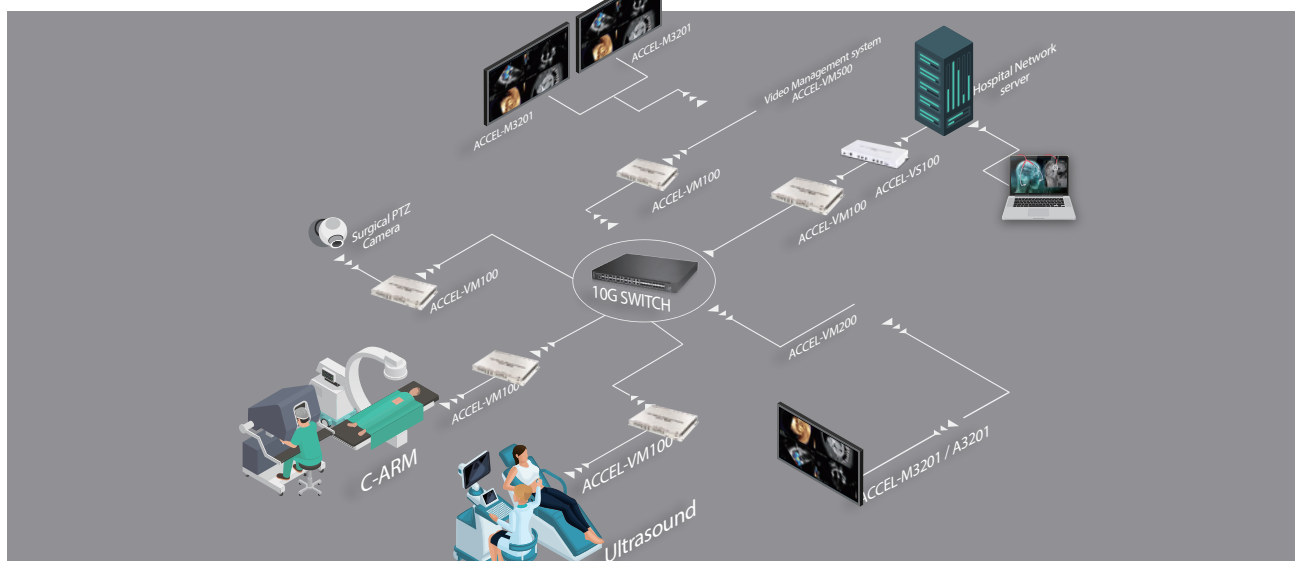
ACCEL DIGITAL OR SOFTWARE SOLUTION FOR SWITCHING, ROUTING, RECORDING AND STREAMING

Onyx Software solution provides the function of video switching, routing, recording and streaming



RECORDING AND 4K VIDEO STREAMING

Onyx can provide API or SDK for the system integrator to do the integration with existing infrastructure and also can provide standard UI for the system integrator to be familiar with our solution easily.



FEATURES FOR ACCEL-VM500 MEDICAL RECORDER

MULTIPLE VIDEO INPUT INTERFACE FOR FULL HD OR 4K VIDEO RECORDING

Onyx Medical recorder support Full HD recording with different legacy video input interface including YPbPR, CVBS, DVI or S-Video and 4K Video recording with HDMI input



MEDICAL CERTIFICATION

Onyx recording system certifies with UL60601-1, IEC60601-1 and FCC Part 18



SDK PROVIDE

Onyx can provide SDK for the system integrator to do the integration with existing infrastructure



MULTIPLE STORAGE SUPPORT

Support 2 x 2.5" HDD or SSD and 1 x M.2 NVMe SSD.



ONYX VERSION RECORDING SOFTWARE (ACCEL-RM)

Onyx also can provide Onyx version recording software including the features below

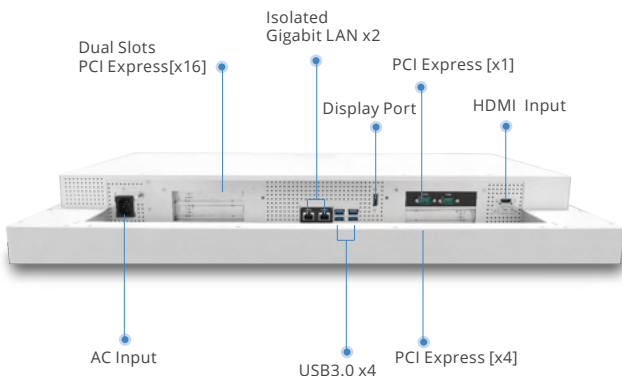
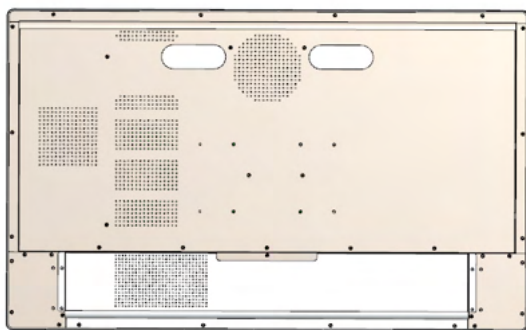
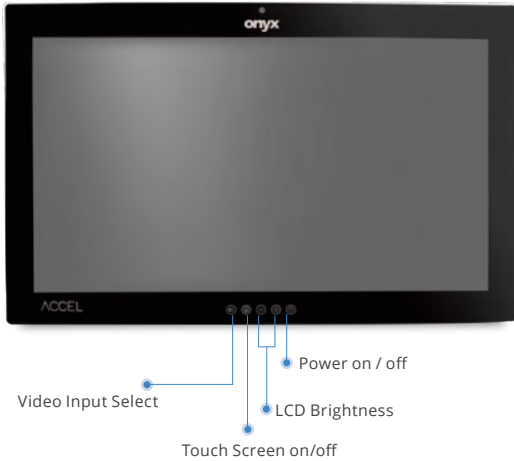
- Patient data entry and archiving
- Video playback, copy and preview
- Video timeline tag and editing
- Snapshot of the video as a picture to save
- When two or more Capture Cards are detected, it will automatically switch to Dual Mode



Medical PC & Monitor for Digital OR

ACCEL-A3201

32" 4K UHD 6th Generation Xeon / Core i7 Medial All in One PC for AI Inference



Features

- Intel® 6th Generation Xeon E3-1505M v5 2.8GHz Quad Core / Core i7-6820EQ 2.8GHz Quad Core
- Supports ECC / Non-ECC DDR4 SODIMM up to 32GB
- 32" UHD 3840x2160 350-nit High Contrast LCD
- Capacitive Multi-Touch Screen
- 5 Programmable Smart Function Keys with Dual Colors LED Status Indication
- LAN/USB(optional)/COM(optional) Medical Isolation
- Dual Slots PCI Express[x16] x1 for High End Graphics Card /GPU Accelerator Card up to 300W
- PCI Express[x4] x1, PCI Express[x1]x1
- Trusted Platform Module 2.0
- Remote Management: Intel Active Management Technology
- 100V to 240V AC Input

Specifications

MAIN SPECIFICATIONS

Processor	Intel® 6th Generation Xeon E3-1505M v5 2.8GHz Quad Core / Core i7-6820QE 2.8GHz Quad Core
Chipset	CM236 (for Xeon) / QM170(for Core i7)
System Memory	ECC (for Xeon) / Non-ECC (for Core i7) DDR4 SODIMM up to 32GB
Expansion	PCI Express[x16] x1, PCI Express[x4] x1, PCI Express[x1] x1
Storage Disk Drive	2.5" SATA Hard Disk Drive/Solid State Disk Drive x2
Security	Trusted Platform Module 2.0
Wireless Communication	802.11ac , Bluetooth 5.1
Speaker	5W x 2
Function Key	Power On/Off, LCD, Brightness Up/Down, Touch Screen On/Off , Video Input Select
Power Requirement	100~240V AC
OS Support	Windows® 7, Windows® 10, Linux®

DISPLAY

Size	32" LCD
Resolution	3840 x 2160
Luminance	350 nits
View Angle	178°(H)/178°(V)
Contrast Ratio	1000:1
Back Light Life Time	30,000 Hours
Touch Screen	Capacitive Multi-Touch

I/O

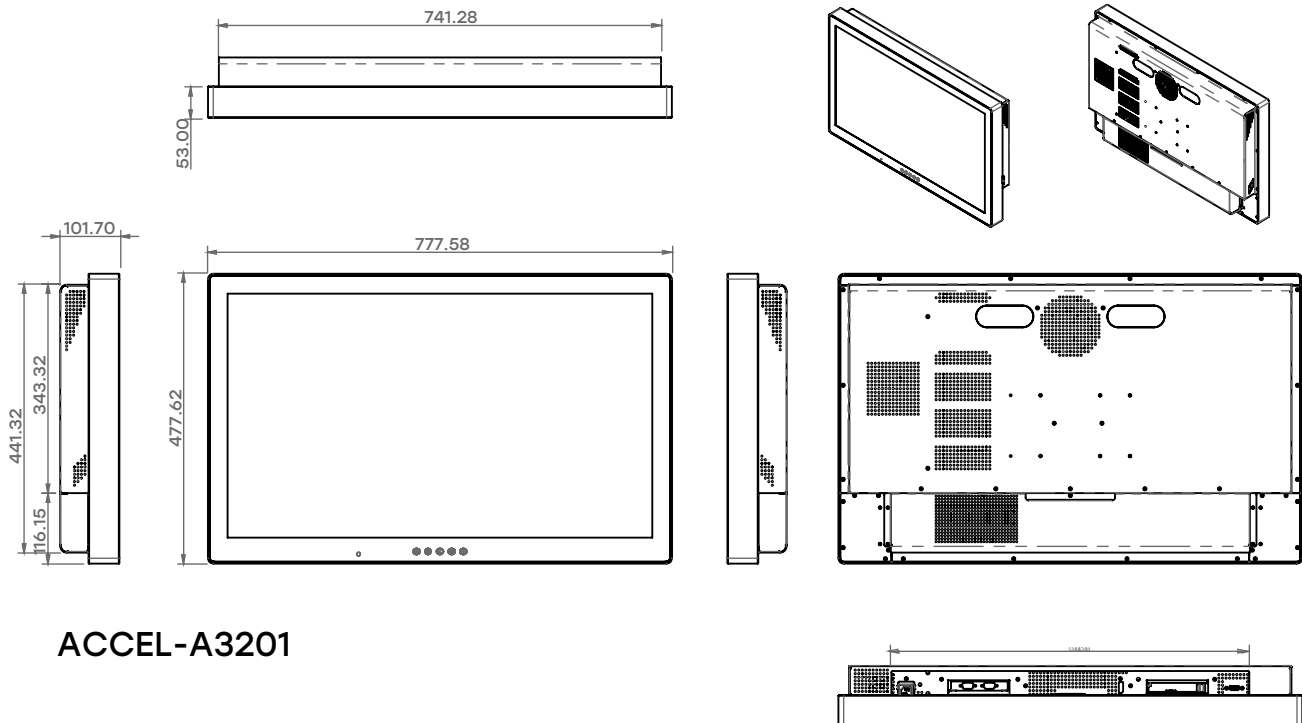
USB	USB 3.0 x4
Serial Port	Isolated RS-232 x2(optional)
Ethernet	Isolated Gigabit LAN x2
Audio	Mic(optional), Line out(optional)
Video Out	Display Port 1.4 x1
Video In	HDMI x1

MECHANICAL AND ENVIRONMENTAL

Power Consumption	Full loading : 90 Watts
Operating Temperature	0°C ~ 35°C(32°F ~ 95°F)
Storage Temperature	-20°C ~ 60°C(-4°F ~ 140°F)
Mounting	VESA 100mm
Degree of Protection	IP54 in the front, IPX1 in the back
Dimension	778 x 478 x 102mm
Package Size	910 x 618 x 220 mm
Gross Weight	21.5 kg (47.4 lb)
Net Weight	18.5 kg (40.8 lb)
Certifications	CE: EN 60601-1-2:2015(V4.0), EN 60601-1:2006/A1:2013(V3.1) FCC: Part 18 Class B UL: ANSI/AAMI ES60601-1:2012 (V3.1) cUL: CAN/CSA-C22.2 No. 60601-1:2014 (V3.1)

32" 4K UHD 6th Generation Xeon / Core i7 Medial All in One PC for AI Inference

Dimension / Unit: mm



ACCEL-A3201



Ordering Information

- ACCEL-A3201-P1-A1-0010
OR Station.Xeon E3-1505M v5.32" UHD 350-nit.System Fan.
AC 100~240V. Capacitive Touch
- ACCEL-A3201-P2-A1-0010
OR Station.i7-6820EQ.32" UHD 350-nit.System Fan.
AC 100~240V. Capacitive Touch

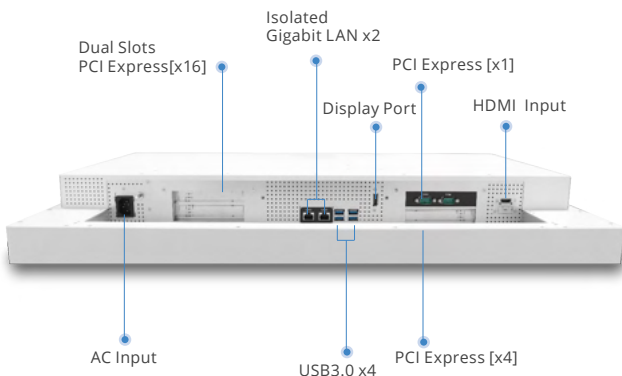
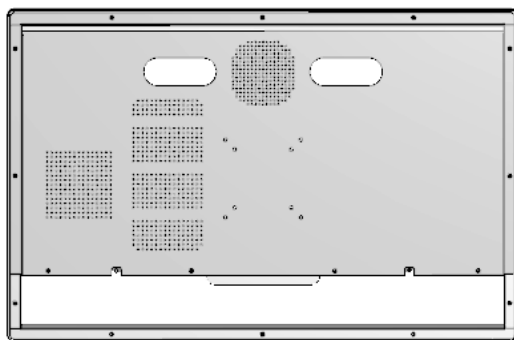
Optional Accessories

- OPM-C15W-A6
WLAN Kit, 802.11a/b/g/n/ac + BT 5.1
- OPM-C02C-A3
One Isolated USB 2.0 + Two Isolated RS-232 PCIe Card
- OPM-C02C-A4
Two Isolated RS-232 PCIe Card
- 9789320100
IR Remote Control for Display Setting
- OPM-H08S-A2
Desktop Stand, White Color, VESA 75/100,
385mm Height .

Medical PC & Monitor for Digital OR

ACCEL-A2701

27" 4K UHD 6th Generation Xeon / Core i7 Medial All in One PC for AI Inference



Features

- Intel® 6th Generation Xeon E3-1505M v5 2.8GHz Quad Core / Core i7-6820EQ 2.8GHz Quad Core
- Supports ECC / Non-ECC DDR4 SODIMM up to 32GB
- 27" UHD 3840x2160 250-nit High Contrast LCD
- Capacitive Multi-Touch Screen
- 5 Programmable Smart Function Keys with Dual Colors LED Status Indication
- LAN/USB(optional)/COM(optional) Medical Isolation
- Dual Slots PCI Express[x16] x1 for High End Graphics Card /GPU Accelerator Card up to 300W
- PCI Express[x4] x1, PCI Express[x1]x1
- Trusted Platform Module 2.0
- Remote Management: Intel Active Management Technology
- 100V to 240V AC Input

Specifications

MAIN SPECIFICATIONS

Processor	Intel® 6th Generation Xeon E3-1505M v5 2.8GHz Quad Core / Core i7-6820QE 2.8GHz Quad Core
Chipset	CM236 (for Xeon) / QM170(for Core i7)
System Memory	ECC (for Xeon) / Non-ECC (for Core i7) DDR4 SODIMM up to 32GB
Expansion	PCI Express[x16] x1, PCI Express[x4] x1, PCI Express[x1] x1
Storage Disk Drive	2.5" SATA Hard Disk Drive/Solid State Disk Drive x2
Security	Trusted Platform Module 2.0
Wireless Communication	802.11ac, Bluetooth 5.1
Speaker	5W x 2
Function Key	Power On/Off, LCD,Brightness Up/Down, Touch Screen On/Off, Video Input Select
Power Requirement	100~240V AC
OS Support	Windows® 7, Windows® 10, Linux®

DISPLAY

Size	27" LCD
Resolution	3840 x 2160
Luminance	250 nits
View Angle	178°(H)/178°(V)
Contrast Ratio	1000:1
Back Light Life Time	30,000 Hours
Touch Screen	Capacitive Multi-Touch

I/O

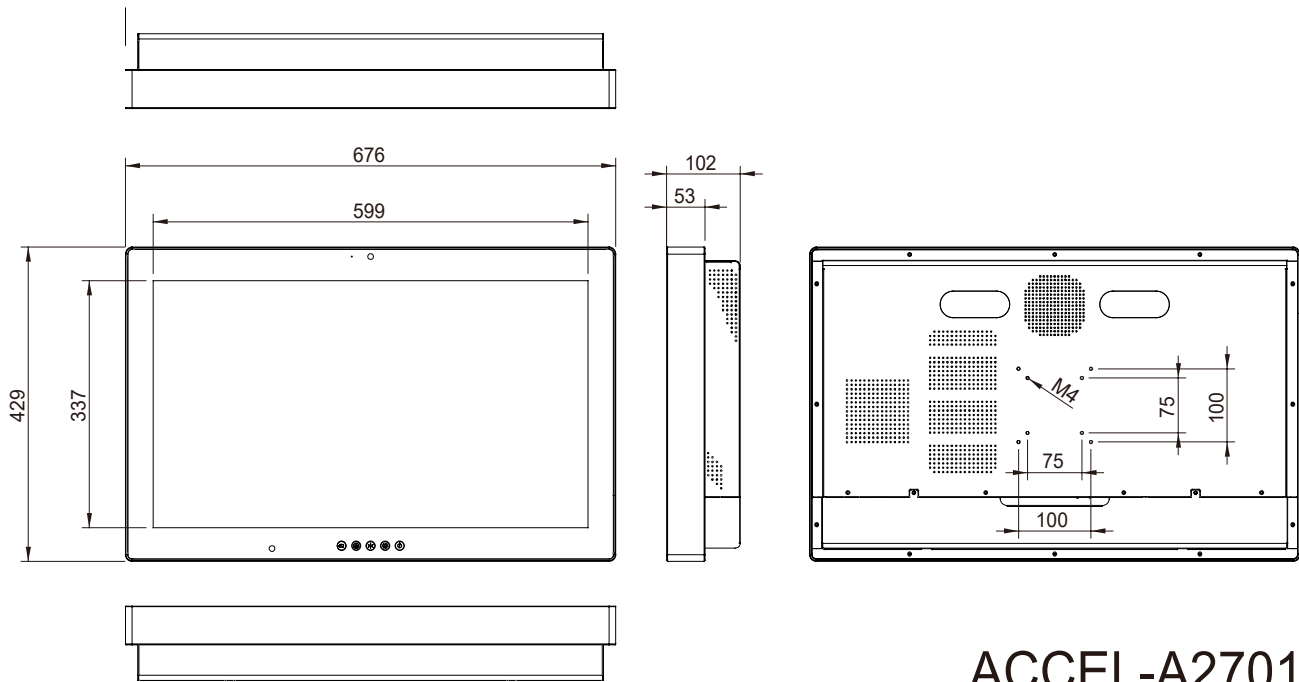
USB	USB 3.0 x4
Serial Port	Isolated RS-232 x2(optional)
Ethernet	Isolated Gigabit LAN x2
Audio	Mic(optional), Line out(optional)
Video Out	Display Port 1.4 x1
Video In	HDMI x1

MECHANICAL AND ENVIRONMENTAL

Power Consumption	Full loading : 90 Watts
Operating Temperature	0°C ~ 35°C(32°F ~ 95°F)
Storage Temperature	-20°C ~ 60°C(-4°F ~ 140°F)
Mounting	VESA 100mm
Degree of Protection	IP54 in the front, IPX1 in the back
Dimension	676 x 429 x 102 mm
Package Size	820 x 575 x 230 mm
Gross Weight	16 kg (35.3 lb)
Net Weight	13.5 kg (29.76 lb)
Certifications	CE: EN 60601-1-2:2015(V4.0), EN 60601-1:2006/A1:2013(V3.1) FCC: Part 18 Class B UL: ANSI/AAMI ES60601-1:2012 (V3.1) cUL: CAN/CSA-C22.2 No. 60601-1:2014 (V3.1)

27" 4K UHD 6th Generation Xeon / Core i7 Medial All in One PC for AI Inference

Dimension / Unit: mm



ACCEL-A2701



Ordering Information

- ACCEL-A2701-P1-A1-0010
OR Station. Xeon E3-1505M v5.27" UHD.
AC 100~240V.Capacitive Touch
- ACCEL-A2701-P2-A1-0010
OR Station. i7-6820EQ.27" UHD.
AC 100~240V.Capacitive Touch

Optional Accessories

- OPM-C15W-A6
WLAN Kit, 802.11a/b/g/n/ac + BT 5.1
- 9789320100
Remote Control for Display Setting
- OPM-T004-A5
5M Pixels Camera with Mic Trip
- OPM-C02C-A3
One Isolated USB 2.0 + Two Isolated RS-232 PCIe Card
- OPM-C02C-A4
Two Isolated RS-232 PCIe Card
- OPM-H08S-A1
Desktop Stand, White Color, VESA 75/100, 390mm Height Max.

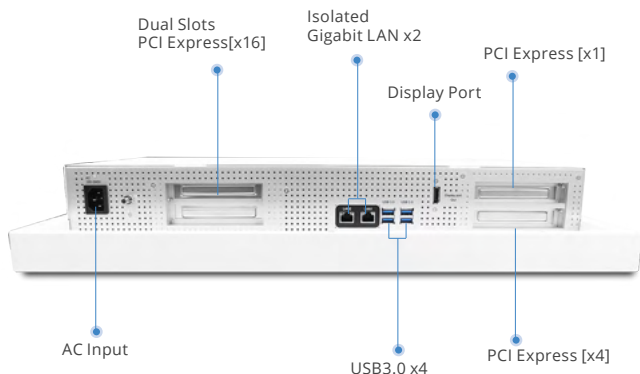
Medical PC & Monitor for Digital OR

ACCEL-A2401

24" FHD 9th Generation Xeon / Core i7 Medical All in One PC for AI Inference



Power on / off
LCD Brightness
Touch Screen on/off



Features

- Intel® 9th Generation Xeon E-2276ML 2.0GHz Six Core / Core i7-9850HL 1.9GHz Six Core
- Supports ECC / Non-ECC DDR4 SODIMM up to 64GB
- 24" FHD 1920x1080 400-nit High Contrast LCD
- Capacitive Multi-Touch Screen
- 4 Programmable Smart Function Keys with Dual Colors LED Status Indication
- LAN/USB(optional)/COM(optional) Medical Isolation
- Dual Slots PCI Express[x16] x1 for High End Graphics Card /GPU Accelerator Card up to 250W
- PCI Express[x4] x1, PCI Express[x1]x1
- Trusted Platform Module 2.0
- Remote Management: Intel Active Management Technology
- 100V to 240V AC Input

Specifications

MAIN SPECIFICATIONS

Processor	Intel® 9th Generation Xeon E-2276ML 2.0GHz Six Core / Core i7-9850HL 1.9GHz Six Core
Chipset	CM246 (for Xeon) / QM370(for Core i7)
System Memory	ECC (for Xeon) / Non-ECC (for Core i7) DDR4 SODIMM up to 64GB
Expansion	PCI Express[x16] x1, PCI Express[x4] x1, PCI Express[x1] x1
Storage Disk Drive	2.5" SATA Hard Disk Drive/Solid State Disk Drive x2
Security	Trusted Platform Module 2.0
Wireless Communication	802.11ac, Bluetooth 5.1
Speaker	5W x 2
Function Key	Power On/Off, LCD, Brightness Up/Down, Touch Screen On/Off
Power Requirement	100~240V AC
OS Support	Windows® 10, Linux®

DISPLAY

Size	24" LCD
Resolution	1920 x 1080
Luminance	400 nits
View Angle	178°(H)/178°(V)
Contrast Ratio	1000:1
Back Light Life Time	30,000 Hours
Touch Screen	Capacitive Multi-Touch

I/O

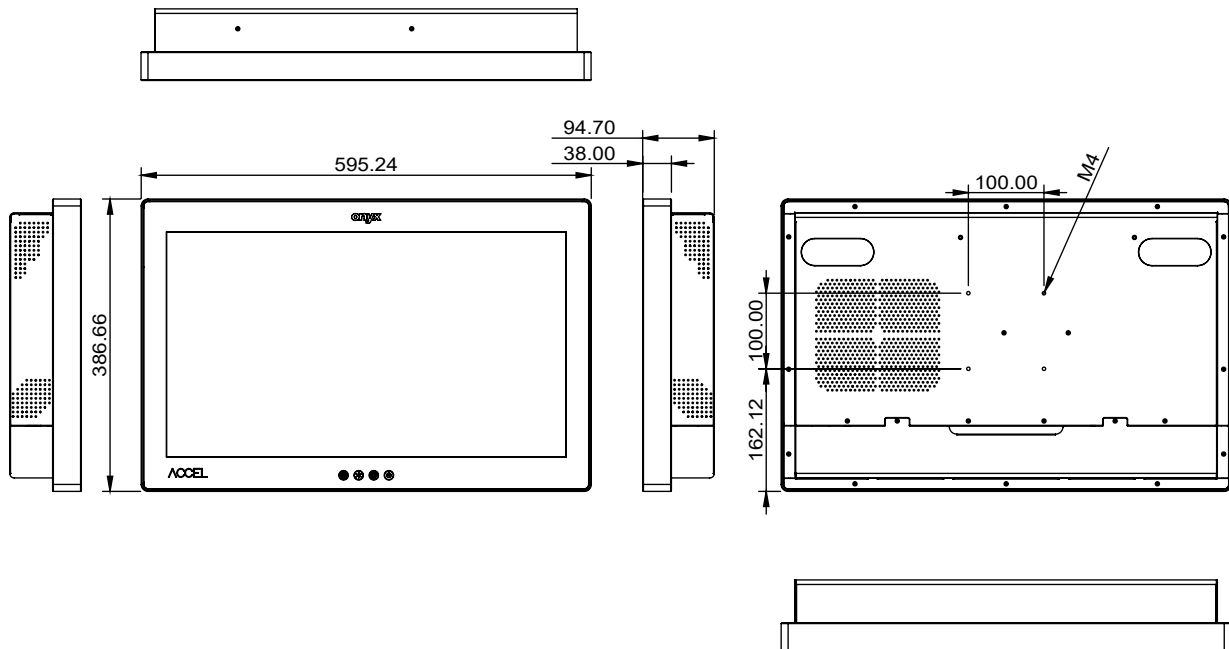
USB	USB 3.0 x4
Serial Port	Isolated RS-232 x2(optional)
Ethernet	Isolated Gigabit LAN x2
Audio	Mic(optional), Line out(optional)
Video Out	Display Port 1.4 x1

MECHANICAL AND ENVIRONMENTAL

Power Consumption	Full loading : 75 Watts
Operating Temperature	0°C ~ 35°C(32°F ~ 95°F)
Storage Temperature	-20°C ~ 60°C(-4°F ~ 140°F)
Mounting	VESA 100mm
Degree of Protection	IP54 in the front, IPX1 in the back
Dimension	595 x 387 x 95 mm
Package Size	764 x 240 x 534 mm
Gross Weight	13 kg (28.7 lb)
Net Weight	11 Kg (24.3 lb)
Certifications	CE: EN 60601-1-2:2015(V4.0), EN 60601-1:2006/A1:2013(V3.1) FCC: Part 18 Class B UL: ANSI/AAMI ES60601-1:2012 (V3.1) cUL: CAN/CSA-C22.2 No. 60601-1:2014 (V3.1)

24" FHD 9th Generation Xeon / Core i7 Medial All in One PC for AI Inference

Dimension / Unit: mm



Ordering Information

- ACCEL-A2401-P1-A1-0010
OR Station.Xeon E3-2276ML.24" FHD.Capacitive Touch
- ACCEL-A2401-P2-A1-0010
OR Station.i7-9850HL.24" FHD.Capacitive Touch

Optional Accessories

- OPM-C15W-A6
WLAN Kit, 802.11ac + BT 5.1
- OPM-C02C-A3
One Isolated USB 2.0 + Two Isolated RS-232 PCIe Card
- OPM-C02C-A4
Two Isolated RS-232 PCIe Card
- OPM-H08S-A1
Desktop Stand, White Color, VESA 75/100, 390mm Height Max.

Medical PC & Monitor for Digital OR

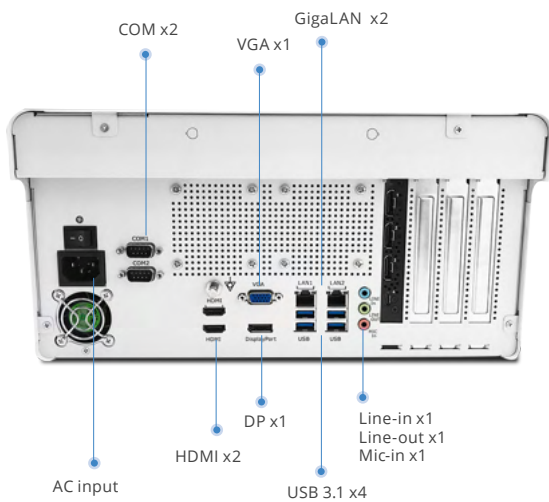
ACCEL-VM500R

Medical Video Management System with 9th Generation Intel Xeon / Core i7 CPU



Power button

USB 2.0 x2 /
USB 3.0 x2 (optional)



COM x2

VGA x1

GigaLAN x2

AC input

HDMI x2

DP x1

Line-in x1
Line-out x1
Mic-in x1

USB 3.1 x4

Features

- Intel® 9th generation Core I/Xeon Processor with C246A chipset
- Supports ECC DDR4 DIMM up to 64GB memory
- Excellent Thermal design with low fan noise OR room environment
- Support TPM 2.0 for security management
- Support Three 4K Displays: HDMI x 2, DP x 1
- System is medical Certified with graphic card and capture card
- Support the integration of Nvidia RTX A4000, A5000 and A6000 GPU Card
- Support CD DVD(optional)
- Support Built in speaker (optional)

Application

- Equipment control
- Video recording in OR room
- Medical AI Application

Specifications

MAIN SPECIFICATIONS

Processor	Intel® 9th generation Core I/Xeon Processor
System Memory	Supports ECC/Non-ECC DDR4 2133 DIMM x 4 up to 64GB
Chipset	Intel® C246A
OS Support	Windows® 10 , Windows® 11 , Linux (optional)
Storage Disk Drive	2.5" SATA SSD x 2 , M.2 2280 M Key SSD x 1 (NVMe or SATA SSD)
TPM	2.0
Speaker (Optional)	Built in Speaker
CD DVD(Optional)	SATA DVD+/-RW White Color

I/O

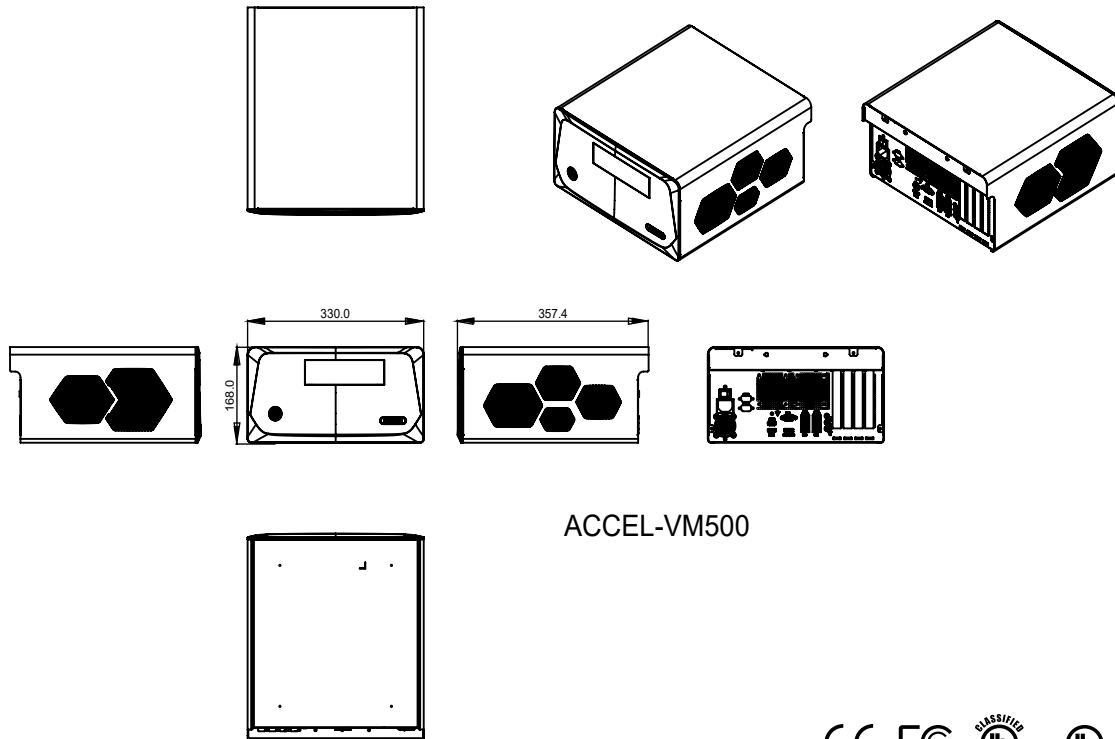
USB	Rear USB 3.1 Gen 1 x 4
	Front USB 2.0 or USB 3.0(Optional)
	Rear USB 3.1 Gen 2 x 6(Optional)
Ethernet	Gigabit LAN x 2
Audio	Line-in x 1, Mic-in x 1 and Line-out x 1
Serial Ports	RS-232 x 2
Extension area	M.2 E Key 2230 x 1 for Wireless module PCIe 3.0[x16] x1, PCIe 3.0 [x4] x2, PCIe 3.0 [x1] x 1
Capture card (optional)	4Kp60: HDMI 2.0 in FHD: HDMI x1, DVI-I x 1, YPbPr x1, SDI x1, CVBS x 1, S-Video x 1

MECHANICAL AND ENVIRONMENTAL

Power Consumption	100V to 240V AC Input, 500W
Operating Temperature	0°C ~ 35°C(32°F ~ 95°F)
Storage Temperature	-20°C ~ 60°C(-4°F ~ 140°F)
Dimension	330 x 357.4 x 168 mm
Package Size	500 x 490 x 300 mm
Gross Weight	8.6 kg
Net Weight	8 kg
Certifications	CE: EN 60601-1-2:2015(V4.0), EN 60601-1:2006/A1:2013/A12:2014 (V3.1) FCC: Part 18 Class B UL: ANSI/AAMI ES60601-1:2012 (V3.1) cUL: CAN/CSA-C22.2 No. 60601-1:2014 (V3.1)

Medical Video Management System with 9th Generation Intel Xeon / Core i7 CPU

Dimension / Unit: mm



Ordering Information

- ACCEL-VM500-N1-A1-0010
Medical Box PC.I7-9700E.FAN.4PCIe slot.AC 100~240V.White
- ACCEL-VM500-N2-A1-0010
Medical Box PC.E-2278GE.FAN.4PCIe slot.AC 100~240V.White
- ACCEL-VM500R-N1-A1-0010
4K UHD Medical Recorder.i7-9700E.Fan.16GB RAM.1TB HDD.Win 10 IoT.4Kp60+FHD.
ACCE-RM Pre-installed

Optional Accessories

- OPM-C12W-A13
WLAN Kit.802.11a/b/g/n/ac.w/BT 4.1.dual ext. antenna.
Qualcomm Atheros NFA364A.for ACCEL-VM500
- OPM-C15W-A13
WLAN Kit.802.11a/b/g/n/ac.BT 5.dual ext. antenna.
Intel AC 9260NGWGIE.NV,999LV6.for ACCEL-VM500
- 9686400008
Graphics Card.NVIDIA Quadro RTX4000 8GB.GDDR6 PCI-E.
NVIDIA.RTX4000
- 9686666685
4k HDMI capture card.2 Port.HDMI2.0
- 9686015601
Full HD PCIe Video.Capture Card. 1×HDMI, 1×DVI-I, 1×YPbPr,
1×SDI, 1×CVBS, 1×S-Video
- A50-SEC-A1
Second 2.5" HDD/SSD kit .for ACCEL-VM500
- A50-SPK-A2
5W Internal Speaker kit.for ACCEL-VM500
- 9686500002
(AOH)(TF)Graphics Card.NVIDIA Quadro RTX5000.16GB GDDR6.
PCI-E.NVIDIA.RTX5000
- 9686A40000
(AOH)(TF)Graphics Card.NVIDIA Quadro RTXA4000.16GB.GDDR6.
PCI-E 4.0*16.DP 1.4.NVIDIA.RTX A4000
- 9686A50000
(AOH)(TF)Graphics Card.NVIDIA Quadro RTXA5000.24GB.GDDR6.
PCI-E 4.0*16.DP 1.4.NVIDIA.RTX A5000
- 9686A60000
(AOH)(TF)Graphics Card.NVIDIA Quadro RTXA6000.48GB.GDDR6.
PCI-E 4.0*16.DP 1.4.NVIDIA.RTX A6000

Medical PC & Monitor for Digital OR

ACCEL-VM100

HDMI/DP over IP Transceiver with USB Extension for Digital OR



Features

- Can be configured to function as either a Transmitter or a Receiver
- IP switchable with minimum latency requires optional control center or control software
- Extension up to 30km (maximum distance depends on the SFP+ module and type of fiber used)
- Supports the use of an external control center or control software to provide expanded functionality

Specifications

INTERFACES

Input Port	1 x HDMI (Type-A) 1 x DisplayPort
Output Port	1 x HDMI (Type-A)
Bi-directional Port	1 x 10GbE LAN (SFP+)
Pass-through Port	1 x Unbalanced Stereo (3.5mm) 1 x IR Extender (3.5mm) 1 x IR Blaster (3.5mm) 1 x RS-232 (3-pin Terminal Block) 1 x Ethernet (RJ-45) 3 x USB (Type-A)
Service Port	1 x USB (Mini-B)

VIDEO

HDMI Compliance	HDMI 2.0 (DVI 1.0)
HDCP Compliance	2.2
Input Signal Types	HDMI 2.0 / 4K@60, HDR10 / DisplayPort 1.4 HBR2

RESOLUTIONS

Maximum Input	HDMI - 4096×2160p@60, 2560×1600p@60RB DisplayPort - 4096×2160p@60, 2560×1600p@60RB Streaming - 4096×2160p@60, 2560×1600p@60RB
Maximum Output	HDMI - 4096×2160p@60, 2560×1600p@60RB Streaming - 4096×2160p@60, 2560×1600p@60RB

AUDIO

Digital Formats	HDMI - 8CH LPCM, Bitstream, HD Bitstream DisplayPort - 8CH LPCM, Bitstream, HD Bitstream
Analog Formats	Unbalanced 2 Channel
Line Level	Frequency Response: $\pm 0.5\text{dB}$ (20Hz to 20kHz) THD: <math>< 0.02\%</math> (20Hz to 20kHz) S/N Ratio: > 80dB (1kHz with 0dBFS) Crosstalk: <math>< -80\text{dB}</math> (10kHz, $V_{in}=0\text{dBFS}</math>)$

POWER

Power Supply	12V/3A (Locking)
Power Consumption	HDMI 2.0 / 4K@60, HDR10 / DisplayPort 1.4 HBR2

ENCLOSURE

Chassis Material	Metal (Steel)
Chassis Color	White
Certification	CE: EN 60601-1-2:2015(V4.0), EN 60601-1:2006/A1:2013/A12:2014 (V3.1) FCC: Part 18 Class A

Order information

- ACCEL-VM100-N1-A1-0001
4K UHD+ HDMI/DP/USB over Fiber Transmitter/Receiver
(10Gbit/s SFP+)

Medical PC & Monitor for Digital OR

ACCEL-VM200

AV over IP Master Controller



Features

- Enables the management and configuration of multiple compatible video over IP (VoIP) extender through a single WebGUI.
- WebGUI clearly displays the status of all connected Transmitters and Receivers, including IP address, channel selection, etc.
- Dual LAN ports enable control over VoIP installations that reside on a logically or physically separate network from the standard local network.
- Support Optional Trigger Control Keypad for easy, single-button, preset activation.

Specifications

INTERFACES

Output Port	1 x HDMI
Control I/O	1 x IR Extender (3.5mm)
	1 x RS-232 (3-pin Terminal Block)
	8 x Trigger (10-pin Terminal Block)
	1 x USB (Type-A)
	2 x LAN (RJ-45)
Reserved Port	1 x RS-232 (5-pin Terminal Block)

VIDEO

Maximum Output	HDMI
----------------	------

RESOLUTIONS

Maximum Output	1920 x 1080p@60
----------------	-----------------

POWER

Power Supply	5V/2.6A DC (Locking)
Power Consumption	2.99W

ENCLOSURE

Chassis Material	Metal (Steel)
Chassis Color	White
Dimensions (W×H×D)	231.5 × 25 × 108 mm (Case Only)
	231.5 × 25 × 117 mm (All Inclusive)
Weight	250g
Packing Size	280 × 180 × 71 mm
Certification	CE: EN 60601-1-2:2015(V4.0),
	EN 60601-1:2006/A1:2013/A12:2014 (V3.1)
	FCC: Part 18 Class A

Order information

- ACCEL-VM200-N1-A1-0001
AV over IP Master Controller

Medical PC & Monitor for Digital OR

ACCEL-VS100

HDMI/VGA Live Video Streamer with Recording



Features

- Audio embedding and mixing support with the analog stereo audio input
- Integrated support for live steaming to Facebook, Youtube or Twitch Channel
- On screen countdown timer and test overlay are supported
- Generate 4 simultaneous streams from the same video source for easy system integration at multiple bandwidth targets
- Control via front panel buttons WebGUI, Telnet, RS232 and IR

Specifications

INTERFACES

Input Port	1 x HDMI (Type-A) 1 x VGA (HD-15) 1 x Unbalanced Stereo (3.5mm)
Output Port	1 x HDMI (Type-A)
Pass-through Port	1 x LAN (RJ-45) 1 x RS-232 (DE-9) 1 x MicroSD slot
Service Port	1 x USB (Type-A)

VIDEO

HDMI Compliance	2.0
HDCP Compliance	2.2
Input Signal Types	4K@60 8bit YUV 4:4:4
Output Signal Type	4K@60 8bit YUV 4:4:4

RESOLUTIONS

Maximum Input	HDMI - 4096×2160p@60, 2560×1600p@60RB VGA - 1920×1200p@60RB
Maximum Output	HDMI - 4096×2160p@60, 2560×1600p@60RB H.264 Stream - 1080p@60

AUDIO

HDMI	Unbalanced Stereo, 2CH LPCM
------	-----------------------------

POWER

Power Supply	5V/2.6A
Power Consumption	9.57W (Full load)

ENCLOSURE

Chassis Material	Metal (Steel)
Chassis Color	White
Dimensions (W×H×D)	231.5 × 25 × 108 mm
Weight	668g
Packing Size	280 x 180 x 71 mm
Certification	CE: EN 60601-1-2:2015(V4.0), EN 60601-1:2006/A1:2013/A12:2014 (V3.1) FCC: Part 18 Class A

Order information

- ACCEL-VS100-N1-A1-0001
HDMI/VGA Live Video Streamer with Recording



SLIM MEDICAL ALL IN ONE PC

The Slim Medical Panel PC is designed to meet the requirements and still be cost effective. It is running an Intel Atom processor, and it included all necessary input slots within its ultra slim chassis. The flexibility of slim fanless all in one medical panel PC is perfect for hospital applications such as mobile nursing station, wall-mount diagnosis panel, pharmacy automation and hospital administration automation.



Key Features

- ◆ Green Operation
- ◆ Flexible Power Input
- ◆ High Speed Wireless Data Transmission
- ◆ Processing in Compact Size
- ◆ Small to large LCD Choices
- ◆ Quiet, Clean & Easy Maintenance

SMALL TO LARGE LCD CHOICES

Slim Medical Panel PC offers four LCD sizes to fulfill the requirements of various hospital applications. 10.1" (Resolution:1280x800), 11.6"(Resolution:1366x768), 15.6"(Resolution:1920x1080), 17"(Resolution:1280x1024)



QUIET, CLEAN & EASY TO MAINTAIN

Slim Medical Panel PCs utilize a large fanless heatsink on the back cover to efficiently dissipate heat generated from the processor and chipset. The Fanless cooling design keeps the environment quiet, clean and lowers maintenance efforts.



GREEN & COMPACT SIZE FOR OPERATION

Less than 50W power consumption keeps Slim Medical Panel PC operating and extends the battery life of mobile medical carts. With narrow edge and monitor like chassis, it is easy and space friendly to users.



DUAL ANTENNAS WITH BEST WLAN PERFORMANCE

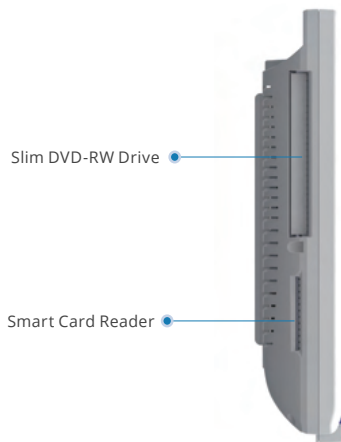
With two antennas built into the Slim Medical Panel PCs, massive medical records and PACS images can be transferred through IEEE 802.11ac/a/b/g/n wireless LAN up to 300Mbps/sec.



Slim Medical All in One PC

SMA-1733

17" Fanless Slim Medical All in One PC



Features

- Intel Celeron N6210 / Atom x6211E Dual Core Processor
- 17" High Brightness 350 nits SXGA LCD
- Supports DDR4 SODIMM up to 16GB (optional In-Band ECC support)
- 5-wire Resistive Touch Screen
- Trusted Platform Module / Smart Card Reader(optional) / RFID Reader(optional)
- 802.11ac Wireless LAN(optional)
- +12V DC input

Specifications

MAIN SPECIFICATIONS

Processor	Intel® Celeron N6210 2.6GHz / Atom x6211E 3.0GHz Dual Core Processor
System Memory	Supports DDR4 3200 SODIMM up to 16GB (In-Band ECC with Atom x6211E)
OS Support	Windows® 10, Windows® 11, Linux®
Expansion Interface	M.2 2230(E-key) x 1, Proprietary PCIe[x1] x 1
Storage Disk Drive	M.2 2242 SATA SSD x1
Security	Trusted Platform Module, Smart Card Reader(optional), RFID Reader(optional)
Function Key	Speaker Volume Up/Down, LCD Brightness Up/Down
Wireless Communication	802.11ac, Bluetooth 5.1(optional)
Speaker	3W x 2
Power Requirement	DC 12V

DISPLAY

Size	17" LCD
Resolution	1280 x 1024
Luminance	350 nits
View Angle	170°(H)/160°(V)
Contrast Ratio	1000:1
Back Light Life Time	> 30,000 hours
Touch Screen	5-wire Resistive

I/O

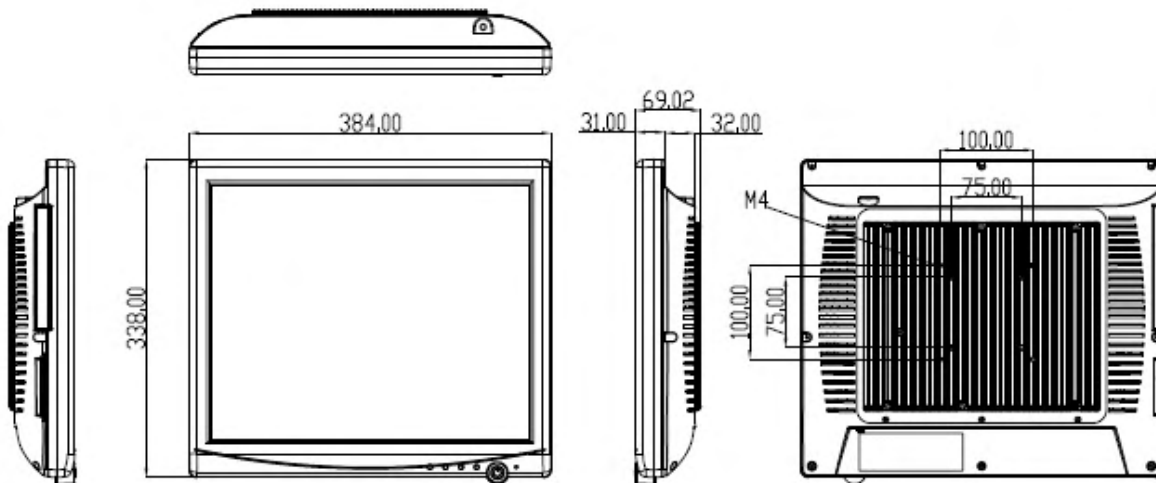
USB	USB 3.1 Gen 1 x4
Serial Port	RS-232 x 1
Ethernet	Gigabit LAN x2 (isolated x1 + non-isolated x1)
Video Out	HDMI 2.0b x 1

MECHANICAL AND ENVIRONMENTAL

Power Consumption	TBD
Operating Temperature	0°C ~ 40°C(32°F ~ 104°F)
Storage Temperature	-20°C ~ 60°C(-4°F ~ 140°F)
Mounting	VESA 75/100 mm
Degree of Protection	IP65 in the front, IPX1
Dimension	384 x 338 x 69 mm
Package Size	630 x 250 x 640 mm
Gross Weight	9kg (19.84 lb)
Net Weight	5.6kg (12.32lb)
Certifications	CE: EN 60601-1-2:2015(V4.0), EN 60601-1:2006/A1:2013(V3.1) FCC: Part 18 Class B UL: ANSI/AAMI ES60601-1:2012 (V3.1) cUL: CAN/CSA-C22.2 No. 60601-1:2014 (V3.1)

17" Fanless Slim Medical All in One PC

Dimension / Unit: mm



Ordering Information

- SMA-1733-P1-A1-0010
Slim Medial AIO, 17" LCD, Resistive Touch, Celeron N6210, DC 12V
- SMA-1733-P2-A1-0010
Slim Medial AIO, 17" LCD, Resistive Touch, Atom x6211E, DC 12V

Optional Accessories

- 125530060C
Medical Power Adapter, 60W, 12V
- OPM-T008-A1
Smart Card Reader Kit
- OPM-T007-A5
Slim Slot-in DVD-RW Drive
- OPM-C15W-A12
WLAN Kit, IEEE 802.11ac+ Bluetooth 5.1

Slim Medical All in One PC

SMA-1533

15.6" Fanless Slim Medical All in One PC



Features

- Intel® Celeron N6210 / Atom x6211E Dual Core Processor
- 15.6" High Brightness 300-nit Full HD LCD
- Supports DDR4 SODIMM up to 16GB (optional In-Band ECC support)
- Capacitive Multi-Touch Screen
- Proprietary PCI Express[x1] Interface
- Easy Cleaning Flat Screen
- 4 Programmable Smart Function Keys
- High Speed USB 3.1 Port
- 2.0M Pixels Camera with Mic (optional)
- HDMI 2.0b Port for 2nd Display
- RFID Reader (optional)
- +12V DC input / Power over Ethernet(optional)

Specifications

MAIN SPECIFICATIONS

Processor	Intel® Celeron N6210 2.6GHz / Atom x6211E 3.0GHz Dual Core Processor
System Memory	Supports DDR4 3200 SODIMM up to 16GB (In-Band ECC with Atom x6211E)
Expansion Interface	M.2 2230(E-key) x 1, Proprietary PCIe[x1] x 1
Storage Disk Drive	M.2 2242 SATA SSD x1
Security	RFID Reader (optional)
Wireless Communication	802.11ac/ax(optional) + Bluetooth 5.1/5.3(optional)
Speaker	3W x 2
Function Key	LCD Brightness Up/Down, Touch Screen On/Off
Power Requirement	DC 12V / Power over Ethernet(optional)
OS Support	Windows 10, Windows 11 , Linux

DISPLAY

Size / Type	15.6" LCD
Max. Resolution	1920 x 1080
Luminance(cd/m2)(TYP)	300 nits
Max. Colors	16.2 M
Viewing Angle	178°(H)/178°(V)
Contrast Ratio	1000:1
Back Light Life Time	> 30,000 hours
Touch Screen	Capacitive Multi-Touch

I/O

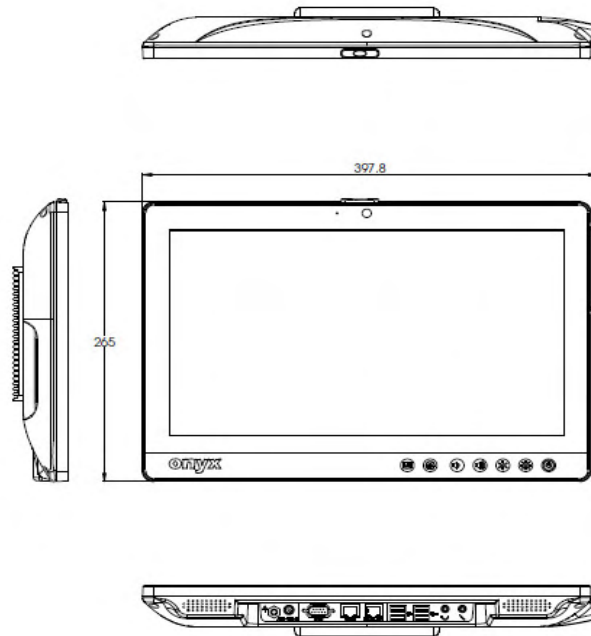
USB	USB 3.1 Gen 1 x4
Serial Port	RS-232 x 1
Ethernet	Gigabit LAN x2 (isolated x1 + non-isolated x1)
Video Out	HDMI 2.0b x 1

MECHANICAL AND ENVIRONMENTAL

Power Consumption	TBD
Operating Temperature	0°C ~ 40°C(32°F ~ 104°F)
Storage Temperature	-20°C ~ 60°C(-4°F ~ 140°F)
Mounting	VESA 75/100 mm
Degree of Protection	IP65 in the front, IPX1
Dimension	398 x 265 x 47mm
Package Size	721 x 224 x 464mm
Gross Weight	6.5 kg (14.33lb)
Net Weight	2.8 kg (6.2lb)
Certifications	CE: EN 60601-1-2:2015(V4.0), EN 60601-1:2006/A1:2013(V3.1) FCC: Part 18 Class B UL: ANSI/AAMI ES60601-1:2012 (V3.1) CUL: CAN/CSA-C22.2 No. 60601-1:2014 (V3.1)

15.6" Fanless Slim Medical All in One PC

Dimension / Unit: mm



Ordering Information

- SMA-1533-P1-A1-0010
Slim Medial AIO, 15.6" FHD LCD, Capacitive Touch, Celeron N6210, DC 12V
- SMA-1533-P2-A1-0010
Slim Medial AIO, 15.6" FHD LCD, Capacitive Touch, Atom x6211E, DC 12V

Optional Accessories

- 125530060C
Medical Power Adapter, 60W, 12V
- OPM-T011-A1
2M Pixels Camera with Mic Kit
- OPM-C15W-A5
WLAN Kit, IEEE 802.11ac + Bluetooth 5.1

Slim Medical All in One PC

SMA-1233

11.6" Fanless Slim Medical All in One PC



Features

- Intel® Celeron N6210 / Atom x6211E Dual Core Processor
- 11.6" 250-nit WXGA /300-nit FHD LCD
- Supports DDR4 SODIMM up to 16GB (optional In-Band ECC support)
- Capacitive Multi-Touch Screen
- Proprietary PCI Express[x1] Interface
- Easy Cleaning Flat Screen
- 4 Programmable Smart Function Keys
- High Speed USB 3.1 Port
- 2.0M Pixels Camera with Mic (optional)
- HDMI 2.0b Port for 2nd Display
- RFID Reader (optional)
- +12V DC input / Power over Ethernet(optional)

Specifications

MAIN SPECIFICATIONS

Processor	Intel® Celeron N6210 2.6GHz / Atom x6211E 3.0GHz Dual Core Processor
System Memory	Supports DDR4 3200 SODIMM up to 16GB (In-Band ECC with Atom x6211E)
Expansion Interface	M.2 2230(E-key) x 1, Proprietary PCIe[x1] x 1
Storage Disk Drive	M.2 2242 SATA SSD x1
Security	RFID Reader (optional)
Wireless Communication	802.11ac/ax(optional) + Bluetooth 5.1/5.3(optional)
Speaker	2W x 2
Function Key	LCD Brightness Up/Down, Touch Screen On/Off
Power Requirement	DC 12V / Power over Ethernet(optional)
OS Support	Windows 10, Windows 11 , Linux

DISPLAY

Size / Type	11.6" LCD
Max. Resolution	1366 x 768 / 1920 x 1080
Luminance(cd/m2)(TYP)	250 nits / 400 nits
Max. Colors	16.7 M
Viewing Angle	90(H)/60(V) / 178(H)/178(V)
Contrast Ratio	500:1 / 800:1
Back Light Life Time	> 15,000 hours
Touch Screen	Capacitive Multi-Touch

I/O

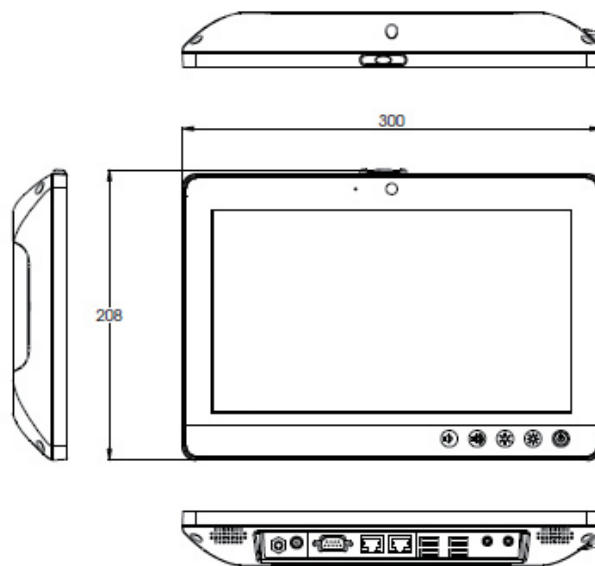
USB	USB 3.1 Gen 1 x4
Serial Port	RS-232 x 1
Ethernet	Gigabit LAN x2 (isolated x1 + non-isolated x1)
Video Out	HDMI 2.0b x 1

MECHANICAL AND ENVIRONMENTAL

Power Consumption	TBD
Operating Temperature	0°C ~ 40°C(32°F ~ 104°F)
Storage Temperature	-20°C ~ 60°C(-4°F ~ 140°F)
Mounting	VESA 75/100 mm
Degree of Protection	IP65 in the front, IPX1
Dimension	300 x 208 x 47 mm
Package Size	540 x 230 x 370 mm
Gross Weight	4kg (8.82lb)
Net Weight	1.5kg (3.3lb)
Certifications	CE: EN 60601-1-2:2015(V4.0), EN 60601-1:2006/A1:2013(V3.1) FCC: Part 18 Class B UL: ANSI/AAMI ES60601-1:2012 (V3.1) cUL: CAN/CSA-C22.2 No. 60601-1:2014 (V3.1)

11.6" Fanless Slim Medical All in One PC

Dimension / Unit: mm



Ordering Information

- SMA-1233-P1-A1-0010
Slim Medial AIO, 11.6" WXGA LCD, Capacitive Touch, Celeron N6210, DC 12V
- SMA-1233-P1-A2-0010
Slim Medial AIO, 11.6" FHD LCD, Capacitive Touch, Celeron N6210, DC 12V
- SMA-1233-P2-A1-0010
Slim Medial AIO, 11.6" WXGA LCD, Capacitive Touch, Atom x6211E, DC 12V
- SMA-1233-P2-A2-0010
Slim Medial AIO, 11.6" FHD LCD, Capacitive Touch, Atom x6211E, DC 12V

»

Optional Accessories

- 125530060C
Medical Power Adapter, 60W, 12V
- OPM-T011-A1
2M Pixels Camera with Mic Kit
- OPM-C15W-A4
WLAN Kit, IEEE 802.11ac + Bluetooth 5.1

Slim Medical All in One PC

SMA-1033

10.1" Fanless Slim Medical All in One PC



Features

- Intel® Celeron N6210 / Atom x6211E Dual Core Processor
- 10.1" 1280x800 LCD
- Supports DDR4 SODIMM up to 16GB (optional In-Band ECC support)
- Capacitive Multi-Touch Screen
- Proprietary PCI Express[x1] Interface
- Easy Cleaning Flat Screen
- 4 Programmable Smart Function Keys
- High Speed USB 3.1 Port
- 2.0M Pixels Camera with Mic (optional)
- HDMI 2.0b Port for 2nd Display
- RFID Reader (optional)
- +12V DC input

Specifications

MAIN SPECIFICATIONS

Processor	Intel® Celeron N6210 2.6GHz / Atom x6211E 3.0GHz Dual Core Processor
System Memory	Supports DDR4 3200 SODIMM up to 16GB (In-Band ECC with Atom x6211E)
Expansion Interface	M.2 2230(E-key) x 1, Proprietary PCIe[x1] x 1
Storage Disk Drive	M.2 2242 SATA SSD x1
Security	RFID Reader (optional)
Wireless Communication	802.11ac/ax(optional) + Bluetooth 5.1/5.3(optional)
Speaker	2W x 2
Function Key	LCD Brightness Up/Down, Touch Screen On/Off
Power Requirement	DC 12V
OS Support	Windows 10, Windows 11 , Linux

DISPLAY

Size / Type	10.1" LCD
Max. Resolution	1280 x 800
Luminance(cd/m2)(TYP)	400 nits
Viewing Angle	178°(H)/178°(V)
Contrast Ratio	800:1
Back Light Life Time	30,000 hours
Touch Screen	Capacitive Multi-Touch

I/O

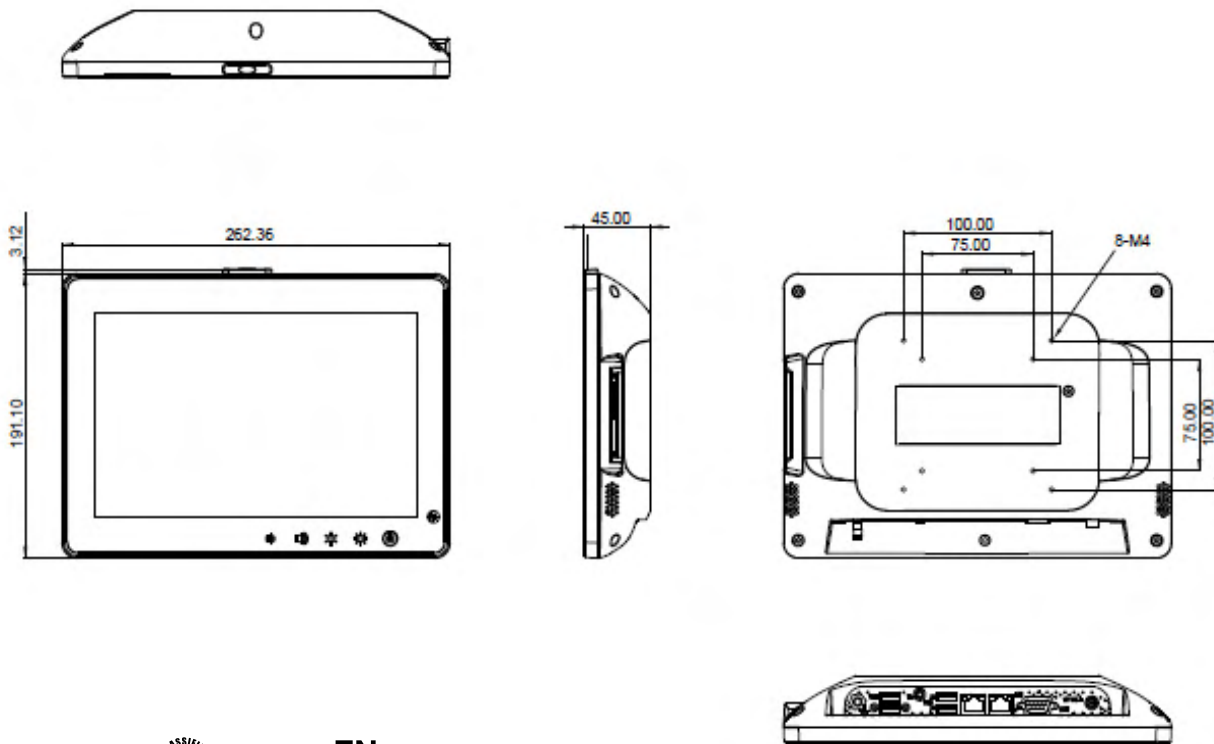
USB	USB 3.1 Gen 1 x4
Serial Port	RS-232 x 1
Ethernet	Gigabit LAN x2 (isolated x1 + non-isolated x1)
Video Out	HDMI 2.0b x 1

MECHANICAL AND ENVIRONMENTAL

Power Consumption	TBD
Operating Temperature	0°C ~ 40°C(32°F ~ 104°F)
Storage Temperature	-20°C ~ 60°C(-4°F ~ 140°F)
Mounting	VESA 75/100 mm
Degree of Protection	IP65 in the front, IPX1
Dimension	262 x 191 x 45 mm
Package Size	402 x 190 x 335 mm
Gross Weight	3.7kg (8.2lb)
Net Weight	1.2kg (2.6lb)

10.1" Fanless Slim Medical All in One PC

Dimension / Unit: mm



Ordering Information

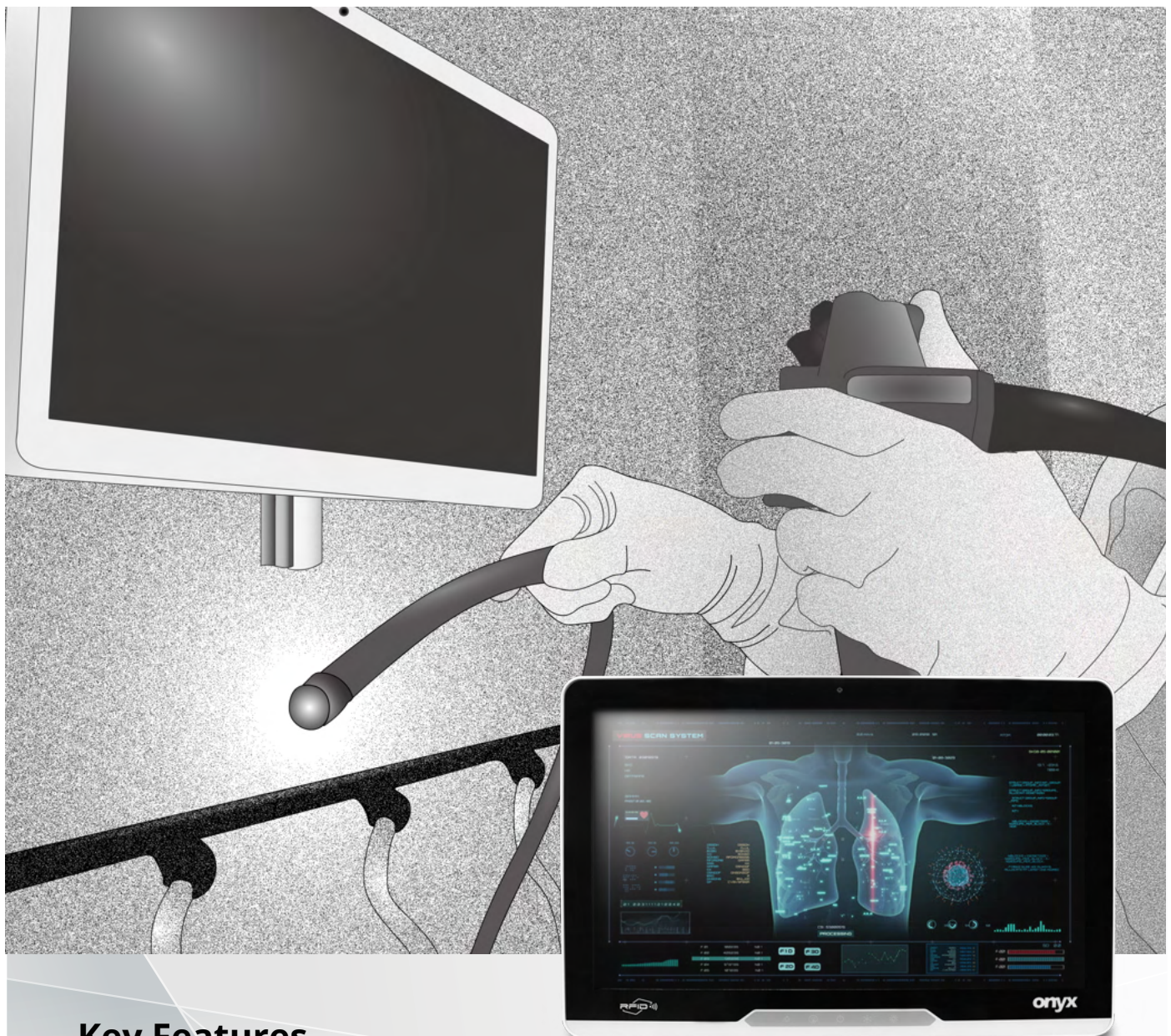
- SMA-1033-P1-A1-0010
Slim Medial AIO, 10.1" LCD, Capacitive Touch, Celeron N6210, DC 12V
- SMA-1033-P2-A1-0010
Slim Medial AIO, 10.1" LCD, Capacitive Touch, Atom x6211E, DC 12V

Optional Accessories

- 125530060C
Medical Power Adapter, 60W, 12V
- OPM-C15W-A4
WLAN Kit, IEEE 802.11a/b/g/n + Bluetooth 4.0
- OPM-T010-A2
Smart Card Reader Kit
- OPM-T011-A2
2M Pixels Camera with Mic Kit

POWERFUL MEDICAL ALL IN ONE PC

Medical AIO is a highly cost effective solution. Intel Core i7 processor, up to 64GB DDR4 and capacitive multi-touch screen enhance the efficiency of hospital applications. Fanless design keeps environment quiet and reduces the effort in cleaning. With one PCI Express[x1] or [x4]slot, any standard PCI Express[x1] or [x4] card such as isolated RS-232 card and video capture card can be installed to enhance functionality



Key Features

- ◆ 19"/22"/24"LCD with capacitive multi-touch
- ◆ Trusted Platform Module , RFID Reader and Smart Card Reader for Security Enhancement
- ◆ One PCI Express Slot
- ◆ +12V DC / 100~240V AC input
- ◆ Fanless Design for Quiet and Easy Maintenance
- ◆ Reading Light

INTEL® CORE PLATFORM FOR CRITICAL APPLICATIONS

Medical AIO offer ultra high performance Intel® Core processor.



SUPER 3.0 FOR USB, SATA AND PCI-E

Still looking for a faster solution to upload or download medical records?! Zeus comes with latest high speed I/O design (USB3.0, SATA3.0, PCI-E3.0). Super 3.0 gives ten times data rate than before.



TRIPLE ISOLATION PROTECTION TO PATIENT

Medical isolation rating is 4kV rms (IEC 60601-1), which is crucial to protect patients, operators and medical equipment from harmful surges or spikes in the electrical signal. Medical AIO offers optional COM port, USB port isolation. We set the highest standard for patient and medical uses.



QUIET, CLEAN & EASY TO MAINTAIN

Slim Medical Panel PCs utilize a large fanless heatsink on the back cover to efficiently dissipate heat generated from the processor and chipset. The Fanless cooling design keeps the environment quiet, clean and lowers maintenance efforts.



DUAL ANTENNAS WITH BEST WLAN PERFORMANCE

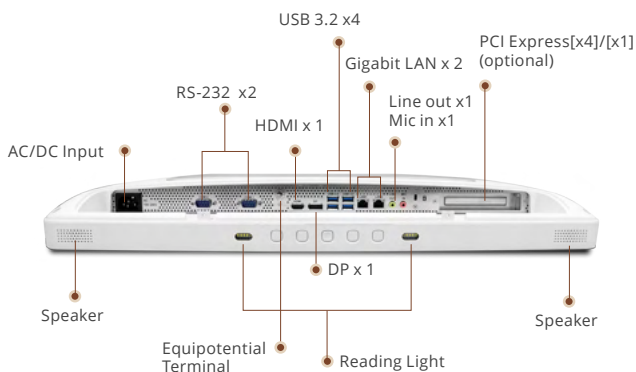
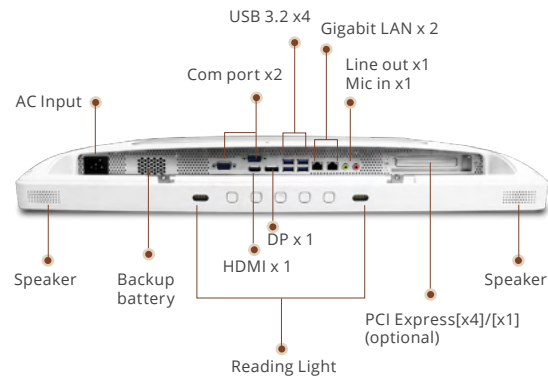
With two antennas built into the Slim Medical Panel PCs, massive medical records and PACS images can be transferred through IEEE 802.11ac/a/b/g/n wireless LAN up to 1.73G bps/sec.



Powerful Medical All in One PC

MATE2-2410

24" Fanless 9th Generation Core i7 Powerful Medical All in One PC



Features

- Intel® 9th Generation Core™ i7/ i5 Processor
- Supports Dual Channel DDR4 2666 SODIMM up to 64GB
- 24" Full HD High Contrast LCD
- Capacitive Multi-Touch Screen
- Two Gigabit Ethernet
- High Speed USB 3.2 Gen1 Ports
- RS-232 x 2
- 8MP Camera with Mic (optional)
- PCI-Express [x4] / [x1] (optional)
- 25Wh Backup Battery (optional)
- Imprivata RFID Reader (optional)
- Reading Light

Specifications

MAIN SPECIFICATIONS

Processor	Intel® 9th Generation Core i7-9700TE 8 Cores 3.8GHz Intel® 9th Generation Core i5-9500TE 6 Cores 3.6GHz
System Memory	Supports Dual Channel DDR4 2666 SODIMM up to 64GB
Chipset	Intel® H310
OS Support	Windows® 10, Windows® 11, Linux®
Storage Disk Drive	M.2 2242 SATA SSD x 1 2.5" SATA Hard Disk Drive/SSD x 1 (optional)
Security	Trusted Platform Module 2.0 , Imprivata RFID Reader (optional)
Wireless Communication	802.11 ac(optional), 802.11 ax (optional), Bluetooth 5 (optional)
Speaker	2W x 2
Function Key	LCD Brightness Up/Down, Touch Screen On/Off, Reading Light On/Off
Power Requirement	AC 100~240V / DC 12V / 24V

DISPLAY

Size	24" LCD
Resolution	1920 x 1080
Luminance	250 nits
View Angle	178°(H)/178°(V)
Contrast Ratio	3000:1
Back Light Life Time	30,000 Hours
Touch Screen	Capacitive Multi-Touch

I/O

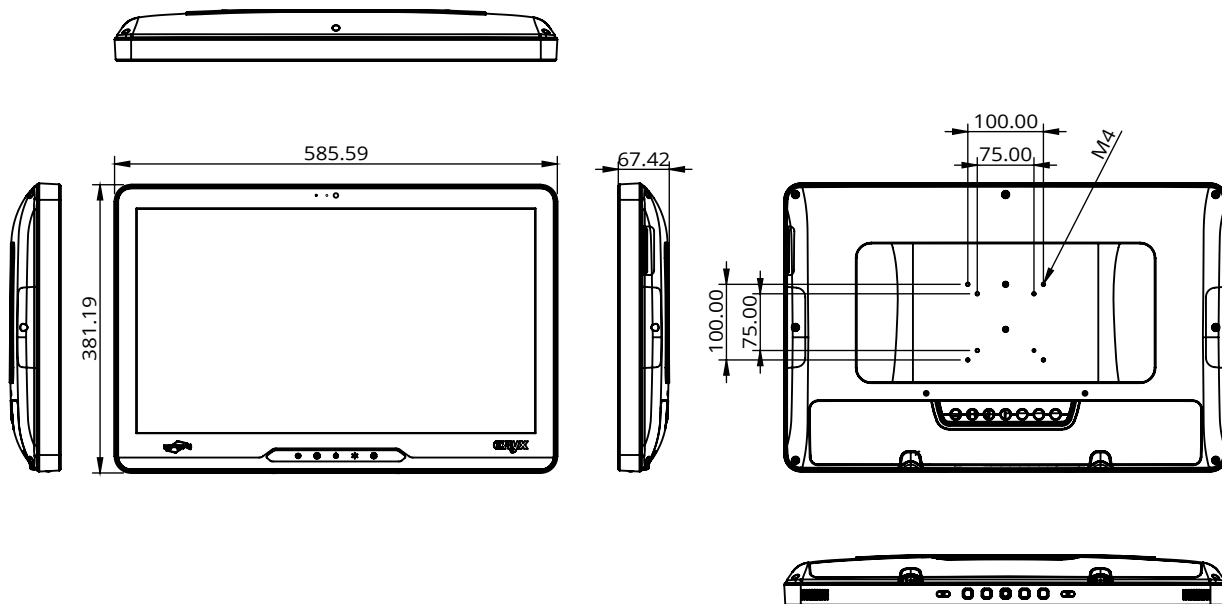
USB	USB 3.2 Gen 1 x 4 , Isolated USB 2.0 Full Speed x4 (optional)
Serial Port	RS-232 x 2
Ethernet	1.5KV Isolated Gigabit LAN x 2
Video Out	Display Port 1.2 x1, HDMI 1.4b x 1 (Supports resolution up to 3840 x 2160)
Audio	Mic-in, Line-out

MECHANICAL AND ENVIRONMENTAL

Operating Temperature	0°C ~ 35°C(32°F ~ 95°F)
Storage Temperature	-20°C ~ 60°C(-4°F ~ 140°F)
Mounting VESA	75/100 mm
Degree of Protection	IP65 in the front ; IP54 in the back
Dimension	586 x 381 x 67mm
Package Size	755 x 195 x 528mm
Gross Weight	14 kg (30.86 lb)
Net Weight	8.7 kg(19.2 lb)
Certifications	CE: EN 60601-1-2:2015(V4.0), EN 60601-1:2006/A1:2013(V3.1) FCC: Part 18 Class B UL: ANSI/AAMI ES60601-1:2012 (V3.1) cUL: CAN/CSA-C22.2 No. 60601-1:2014 (V3.1)

24" Fanless 9th Generation Core i7 Powerful Medical All in One PC

Dimension / Unit: mm



Ordering Information

- **MATE2-2410-P1-A1/B1-0010**
Medical Panel PC, 24" LCD, Capacitive Touch, i7-9700TE, AC 100~240V / DC 12V
- **MATE2-2410-P2-A1/B1-0010**
Medical Panel PC, 24" LCD, Capacitive Touch, i5-9500TE, AC 100~240V / DC 12V
- **MATE2-2410-P1-A2/B2-0010**
Medical Panel PC, 24" LCD, Capacitive Touch, i7-9700TE, Backup Battery, AC 100~240V / DC 12V
- **MATE2-2410-P2-A2/B2-0010**
Medical Panel PC, 24" LCD, Capacitive Touch, i5-9500TE, Backup Battery, AC 100~240V / DC 12V
- **MATE2-2410-P1-A3/B3-0010**
Medical Panel PC, 24" LCD, Capacitive Touch, i7-9700TE, RFID Reader, AC 100~240V / DC 12V
- **MATE2-2410-P2-A3/B3-0010**
Medical Panel PC, 24" LCD, Capacitive Touch, i5-9500TE, RFID Reader, AC 100~240V / DC 12V
- **MATE2-2410-P1-A4/B4-0010**
Medical Panel PC, 24" LCD, Capacitive Touch, i7-9700TE, RFID Reader, Backup Battery, AC 100~240V / DC 24V
- **MATE2-2410-P2-A4/B4-0010**
Medical Panel PC, 24" LCD, Capacitive Touch, i5-9500TE, RFID Reader, Backup Battery, AC 100~240V / DC 24V

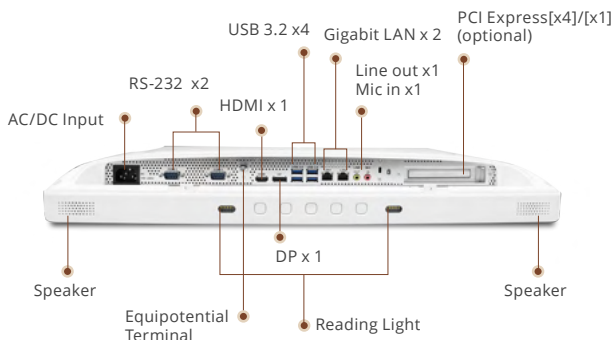
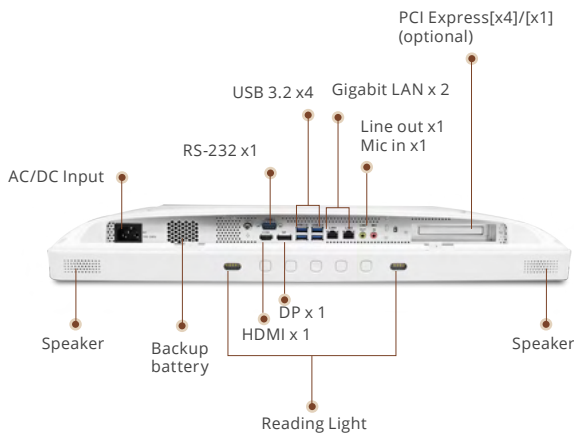
Optional Accessories

- **OPM-R03X-A1**
PCI Express[x1] Riser Kit
- **OPM-R04X-A1**
PCI Express[x4] Riser Kit
- **OPM-C15W-A6**
WLAN Kit, IEEE 802.11ac + Bluetooth 5.1
- **OPM-C18W-A2**
WLAN Kit, IEEE 802.11ax + Bluetooth 5.2
- **OPM-V06C-A1**
8M Pixels Camera with Mic
- **OPM-T038-A1**
2.5" SSD/HDD Kit
- **OPM-C02C-A1**
Two Isolated RS-232 & One Isolated USB 2.0 Full Speed PCIe Card
- **OPM-C02C-A2**
Two Isolated RS-232 PCIe Card
- **OPM-C07U-A3/A4**
Four Isolated USB 2.0 Full Speed Kit

Powerful Medical All in One PC

MATE2-2210

22" Fanless 9th Generation Core i7 Powerful Medical All in One PC



Features

- Intel® 9th Generation Core™ i7/ i5 Processor
- Supports Dual Channel DDR4 2666 SODIMM up to 64GB
- 22" Full HD High Contrast LCD
- Capacitive Multi-Touch Screen
- Two Gigabit Ethernet
- High Speed USB 3.2 Gen1 Ports
- RS-232 x 2
- 8MP Camera with Mic (optional)
- PCI Express [x4] / [x1] x1 (optional)
- 25Wh Backup Battery (optional)
- Imprivata RFID Reader (optional)
- Reading Light

Specifications

MAIN SPECIFICATIONS

Processor	Intel® 9th Generation Core i7-9700TE 8 Cores 3.8GHz Intel® 9th Generation Core i5-9500TE 6 Cores 3.6GHz
System Memory	Supports Dual Channel DDR4 2666 SODIMM up to 64GB
Expansion Interface	PCI Express[x4]/[x1] x1 (optional)
OS Support	Windows® 10, Windows® 11, Linux®
Storage Disk Drive	M.2 2242 SATA SSD x 1 2.5" SATA Hard Disk Drive/SSD x 1 (optional)
Security	Trusted Platform Module 2.0 , Imprivata RFID Reader (optional)
Wireless Communication	802.11 ac, 802.11 ax (optional), Bluetooth 5 (optional)
Speaker	2W x 2
Function Key	LCD Brightness Up/Down, Touch Screen On/Off, Reading Light On/Off
Power Requirement	AC 100~240V / DC 12V/24V

DISPLAY

Size	22" LCD
Resolution	1920 x 1080
Luminance	250 nits
View Angle	178°(H)/178°(V)
Contrast Ratio	1000:1
Back Light Life Time	50,000 Hours
Touch Screen	Capacitive Multi-Touch

I/O

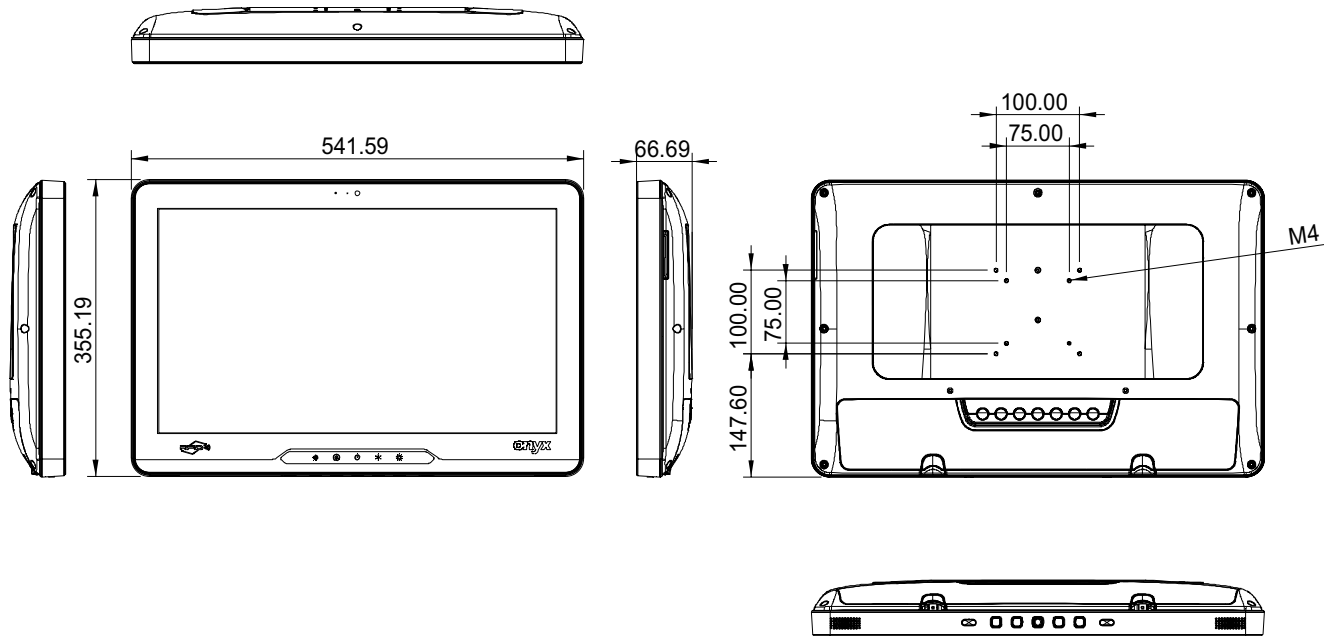
USB	USB 3.2 Gen 1 x 4 Isolated USB 2.0 Full Speed x4 (optional)
Serial Port	RS-232 x 2 or x1 (When backup battery is installed)
Ethernet	1.5KV Isolated Gigabit LAN x 2
Video Out	Display Port 1.2 x1, HDMI 1.4b x 1 (Supports resolution up to 3840 x 2160)
Audio	Mic-in, Line-out

MECHANICAL AND ENVIRONMENTAL

Operating Temperature	0°C ~ 35°C(32°F ~ 95°F)
Storage Temperature	-20°C ~ 60°C(-4°F ~ 140°F)
Mounting VESA	75/100 mm
Degree of Protection	IP65 in the front ; IP54 in the back
Dimension	542 x 355 x 67mm
Package Size	711 x 195 x 503mm
Gross Weight	11 kg (24.25 lb)
Net Weight	7.5 kg(16.5 lb)
Certifications	CE: EN 60601-1-2:2015(V4.0), EN 60601-1:2006/A1:2013(V3.1) FCC: Part 18 Class B UL: ANSI/AAMI ES60601-1:2012 (V3.1) cUL: CAN/CSA-C22.2 No. 60601-1:2014 (V3.1)

22" Fanless 9th Generation Core i7 Powerful Medical All in One PC

Dimension / Unit: mm



Ordering Information

- MATE2-2210-P1-A1/B1-0010
Medical Panel PC, 22" LCD, Capacitive Touch, i7-9700TE, AC 100~240V / DC 12V
- MATE2-2210-P2-A1/B1-0010
Medical Panel PC, 22" LCD, Capacitive Touch, i5-9500TE, AC 100~240V / DC 12V
- MATE2-2210-P1-A2/B2-0010
Medical Panel PC, 22" LCD, Capacitive Touch, i7-9700TE, Backup Battery, AC 100~240V / DC 24V
- MATE2-2210-P2-A2/B2-0010
Medical Panel PC, 22" LCD, Capacitive Touch, i5-9500TE, Backup Battery, AC 100~240V / DC 24V
- MATE2-2210-P1-A3/B3-0010
Medical Panel PC, 22" LCD, Capacitive Touch, i7-9700TE, RFID Reader, AC 100~240V / DC 12V
- MATE2-2210-P2-A3/B3-0010
Medical Panel PC, 22" LCD, Capacitive Touch, i5-9500TE, RFID Reader, AC 100~240V / DC 12V
- MATE2-2210-P1-A4/B4-0010
Medical Panel PC, 22" LCD, Capacitive Touch, i7-9700TE, RFID Reader, Backup Battery, AC 100~240V / DC 24V
- MATE2-2210-P2-A4/B4-0010
Medical Panel PC, 22" LCD, Capacitive Touch, i5-9500TE, RFID Reader, Backup Battery, AC 100~240V / DC 24V

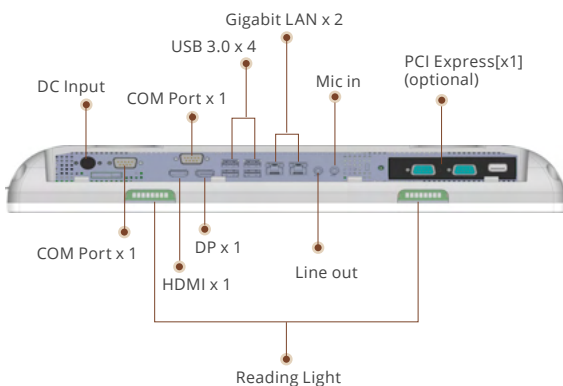
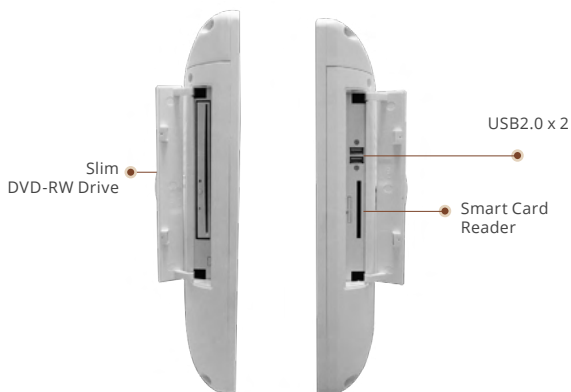
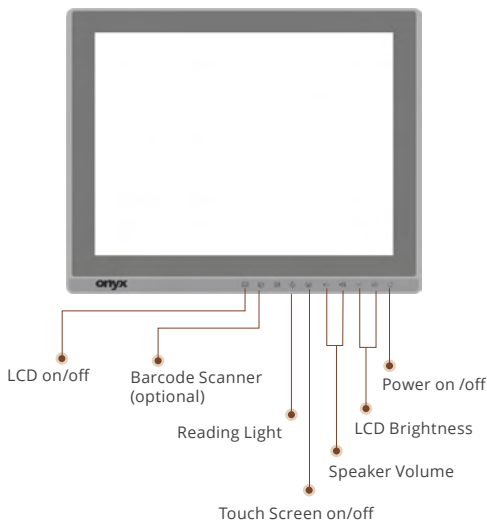
Optional Accessories

- OPM-R03X-A1
PCI Express[x1] Riser Kit
- OPM-R04X-A1
PCI Express[x4] Riser Kit
- OPM-C15W-A6
WLAN Kit, IEEE 802.11ac + Bluetooth 5.1
- OPM-C18W-A2
WLAN Kit, IEEE 802.11ax + Bluetooth 5.2
- OPM-V06C-A1
8M Pixels Camera with Mic
- OPM-T038-A1
2.5" SSD/HDD Kit
- OPM-C02C-A1
Two Isolated RS-232 & One Isolated USB 2.0 Full Speed PCIe Card
- OPM-C02C-A2
Two Isolated RS-232 PCIe Card
- OPM-C07U-A1/A2
Four Isolated USB 2.0 Full Speed Kit

Powerful Medical All in One PC

MATE-1903

19" Fanless 6th Generation Core i7 Powerful Medical All in One PC



Features

- Intel® 6th Generation Core™ i7/ i5 / i3 Processor
- Intel® H110 Chipset
- Supports Dual Channel DDR4 2133 SODIMM up to 32GB
- 19" SXGA LCD with LED Backlight
- Capacitive Multi-Touch Screen
- Two Gigabit Ethernet
- High Speed USB 3.0 Ports
- RS-232 x 2
- PCI-Express x [1] x 1 (optional)
- 25Wh Backup Battery (optional)

Specifications

MAIN SPECIFICATIONS

Processor	Intel® 6th Generation Core i7 / i5 / i3 Processor
System Memory	Supports Dual Channel DDR4 2133 SODIMM up to 32GB
Chipset	Intel® H110
OS Support	Windows® 7, Windows® 10, Linux®
Storage Disk Drive	2.5" SATA Hard Disk Drive/SSD x 1 Slim DVD-RW Drive x 1 (optional)
Security	Trusted Platform Module, RFID Reader (optional) Smart Card Reader x 1 (optional)
Wireless Communication	802.11ac, Bluetooth 5.1 (optional)
Speaker	5W x 2
Function Key	Speaker Volume Up/Down, LCD Brightness Up/Down LCD On/Off, Touch Screen On/Off, Reading Light On/Off
Power Requirement	DC 12V / DC 24V when backup battery is installed

DISPLAY

Size / Type	19" TN LCD
Max. Resolution	1280 x 1024
Luminance(cd/m2)(TYP)	250 nits
Viewing Angle	170°(H)/160°(V)
Contrast Ratio	1000:1
Back Light Life Time	30,000 Hours
Touch Screen	Capacitive Multi-Touch Screen

I/O

USB	USB 3.0 x 4, USB 2.0 x 2
Serial Port	RS-232 x 2
Ethernet	1.5KV Isolated Gigabit LAN x 2
Video Out	Display Port 1.2 x1, HDMI 1.4 x 1 (Supports resolution up to 3840 x 2160)
Audio	Mic-in, Line-out

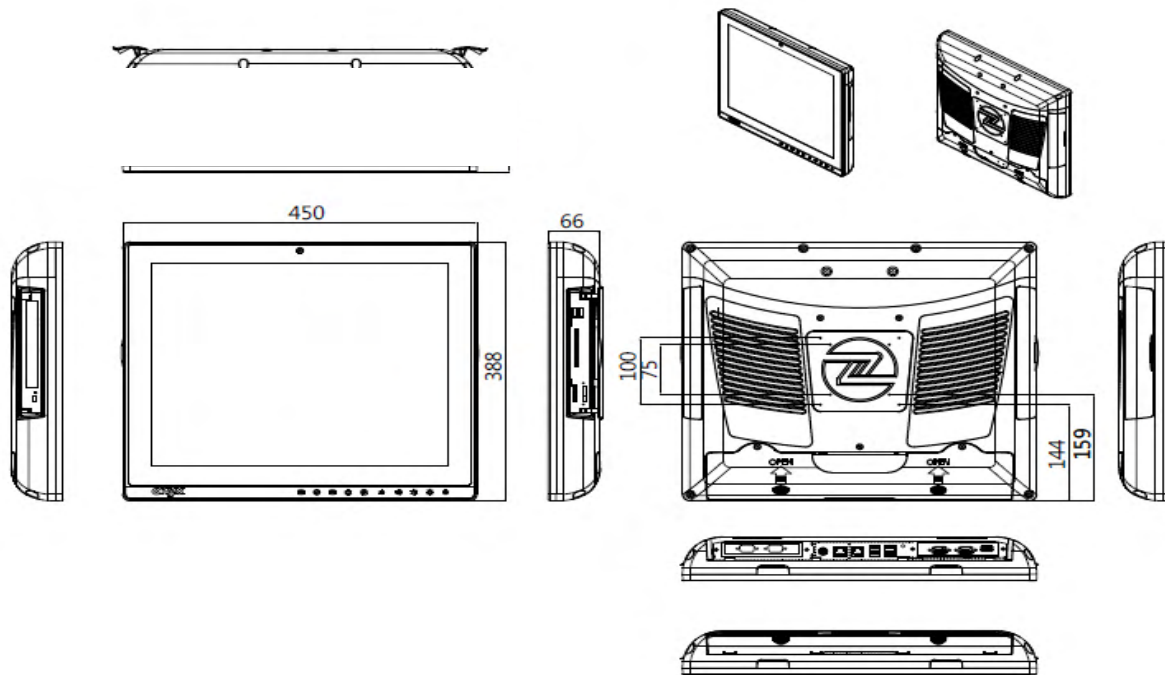
Mechanical and Environmental

Operating Temperature	0°C ~ 35°C(32°F ~ 95°F)
Storage Temperature	-20°C ~ 60°C(-4°F ~ 140°F)
Mounting VESA	75/100 mm
Degree of Protection	IP65 in the front ; IP54 in the back
Dimension	450 x 388 x 66 mm
Package Size	640 x 220 x 520mm
Gross Weight	11 kg (24.25 lb)
Net Weight	7.5kg (16.53lb)

Certifications	CE: EN 60601-1-2:2015(V4.0), EN 60601-1:2006/A1:2013(V3.1)
	FCC: Part 18 Class B
	UL: ANSI/AAMI ES60601-1:2012 (V3.1)
	cUL: CAN/CSA-C22.2 No. 60601-1:2014 (V3.1)

19" Fanless 6th Generation Core i7 Powerful Medical All in One PC

Dimension / Unit: mm



Ordering Information

- MATE-1903ST-A11-1010
Medical Panel PC, 19" LCD, i7, DC 12V, Capacitive Touch
- MATE-1903ST-A12-1010
Medical Panel PC, 19" LCD, i5, DC 12V, Capacitive Touch

Optional Accessories

- 1255301204
Medical Power Adapter, 120W, 12V
- 1255301206
Medical Power Adapter, 120W, 24V
- OPM-T006-A2
Smart Card Reader Kit
- OPM-T013-A2
Slim Slot-in DVD-RW Drive
- OPM-C15W-A2
WLAN Kit, IEEE 802.11ac + Bluetooth 5.1
- OPM-R03X-A1
PCI Express[x1] Riser Kit
- OPM-S07R-A1
RFID Reader Kit
- OPM-C02C-A1
Two Isolated RS-232 & One Isolated USB 2.0 PCIe Card
- OPM-C02C-A2
Two Isolated RS-232 PCIe Card
- OPM-T017-A4
Hot Swap Rack w/Lock Kit for 2.5" HDD/SSD
- OPM-P09C-A4
25Wh Backup Battery

MEDICA DISPLAY FOR MEDICAL DEVICE

Worldwide Medical Safety Standard Approval

All display meets the strictest medical, safety and EMC emissions standards including CE/FCC Class B Passed 18, EN 60601-1:2006

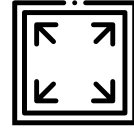


Key Features

- ◆ 15"~32" Medical Grade Display
- ◆ Touch function support
- ◆ Low power consumption with LED back light panel

SMALL TO LARGE LCD DISPLAY CHOICES

The Onyx slim display offers many LCD sizes to fulfill various requirements. 15" (1024 x768), 15.6" (1920x1080), 21.5" (1920x1080), 23.8" (1920x1080), 27" (1920 X 1080)



FRABJOUS TOUCH EXPERIENCE

PCT multi-touch touchscreen solution can also be operated with gloved fingers and bare fingers alike.



GREEN AND LOW POWER CONSUMPTION

LED(light emitting diodes) backlighting technology, which offer the advantages over CCFL LCDs of reduced power consumption, better contrast, brightness and color range.



LONG TERM PRODUCT LIFE TIME SUPPORT

ONYX provides stable and long term support to our customers. Customers could focus on business promotion and product development.



FLEXIBILITY FOR CUSTOMIZATION REQUEST TO MEDICAL EQUIPMENT

Still couldn't find the perfect match to your request? Don't worry about it. ONYX could base your demand to provide the best solution.



Medica Display for Medical Device

MEDDP-632

32" 4K-UHD Medical LCD Monitor



Features

- 32" Display with UHD 4K (3840 x 2160) native resolution
- Thin and compact design with impact resistant screen
- Fanless and ventless design, easy-to-clean
- Wide view angle 178°(H)/178°(V)
- True Flat Screen with PCT Touch
- Physical button OSD Design

Specifications

DISPLAY

Size	32"
Resolution	3840x2160 pixels
Max. Colors	1.07B Colors
Brightness (Typ.)	350 nits
Viewing Angle (CR=10)(Typ.)	178°(H)/178°(V)
Contrast Ratio (Typ.)	1000:1
Touch Screen	Projected Capacitive Multi Touch Screen

SYSTEM

OS Support	Windows® 7, Windows® 10
------------	-------------------------

I/O

Input Signal	Audio-in x 1, Dual DVI x 1, DP 1.2 x 1, VGA x 1, 3G SDI x 1, HDMI 1.4 x 1, HDMI 2.0 x 1
Output Signal	DP 1.2 x 1 (Multi-Stream Transport), 3G SDI x 1 (Loop Through, support 1080P), Audio Out x 1, 5V/ 1A out x x
USB Port	USB 2.0 x 1
Serial Port	RS-232 x 1
GPIO	RJ-11 x 1
Speaker	Built in 5W speaker x 2

MECHANICAL AND ENVIRONMENTAL

Power Consumption	55 W typical
Operating Temperature	0°C to 35°C
Storage Temperature	-20°C to 60 °C
Storage Humidity	10% to 90% RH, noncondensing
VESA	100mm x 200mm and 200mm x 200mm
IP Rating	Front IP65
Power Requirement	External power adapter, AC IN: 100 ~ 240V, 24V
Dimension	799 x 478 x 63.7 mm
Package Size	980x260x700mm
Gross Weight	13.2 Kg
Net Weight	11.6 Kg
Certifications	CE: EN 60601-1-2:2015(V4.0), EN 60601-1:2006/A1:2013/A12:2014 (V3.1) FCC: Part 18 Class B

Ordering Information

- MEDDP-632-P1-A1-0010
32" 4K UHD.350nits LCD Monitor.3G SDIx1,VGAx1,HDMIx2,DVix1,DPx1.P-CAP,Med Adapter, Power cord

Medica Display for Medical Device

MEDDP-632F

32" Full-UHD Medical LCD Monitor



Features

- 32" Display with Full HD (1920 x 1080) native resolution
- Thin and compact design with impact resistant screen
- Fanless and ventless design, easy-to-clean
- Wide view angle 178°(H)/178°(V)
- True Flat Screen with PCT Touch
- Physical bottom OSD Design

Specifications

DISPLAY

Size	32"
Resolution	1920 x 1080 pixels
Max. Colors	16.7M Colors
Brightness (Typ.)	400 nits
Viewing Angle (CR=10)(Typ.)	178°(H)/178°(V)
Contrast Ratio (Typ.)	4000:1
Touch Screen	Projected Capacitive Multi Touch Screen

SYSTEM

OS Support	Windows® 7, Windows® 10
------------	-------------------------

I/O

Input Signal	VGA x 1, HDMI 1.4 x 1
USB Port	USB 2.0 x 1 for Touch Screen
Speaker	Built in 5W speaker x 2

MECHANICAL AND ENVIRONMENTAL

Operating Temperature	0°C to 35°C
Storage Temperature	-20°C to 60 °C
Storage Humidity	10% to 90% RH, noncondensing
VESA	100mm x 200mm and 200mm x 200mm
IP Rating	Front IP65
Power Requirement	External power adapter, AC IN: 100 ~ 240V, 12V
Dimension	799 x 478 x 63.7 mm
Package Size	980x260x700mm
Gross Weight	12.3 Kg
Net Weight	11.1 Kg
Certifications	CE: EN 60601-1-2:2015(V4.0), EN 60601-1:2006/A1:2013/A12:2014 (V3.1) FCC: Part 18 Class B

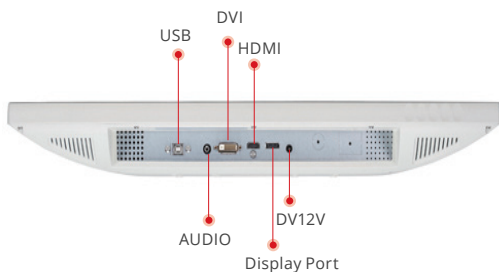
Ordering Information

- MEDDP-632F-P1-A1-0010
32" FHD.400nits LCD Monitor..HDMI x1, VGA x1.P-CAP.Med Adapter, Power cord

Medica Display for Medical Device

MEDDP-627

27" Slim Medical Display



Features

- 27" LCD Panel with LED Backlight
- Compact and Terse Design
- DVIx 1, HDMI x 1, DPx1
- Wide view angle 178° (H)/178° (V)
- True Flat Screen with PCT Touch
- Invisible OSD Design
- Low Power Consumption
- DICOM as optional

Specifications

DISPLAY

Size	27"
Resolution	Full HD 1920 x 1080
Max. Colors	16.7M
Brightness (Typ.)	350 nits
Viewing Angle (CR=10)(Typ.)	178°(H)/178°(V)
Contrast Ratio (Typ.)	3000:1
Touch Screen	Projective capacitive touch screen (optional)

SYSTEM

OS Support	Windows® XP, Windows® 7, Windows® 10
DICOM Support	Optional

I/O

Audio	Audio-in x 1
Serial Port	USB x 1 for touch controller
Signal	DVI x 1, HDMI x 1, DP x 1
Speaker	2.5W speaker x 2 on back side

MECHANICAL AND ENVIRONMENTAL

Power Consumption	Full Loading: 38.5Watts
VESA	100 x 100mm & 100 x 200mm
Power Requirement	DC 12V / 5A power input
Operating Temperature	5°C ~ 40°C (41°F ~ 104°F)
Storage Temperature	-10°C ~ 60°C (14°F ~ 140°F)
Storage Humidity	10%~90%@35°C, non-condensing
IP rating	IP22
Dimension	637.8 x 378.2 x 62.5 mm
Packing Size	730 x 300 x 560 mm
Gross Weight	10.4kg (22.93lb)
Net Weight	6.6kg (14.55lb)
Certifications	CE: EN 60601-1-2:2015(V4.0), EN 60601-1:2006/A1:2013/A12:2014(V3.1) FCC: Part 18 Class B

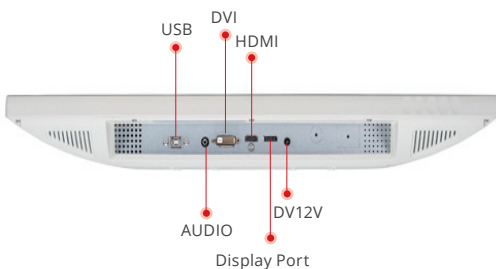
Ordering Information

- **MEDDP-627HNN-A1-1010**
27" LCD Monitor. 300 nits, DVI-Dx1, HDMIx1, DPx1, DC 12V Adapter
- **MEDDP-627HPN-A1-1010**
27" LCD Monitor. 300 nits, P-CAP Touch, DVI-Dx1, HDMIx1, DPx1, DC 12V Adapter
- **MEDDP-627TND-A1-1010**
27" LCD Monitor. 300 nits, DVI-Dx1, HDMIx1, DPx1, DC 12V Adapter, DICOM
- **MEDDP-627TPD-A1-1010**
27" LCD Monitor. 300 nits, P-CAP Touch, DVI-Dx1, HDMIx1, DPx1, DC 12V Adapter, DICOM

Medica Display for Medical Device

MEDDP-624

24" Slim Medical Display



Features

- 23.8" LCD Panel with LEDBacklight
- Compact and Terse Design
- DVI x 1, HDMI x 1, DPx1
- True Flat Screen with PCT Touch
- Invisible OSD Design
- Low Power Consumption
- Audio -2 x built-in

Specifications

DISPLAY

Size	23.8"
Resolution	Full HD 1920 x 1080
Max. Colors	16.7M
Brightness (Typ.)	400nits
Viewing Angle (CR=10)(Typ.)	89°(H)/89°(V)
Contrast Ratio (Typ.)	1000:1
Touch Screen	Projective capacitive touch screen (optional)
IP Grade	IP 22

SYSTEM

OS Support	Windows® XP, Windows® 7, Windows® 10
DICOM Support	Optional

I/O

Audio	Audio-in x 2
Serial Port	USB x 1 for touch controller
Signal	DVIx 1, HDMI x 1, DP x1
Speaker	2W speaker x 2 on back side

MECHANICAL AND ENVIRONMENTAL

Power Consumption	Full Loading:36.7Watts
VESA	100 x 100mm & 100 x 200mm
Power Requirement	DC12V / 5A power input
Operating Temperature	5°C ~ 40°C(41°F ~ 104°F)
Storage Temperature	-10°C ~ 60°C(14°F ~ 140°F)
Storage Humidity	10%~90%@35°C, non-condensing
Dimension	576 x 344.3 x 62.1 mm
Packing Size	645 x 545 x 295 mm
Gross Weight	8.6kg (19lb)
Net Weight	6.4kg (14.11lb)
Certifications	CE: EN 60601-1-2:2015(V4.0) , EN 60601-1:2006/ A1:2013/A12:2014(V3.1) FCC: Part 18 Class B

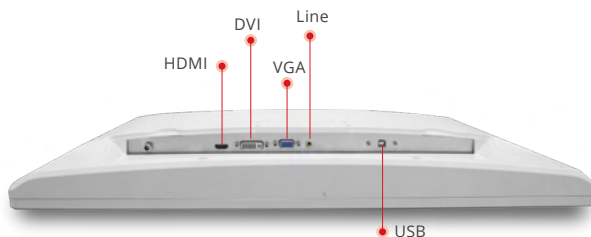
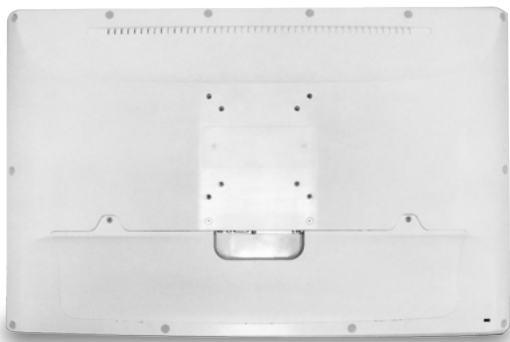
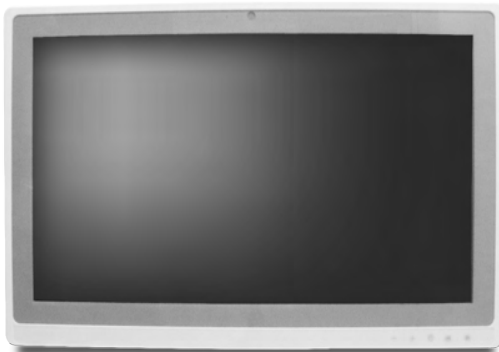
Ordering Information

- **MEDDP-624HNN-A1-1010**
23.8" LCD Monitor.400 nits,DVI-Dx1.HDMIx1.DPx1.DC 12V Adapter
- **MEDDP-624HPN-A1-1010**
23.8" LCD Monitor.400 nits, P-CAP Touch,DVI-Dx1.HDMIx1.DPx1.DC 12V Adapter
- **MEDDP-624TND-A1-1010**
23.8" LCD Monitor.400 nits,DVI-Dx1.HDMIx1.DPx1.DC 12V Adapter, DICOM
- **MEDDP-624TPD-A1-1010**
23.8" LCD Monitor.400 nits, P-CAP Touch, DVI-Dx1.HDMIx1.DPx1.DC 12V Adapter, DICOM

Medica Display for Medical Device

MEDDP-722

22" Slim Medical Display



Features

- 21.5" LCD Panel with LED Backlight
- Compact and TerseDesign
- DVI x 1, HDMI x 1, DPx1
- True Flat Screen with Capacitive Touch
- Speaker -2 x built-in
- Support 2M Camera

Specifications

DISPLAY

Size	21.5"
Resolution	Full HD 1920 x 1080
Max. Colors	16.7M
Brightness (Typ.)	250 nits
Viewing Angle (CR=10)(Typ.)	178°(H)/178°(V)
Contrast Ratio (Typ.)	3000:1
Touch Screen	Projective capacitive touch screen (optional)

SYSTEM

OS Support	Windows® 7, Windows® 10
Webcam	2MP

I/O

Video Input	DVIx 1, HDMI x 1, VGA x1
Audio	Audio-in x 1
USB	USB x 1 for touch controller
Speaker	5W speaker x 2 on back side

MECHANICAL AND ENVIRONMENTAL

VESA	75/100 mm VESA mount
Power Requirement	DC12V
Power Consumption	Full Loading :28.7Watts
Operating Temperature	5°C ~ 40°C(41°F ~ 104°F)
Storage Temperature	-10°C ~ 60°C(14°F ~ 140°F)
Storage Humidity	10%~90%@35°C, non-condensing
IP Rating	Protection: front IP54 - rear IPX1
Dimension	546 x 351 x 56 mm
Packing Size	570 x 478 x 260 mm
Gross Weight	8.4kg (18.51lb)
Net Weight	5.7kg (12.56lb)
Certifications	CE: EN 60601-1-2:2015(V4.0), EN 60601-1:2006/ A1:2013/A12:2014(V3.1) FCC: Part 18 Class B

Optional Accessories

- 125530036A
(AOH)(TF)Medical Power Adaptor.AC/DC.100 ~ 240V.12V.3A.36W.Adapter. ATM036T-P120(Level VI)
- 1700252001
(AOH)(TF)DVI-D Cable.(24+1)P DVI (M).(24+1)P DVI (M).200cm
- 1704191800
(AOH)(TF)HDMI Cable.HDMI 19P(F) Molding.HDMI 19P(M) Molding.180cm
- 1704151800
(AOH)(TF)VGA Cable.D-Sub 15P(M) Molding.D-Sub 15P(M) Molding.180cm
- 1700031802
AOH)(TF)Aidio Cable.3.5mm 3Pole Stereo Plug(Black).3.5mm 3Pole Stereo Plug(Green).180cm

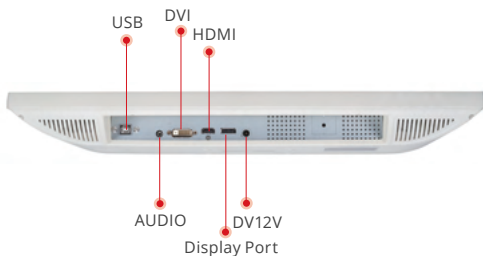
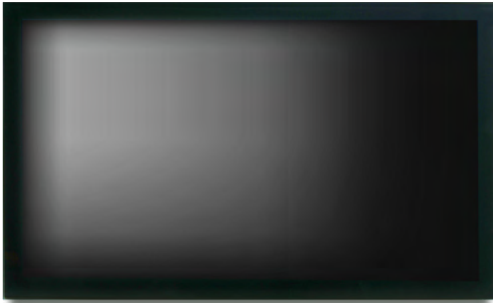
Ordering Information

- MEDDP-722-G1-A1-0010
Monitor. 22".250 nits.DC 12V.Glass
- MEDDP-722-G1-A2-0010
Monitor. 22".250 nits.DC 12V.Glass.2M Camera
- MEDDP-722-P1-A1-0010
Monitor. 22".250 nits.DC 12V.PCT
- MEDDP-722-P2-A1-0010
Monitor. 22".250 nits.DC 12V.PCT.2M Camera

Medica Display for Medical Device

MEDDP-622

22" Slim Medical Display



Features

- 21.5" LCD Panel with LED Backlight
- Compact and TerseDesign
- DVI x 1, HDMI x 1, DPx1
- True Flat Screen with Capacitive Touch
- Invisible OSD Design
- Speaker -2 x built-in

Specifications

DISPLAY

Size	21.5"
Resolution	Full HD 1920 x 1080
Max. Colors	16.7M
Brightness (Typ.)	350 nits
Viewing Angle (CR=10)(Typ.)	178°(H)/178°(V)
Contrast Ratio (Typ.)	1000:1
Touch Screen	Projective capacitive touch screen (optional)
IP Grade	IP 22

SYSTEM

OS Support	Windows® XP, Windows® 7, Windows® 10
DICOM Support	Optional

I/O

Audio	Audio-in x 1
Serial Port	USB x 1 for touch controller
Signal	DVIx 1, HDMI x 1, DP x 1
Speaker	2W speaker x 2 on back side

MECHANICAL AND ENVIRONMENTAL

Power Consumption	Full Loading :28.7Watts
VESA	100 x 100mm & 100 x 200mm
Power Requirement	DC12V
Operating Temperature	5°C ~ 40°C(41°F ~ 104°F)
Storage Temperature	-10°C ~ 60°C(14°F ~ 140°F)
Storage Humidity	10%~90%@35°C, non-condensing
Dimension	526 x 321 x 57 mm
Packing Size	570 x 478 x 260 mm
Gross Weight	8.4kg (18.51lb)
Net Weight	5.7kg (12.56lb)
Certifications	CE: EN 60601-1-2:2015(V4.0), EN 60601-1:2006/ A1:2013/A12:2014(V3.1) FCC: Part 18 Class B

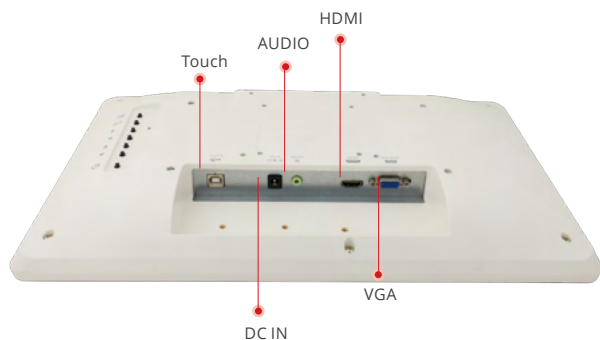
Ordering Information

- **MEDDP-622HNN-A1-1010**
21.5" LCD Monitor.350 nits,DVI-Dx1.HDMIx1.DPx1.DC 12V Adapter
- **MEDDP-622HPN-A1-1010**
21.5" LCD Monitor.350 nits, P-CAP Touch,DVI-Dx1.HDMIx1.DPx1.DC 12V Adapter
- **MEDDP-622TND-A1-1010**
21.5" LCD Monitor.350 nits,DVI-Dx1.HDMIx1.DPx1.DC 12V Adapter, DICOM
- **MEDDP-622TPD-A1-1010**
21.5" LCD Monitor.350 nits, P-CAP Touch, DVI-Dx1.HDMIx1.DPx1.DC 12V Adapter, DICOM

Medica Display for Medical Device

MEDDP-615

15.6" Slim Medical Display



Features

- 15.6" 1920 x 1080 Resolution Display
- Projected Capacitive Multi-touch
- VGA input and HDMI input
- Stylish and elegant design

Specifications

DISPLAY

Size	15.6"
Resolution	Full HD 1920 x 1080
Max. Colors	16.7M
Brightness (Typ.)	300 nits
Viewing Angle (CR=10)(Typ.)	85°(H)/85°(V)
Contrast Ratio (Typ.)	700:1
Touch Screen	Projective capacitive touch screen

SYSTEM

OS Support	Windows® XP, Windows® 7, Windows® 10
------------	--------------------------------------

I/O

Audio	Audio-in x 1
Serial Port	USB x 1 for touch controller
Signal	VGA x 1, HDMI x 1
Speaker	1 W speaker x 2 on back side

MECHANICAL AND ENVIRONMENTAL

Power Consumption	Full Loading :24.37Watts
VESA	75 x 75mm & 100 x 100mm
Power Requirement	DC12V / 5A power input
Operating Temperature	5°C ~ 40°C(41°F ~ 104°F)
Storage Temperature	-10°C ~ 60°C(14°F ~ 140°F)
Storage Humidity	10%~90%@35°C, non-condensing
Dimension	387.8 x 232.9 x 38.4 mm
Packing Size	425.3 x 269.2 x 45.6 mm
Gross Weight	6.5 kg (14.33lb)
Net Weight	2.8 kg (6.2lb)

Certifications	CE: EN 60601-1-2:2015(V4.0), EN 60950-1 EN 60601-1:2006/A1:2013/A12:2014 (V3.1) EN 62366:2007 + A1:2014 (V1.1) FCC: Part 18 Class B, Part 15 Class B UL: ANSI/AAMI ES60601-1:2012 (V3.1) cUL: CAN/CSA-C22.2 No. 60601-1:2014 (V3.1)
----------------	--

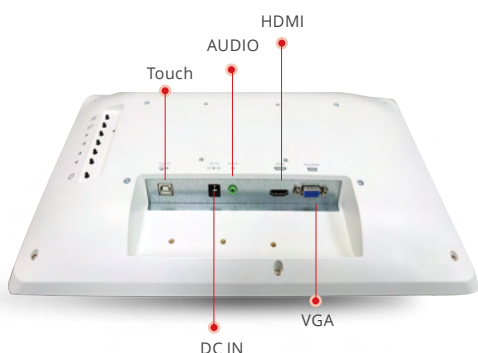
Ordering Information

- MEDDP-615HPN-A1-1010
15.6" LCD Monitor.300 nits.P-CAP touch,VGAx1.HDMIx1.DC 12V Adapter

Medica Display for Medical Device

MEDDP-415

15" Slim Medical Display



Features

- 15 " 1024 x 768 Resolution Display
- P-cap touch
- Stylish And Elegant Design

Specifications

DISPLAY

Size	15"
Resolution	1024 x 768
Max. Colors	16.2M
Brightness (Typ.)	300 nits
Viewing Angle (CR=10)(Typ.)	80°(H)/80°(V)
Contrast Ratio (Typ.)	700:1
Touch Screen	P-cap Touch, Protective Glass

SYSTEM

OS Support	Windows®XP, Windows® 7, Windows® 10
------------	-------------------------------------

I/O

Audio	Audio-in x 1
Serial Port	USB x 1 for touch controller
Signal	VGA x 1, HDMI x 1
Speaker	1 W speaker x 2 on backside

MECHANICAL AND ENVIRONMENTAL

Power Consumption	Full Loading:24.37Watts
VESA	75 x 75mm & 100 x 100mm
Power Requirement	DC12V / 5A power input
Operating Temperature	5°C ~ 40°C(41°F ~ 104°F)
Storage Temperature	-10°C ~ 60°C(14°F ~ 140°F)
Storage Humidity	10%~90%@35°C, non-condensing
Dimension	352.5x 276.1 x 45.0 mm
Packing Size	402.5x 326.1 x 80.0 mm
Gross Weight	3.7 kg (8.16lb)
Net Weight	2.6kg (5.73 lb)
Certifications	CE: EN 60601-1-2:2015(V4.0) EN 60601-1:2006 / A1:2013(V3.1) FCC: Part 18 Class B, Part 15 Class B

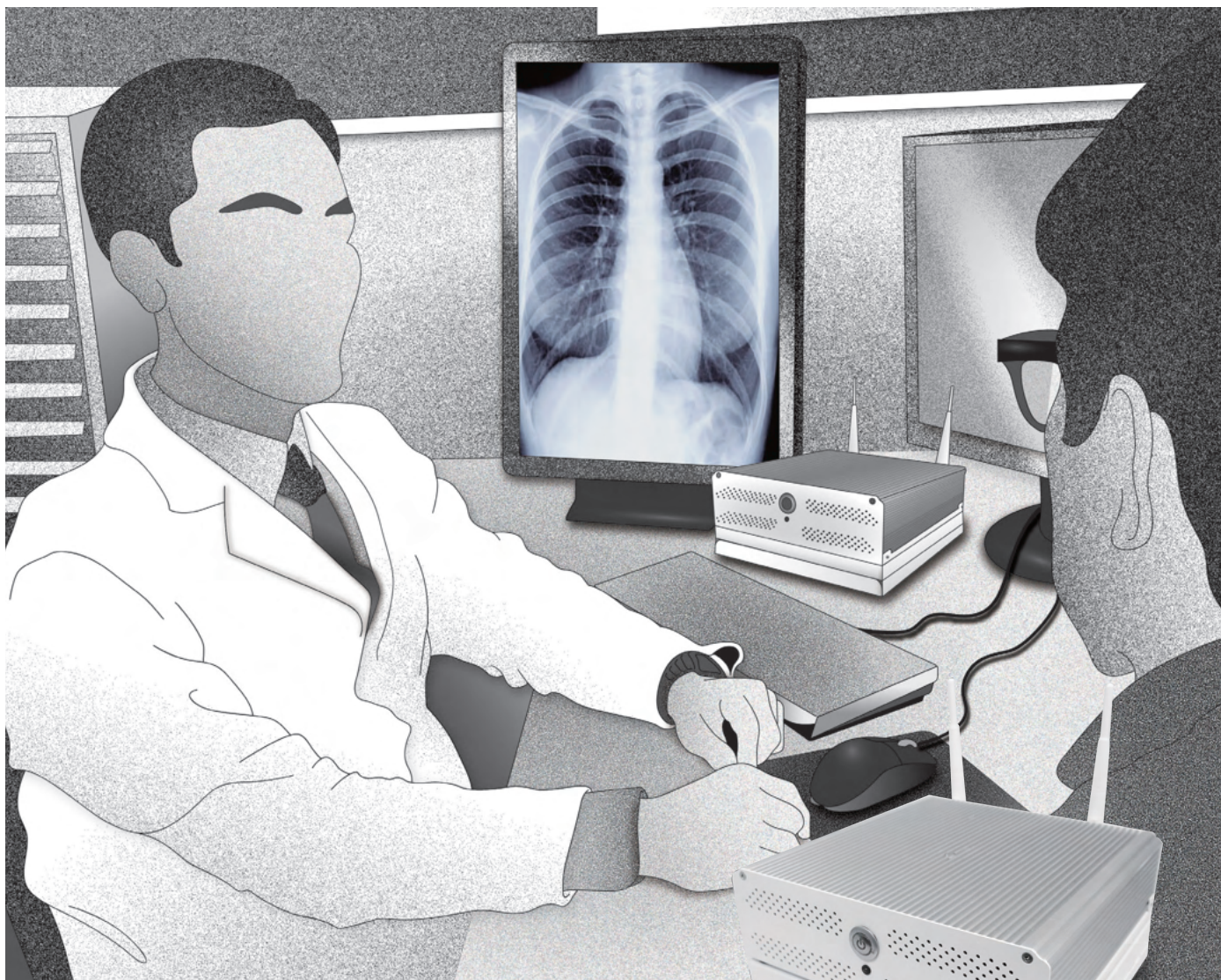
Ordering Information

- MEDDP-415HNN-A1-1010
15" LCD Monitor.300 nits.VGAX1.HDMIx1.DC 12V Adapter
- MEDDP-415HPN-A1-1010
15" LCD Monitor.300 nits, P-CAP touch.VGAX1.HDMIx1.DC 12V Adapter

MEDICAL COMPUTER FOR MEDICAL DEVICE

Dependable, Ready to Use Platform for Medical Equipment & OEM/ODM

MEDPC series is designed to achieve the high requirements of Hospital IT field and medical task that a hospital has. It is fanless design ensures that it will be quiet, and stop infection spreading from hiding in the fan. It has wide selections of up-to-date upgrades, and it has 5-7 lifecycle. Best of all, this Medical Grade Computer is already medical certified just like all of our products.



Key Features

- ◆ Medical certification with high performance CPU
- ◆ Fanless design and no bacterial infection concern
- ◆ Flexible function extension ability
- ◆ Different options for different purpose

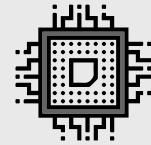
READY-TO-USE MEDICAL CERTIFIED PLATFORM

MEDPC is certified with EN 60601-1, UL 60601-1, FCC & CE Class B regulation. Detailed ISO 13485 and 14971 Risk Management Control guarantee product quality.



LATEST/CURRENT OFF-THE-SHELF PROCESSOR

From Intel® Quad Core i7, to Atom™ series, you can choose the best processor for the system. No matter for imaging capturing, data analyzing, photo viewing, or just EMR storage, you can always find right chipset.



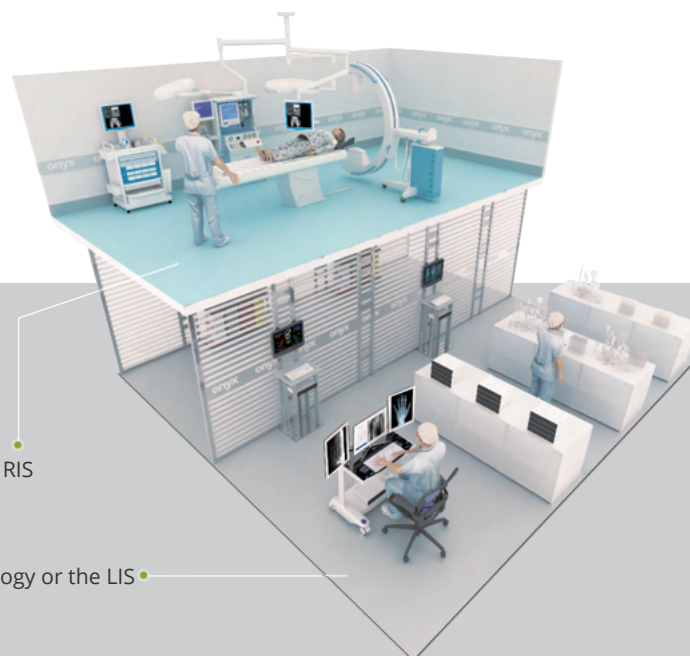
UNIQUE MEDICAL DEVICE FUNCTIONS

MedPC products with IP-X1 enclosure are easy to clean with detergent and water splitting proof. Isolated IO interfaces like Ethernet, COM and USB let system connect to other medical device or accessories risk free.



5-7 YEAR LONGEVITY LIFECYCLE SUPPORT

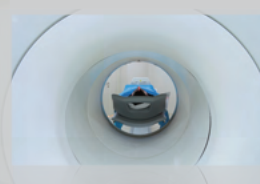
Your time and efforts can now focus on business promotions and product development. A careful design and vendor approval approach as well as scheduled reviews, minimizes unwelcome surprises during the product life cycle.



Biotechnology / Lab



His / NIS



RIS

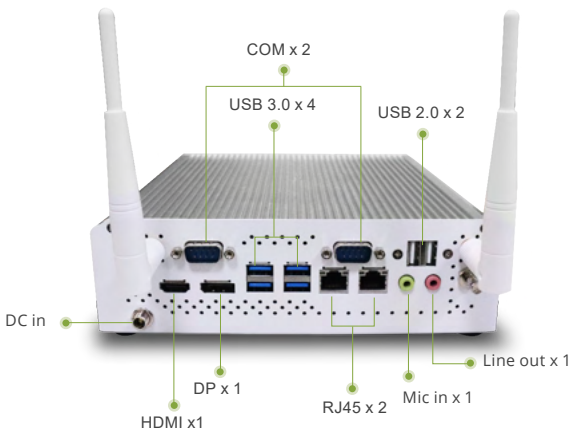
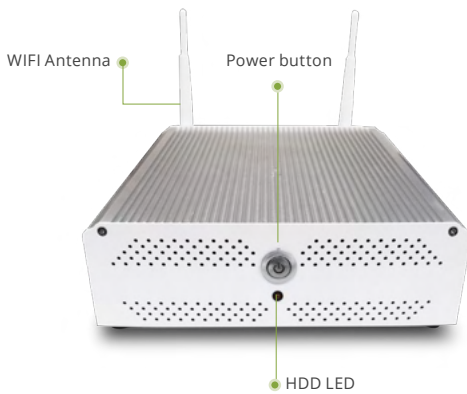


Pharmaceutical

Medical Computer for Medical Device

MEDPC-9200

High Performance Medical Grade PC with Intel® 6th Generation Core™ iSeries



Features

- Intel® 6/7th Generation Core i, Processor
- Supports DDR4 up to 32GB
- Extension area: PCI-Express [x1] x 1(optional)
- Two Independent , Display: DP/HDMI
- Supports TPM 2.0
- Modularize Design
- Support Inte Modivus AI card

Application

- HIS, LIS, RIS
- Pharmaceutical industry
- Biotech Lab
- Signage in hospital
- Equipment control

Specifications

MAIN SPECIFICATIONS

Processor	Intel® 7th/6th Generation Core™ i7/i5/i3
System Memory	Supports Dual Channel DDR4 SODIMM up to 32 GB
OS Support	Windows® 7, Windows® 8, Windows® 10, Linux®
Extension area	PCI-Express [x1] x 1(optional)
Storage Disk Drive	2.5" SATA SSD x 1
Security	TPM 2.0
Power Requirement	DC 12V

I/O

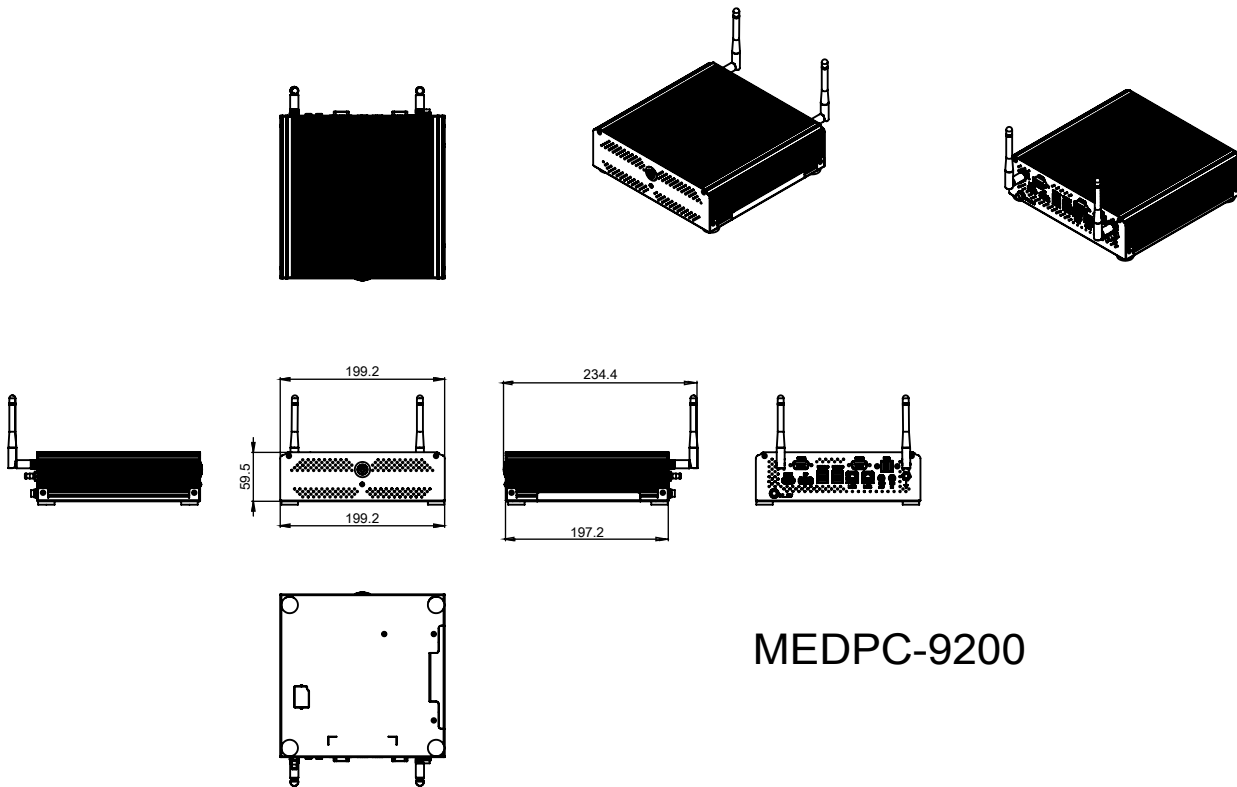
USB	USB 3.0 x 4 , USB 2.0 x 2
Serial Port	RS-232 x 2
Ethernet	Gigabit LAN x 2
Video Out	Display Port x 1 (Support up to 1920 x 1200 @60 Hz) , HDMI 1.4 x 1
Audio	Mic-in, Line-out

MECHANICAL AND ENVIRONMENTAL

Operating Temperature	0°C ~ 40°C(32°F ~ 104°F)
Storage Temperature	-20°C ~ 60°C(-4°F ~ 140°F)
Dimension	197 x 197 x 59.5 mm for main layer 197 x 197 x 44 mm for extension layers
Package Size	300 x 280 x 95 mm
Gross Weight	3.3 kg (7.25 lb) in the single layer, 4.0 kg (7.25 lb) in two layer
Net Weight	2.5 kg in the single layer, 3.7 kg in two layers
Certifications	CE: EN 60601-1-2:2015(V4.0), EN 60601-1:2006/A1:2013/A12:2014 (V3.1) FCC: Part 18 Class B UL: ANSI/AAMI ES60601-1:2012 (V3.1) cUL: CAN/CSA-C22.2 No. 60601-1:2014 (V3.1)

High Performance Medical Grade PC with Intel® 6th Generation Core™ iSeries

Dimension / Unit: mm



MEDPC-9200



Ordering Information

- MEDPC-9200-N1-A1-0010
Medical Box PC.i7-6700TE.Fanless.DC 12V
- MEDPC-9200-N2-A1-0010
Medical Box PC.i5-6500TE.Fanless.DC 12V

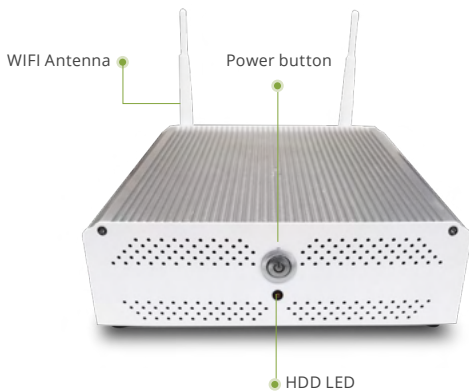
Optional Accessories

- 1255300907
(AOH)(TF) Power Adapter.100-240Vac.50/60Hz.1.5A..12Vdc.7.5A.90W.FSP.FSP090M-RHA(w/Lock)
- OPM-C16W-A7
WLAN Kit.802.11a/b/g/n w/BT 4.0.Atheros AR5B22
- M92-SEC-A1
MEDPC-9200.extension area with PCIe[x1] riser
- OPM-T029-A0
Intel modivius AI card for MEDPC-9200
- OPM-C15W-A7
WLAN Kit.802.11a/b/g/n/ac BT 5.0 Intel AC9260

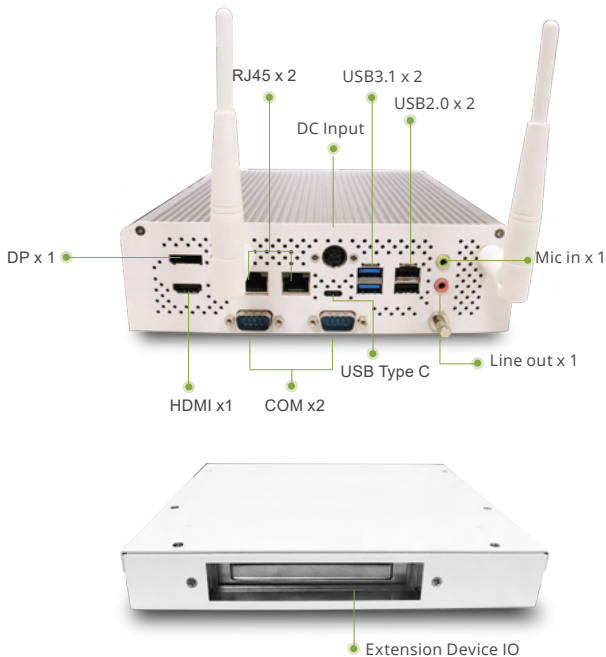
Medical Computer for Medical Device

MEDPC-9300

High Performance Medical Grade PC with AMD Ryzen™ Embedded V1000



COM x 2



Features

- AMD Ryzen Embedded V1605B Processor up to 3.6GHz
- Supports DDR4 SO-DIMM, Max. 32GB
- AMD Vega GPU with 8 Compute Units
- Three Independent 4K Display: 1x HDMI 2.0, 1x DisplayPort, 1x USB Type-C
- 1x USB 3.1 Type-C, 2x USB 3.1 Type-A
- 1x PCI Express[x8] in Extension Layer(optional)
- Supports fTPM2.0

Application

- HIS, LIS, RIS
- Pharmaceutical industry
- Biotech Lab
- Signage in hospital
- Equipment control

Specifications

SYSTEM

Processor	AMD Ryzen™ Embedded V1605B Processor
System Memory	DDR4 SoDIMM x2, Max. 32GB
Graphics	AMD Vega GPU with 8 Compute Units
Expansion Interface	PCI Express[x8] x1
Storage Disk Drive	2.5" SATA SSD x1
Security	fTPM2.0
Wireless Communication	802.11ac/a/b/g/n(optional), Bluetooth(optional)
Power Requirement	DC 12~24V
OS Support	Win 10 IoT Enterprise 64-bit / Linux Ubuntu 64-bit

DISPLAY

Video Out	1x HDMI 2.0, 1x Display Port 1.4, 1x USB Type-C
Display	Up to 3840 x 2160 resolution, at 60Hz
HDMI	Up to 3840 x 2160 resolution, at 60Hz

I/O

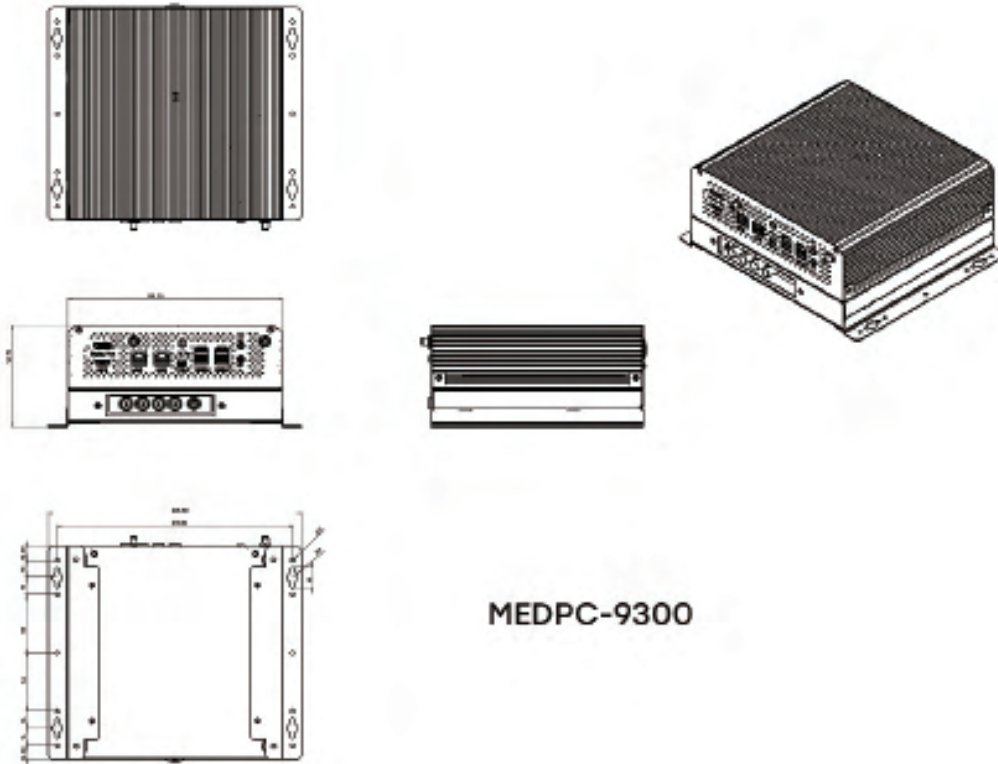
USB	2x USB 3.1 Type-A, 1x USB 3.1 Type-C, 2x USB2.0
Serial Port	2x RS-232
Audio	Mic, Line-out
LAN	2x Gigabit Ethernet
Audio Jack	Mic, Line-out

MECHANICAL AND ENVIRONMENTAL

Operating Temperature	0°C ~ 40°C(32°F ~ 104°F)
Storage Temperature	-20°C ~ 60°C(-4°F ~ 140°F)
Dimension	197 x 197 x 59.5 mm for main layer 197 x 197 x 44 mm for extension layers
Package Size	300 x 280 x 95 mm
Gross Weight	3.3 kg (7.25 lb) in the single layer, 4.0 kg (7.25 lb) in two layer
Net Weight	2.5 kg in the single layer, 3.7 kg in two layers
Certifications	CE: EN 60601-1-2:2015(V4.0), EN 60601-1:2006/A1:2013/A12:2014 (V3.1) FCC: Part 18 Class B UL: ANSI/AAMI ES60601-1:2012 (V3.1) cUL: CAN/CSA-C22.2 No. 60601-1:2014 (V3.1)

High Performance Medical Grade PC with AMD Ryzen™ Embedded V1000

Dimension / Unit: mm



MEDPC-9300



Ordering Information

- MEDPC-9300-N1-A1-0010
MEDPC-9300. AMD Ryzen™ Embedded V1605B.

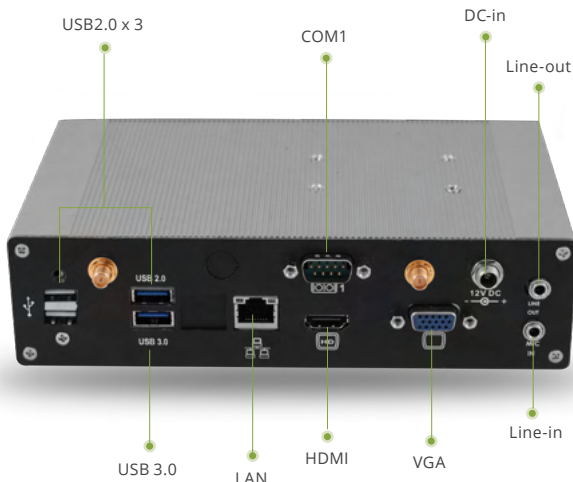
Optional Accessories

- 1255301205
(AOH)(TF)Medical Power Adaptor.AC/DC.100-240V.12V.10A.120W.W/4P DIN.Adapter.ATM-P120
- M93-SEC-A1
MEDPC-9300.extension area.
- OPM-C12W-A10
WLAN Kit.Qualcomm Atheros.802.11ac/a/b/g/n.BT 4.1.with dual band antenna. MEDPC-9300
- OPM-C15W-A10
WLAN Kit.802.11a/b/g/n/ac.BT 5.dual ext. antenna.Intel AC 9260NGWGIE.NV,999LV6.for MEDPC-9300

Medical Computer for Medical Device

MEDPC-2100

Ultra Slim Medical Grade PC with Intel Bay Trail SoC



Features

- Intel® Bay Trail J1900 (Quad Core) 2GHz
- Multiple display output support
- Fanless easy clean design
- Mini Size

Application

- HIS, LIS, RIS
- Pharmaceutical industry
- Biotech Lab
- Signage in hospital
- Equipment control

Specifications

MAIN SPECIFICATIONS

Processor	Intel® Celeron J1900 (Quad Core) 2GHz
Video Chipset	Intel® HD Graphics
Display Memory	Shared Memory
System Memory	204-pin DDR3L support to 8GB
Expansion	1 x Half size Mini Card Slot ; 1 Mini card slot
System Storage	CFAST Cardx 1
OS Support	Windows® 7, Windows® 8, Windows®10, Linux®

I/O

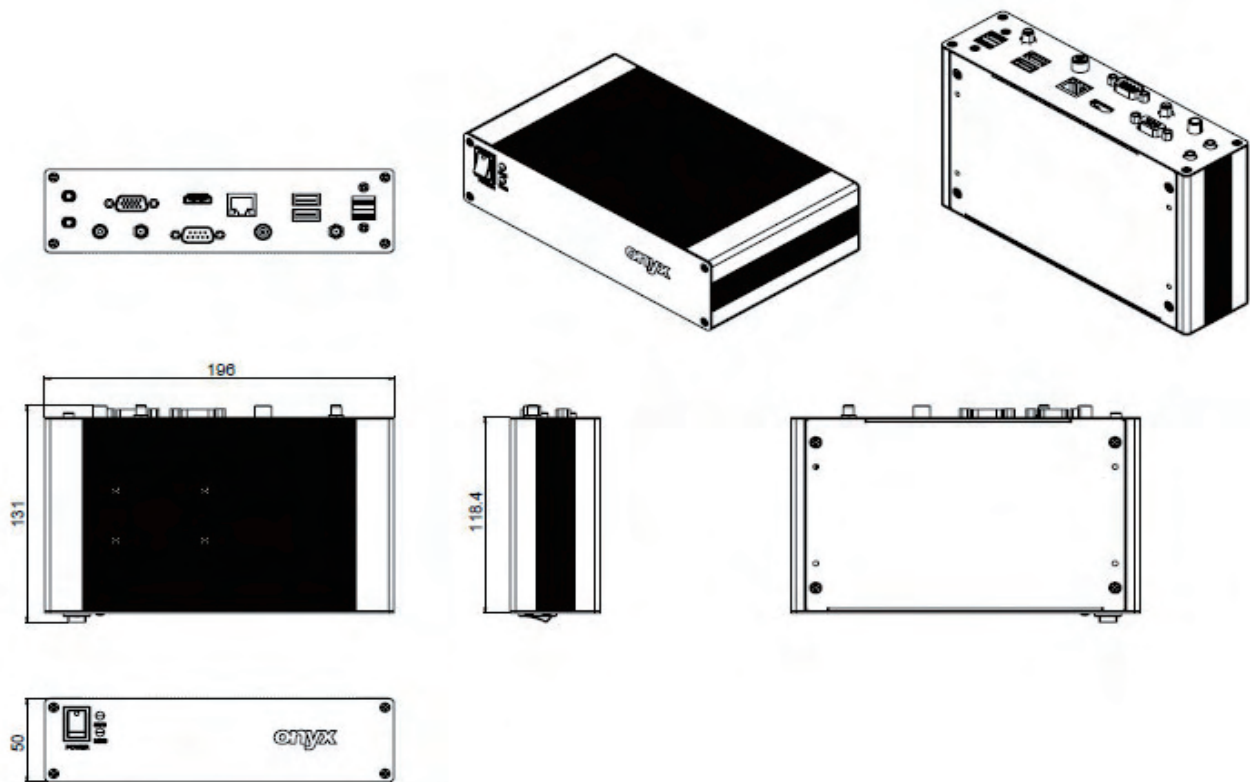
USB	USB 2.0 x 3, USB 3.0 x 1
COM Port	RS-232 x 1
Video Interface	VGA x 1, HDMI 1.4a x 1
Power Jack	DC Power Input Connector
Ethernet	GbE LAN x 1 by RJ-45
SMA Connector	SMA Connector for WLAN antenna (removable) (optional)
Power Switch	1 Power switch button and 2 LED indicator (HDD, SYS) (Orange Red, Green)
Audio	Line out / Line-in

MECHANICAL AND ENVIRONMENTAL

Power Consumption	Full Loading: 38.453Watts
Power Requirement	DC 12V power input
Operating Temperature	0°C ~ 40°C (32°F ~ 104°F)
Storage Temperature	-20°C ~ 60°C (-4°F ~ 140°F)
Dimension	196 x 131 x 50 mm
Package Size	305 x 225 x 230 mm
Gross Weight	2.4kg (5.28lb)
Net Weight	1.2Kg (2.64lb)
Certifications	CE: EN 60601-1-2:2015(V4.0), EN 60601-1:2006/A1:2013/A12:2014 (V3.1) FCC: Part 18 Class B UL: ANSI/AAMI ES60601-1:2012 (V3.1) cUL: CAN/CSA-C22.2 No. 60601-1:2014 (V3.1)

Ultra Slim Medical Grade PC with Intel Bay Trail SoC

Dimension / Unit: mm



Ordering Information

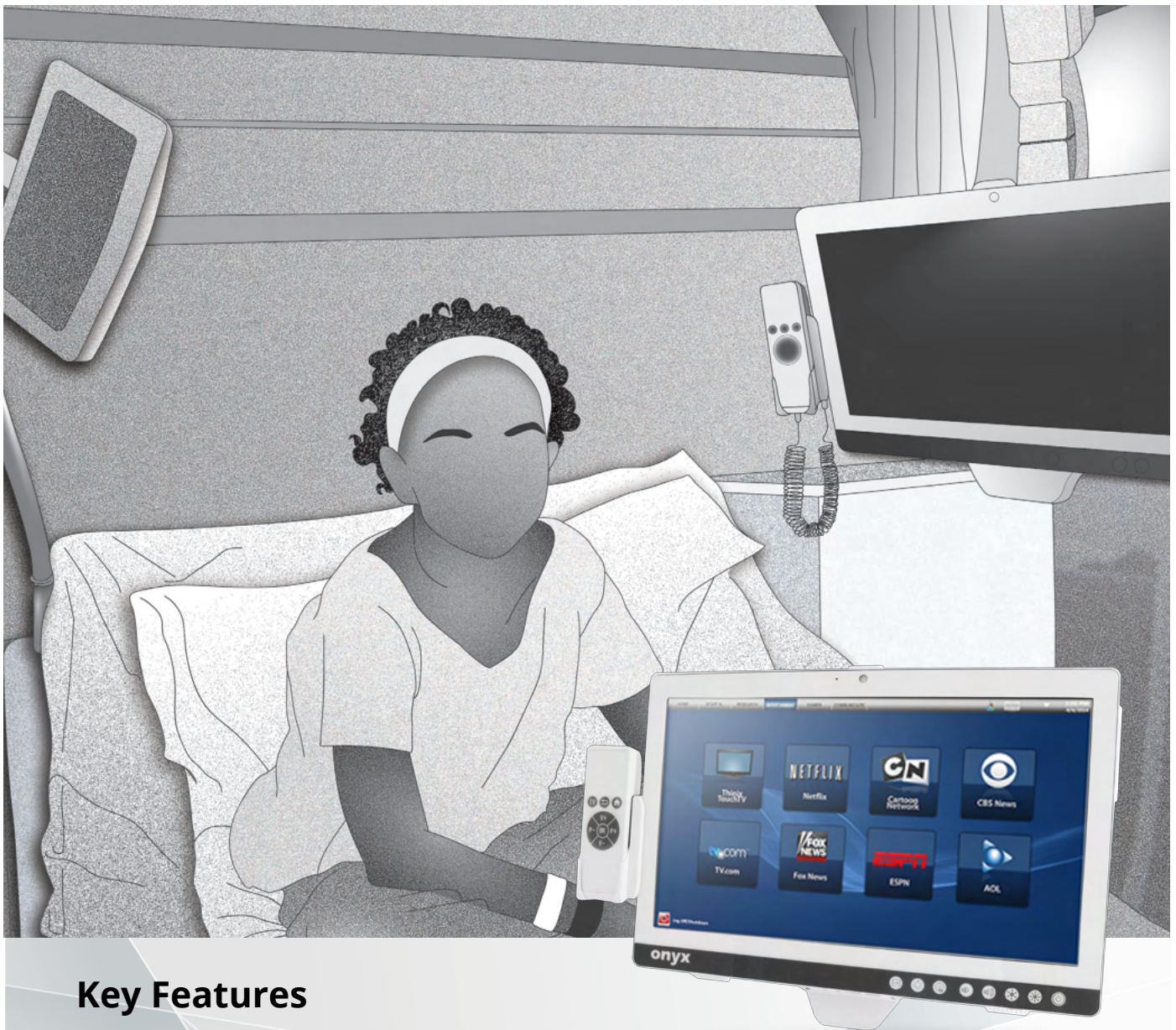
- MEDPC-2100-A1-1010
Emb. Sys., DC 12V, 2GB RAM, 1 LAN, 1 USB 3.0, 3 USB 2.0, 1 VGA, 1HDMI, 1 COM
- MEDPC-2100-A2-1010
Emb. Sys.Celeron J1900.DC 12V.1 VGA,1 HDMI, 1 COM.3 USB2.0,1 USB3.0.1 LAN.4G RAM.CFast

Optional Accessories

- 1757306039
Medical Power Adaptor.100 ~ 240V.12V.5A.60W.DC.W/ Lock.Adapter.ATM065-P120(w/core)
- OPM-C16W-A7
WLAN Kit.Atheros AR1111.802.11b/g/n+BT 4.0.Mini Card.dual white ext. antenna.for MEDPC-2100
- OPM-C15W-A11
WLAN Kit.802.11a/b/g/n/ac.BT 5.dual ext. antenna.Intel AC9260NGWGIE.NV,999LV6.for MEDPC-2100

HEALTHCARE INFOTAINMENT ALL IN ONE COMPUTER

Onyx is proud to introduce its medical infotainment solutions to reduce the workload of nurses and maximize patient's hospital experience during their stays. Onyx Infotainment series are offered in 10.1"/11.6"/15.6"/18.5" touch panel LCDs and are all low power high performance all-in-one terminals with high brightness, wide viewing angles, and anti-microbial design. From the high performance Intel processor to power saving ARM CPUs, Onyx Infotainment series allows customers to select from a wide variety of bedside solutions that best fits their need and budget.



Key Features

- ◆ HD video quality with HDMI input
- ◆ 10.1" to 18.5" Wide Color TFT LCD w/ Multi Touch
- ◆ USB interface to host computer
- ◆ Light Weight from 1.5 to 3.2kg
- ◆ Wire Remote Control w/ handset Function
- ◆ Smart Card Reader / MSR / VOIP Phone, Web Camera, High Quality Speakers
- ◆ Reading Light
- ◆ Extension Features: RFID, Smart Card Reader, Barcode scanner
- ◆ EN60601-1 / UL 60601-1

COMPLETE RANGE OF MEDICAL SOLUTIONS TO SUIT YOUR NEEDS

From display systems such as bedside monitors to medical grade boxPCs and all-in-one terminals, Onyx offers a comprehensive assortment of medical IT solutions to cover virtually any computing need in the healthcare community.



PERIPHERAL SUPPORT FEATURES THAT EXTEND YOUR EFFICIENCY

Increasing the efficiency of your healthcare facility is conveniently managed with the addition of intelligent peripheral devices. Like smart card and magnetic swipe card readers, high resolution webcams, and 10-point multi-touch displays.



ERGONOMIC AND COST-EFFECTIVE DESIGN

The Bedside Infotainment Series offers solutions that are both lightweight and compact in size, making them easy to carry, install, and manage for medical staff. Units with an 18.5" display weigh only 3.5kg, while units with an 11.6" display weigh just 1.5kg. The competitively priced Bedside Infotainment Series makes it an ideal solution to fit a multitude of medical IT applications, while at the same time saving on your budget.



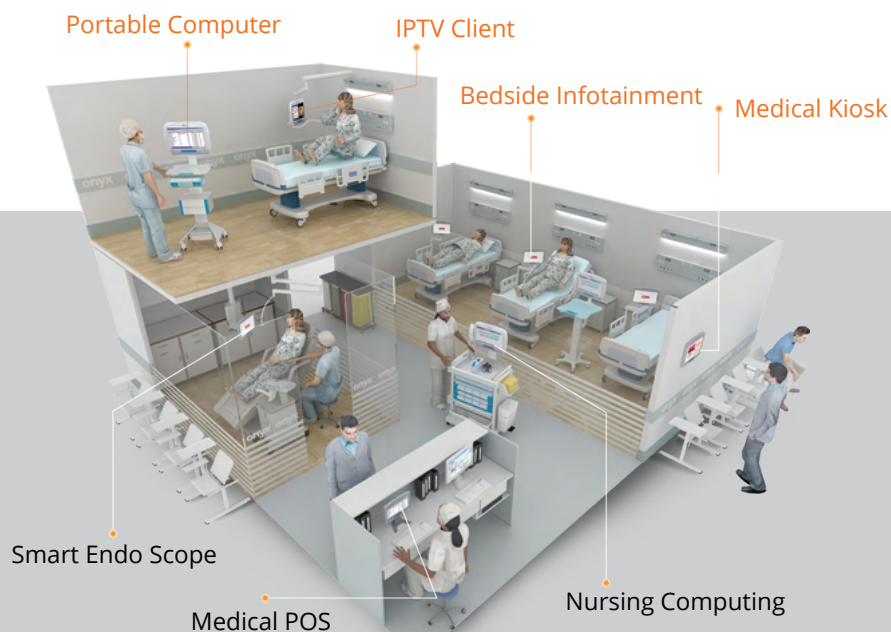
POWER OVER ETHERNET (POE)

The advantages of using PoE include providing a single cable for both data and power that eliminates the need for extra power cords; ease of installation as there is no need to coordinate data and power sources which can leave extra lengths of exposed cabling; and the ability to use existing infrastructure, minimizing interruptions to facilities and patients.



MULTIFUNCTIONAL REMOTE CONTROL

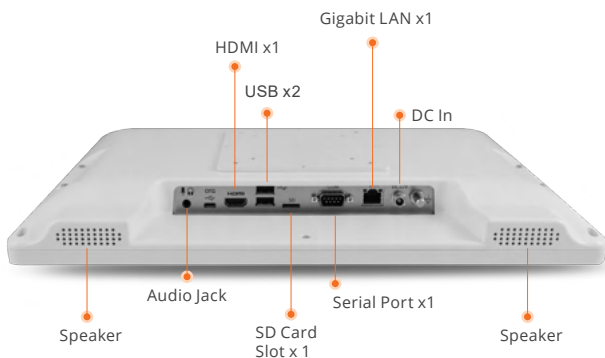
Controlling the Bedside Infotainment system has been made as simple and convenient as possible with the multifunctional remote control. The controller includes a VOIP phone as well as all buttons necessary to control the unit. An optional 2D barcode scanner is also available.



Healthcare Infotainment All In One Computer

ONYX-BE153R

15.6" Fanless Android Bedside Computer



Features

- Rockchip RK3288 Processor
- Android 6.0
- 15.6" Wide Color TFT LCD Touch Terminal
- PCT with Multi-Touch support
- Intuitive Front Access Function Keys
- IP65 Waterproof in front
- Optional VOIP Phone, Webcam and RFID.
- EN 60601-1, UL 60601-1

Specifications

MAIN SPECIFICATIONS

Processor	Rockchip RK3288 ARM Cortex-A17 QC 1.6GHz
System Memory	DDR3L 2GB
Expansion Interface	Mini PCIe Slot x 1
Storage Disk Drive	16GB eMMC
Wireless Communication	802.11 ac + BT 4.1
Camera	5 Megapixels
Speaker	3W x2
Security	13.56MHz RFID Reader (Optional)
Function Key	Power, Volume Up/Down, Brightness Up/Down, LCD On/Off, Touch On/Off
Power Requirement	DC 12V / Power Over Ethernet
OS Support	Android 6.0

DISPLAY

Size / Type	15.6" (16:9) Color TFT LCD
Max. Resolution	1920 x 1080 FHD
Luminance(cd/m2)(TYP)	220 nits
Max. Colors	16.7 M
Viewing Angle	90 (H)/60(V)
Contrast Ratio	500:1
Touch Screen	Projected Capacitive Touch

I/O

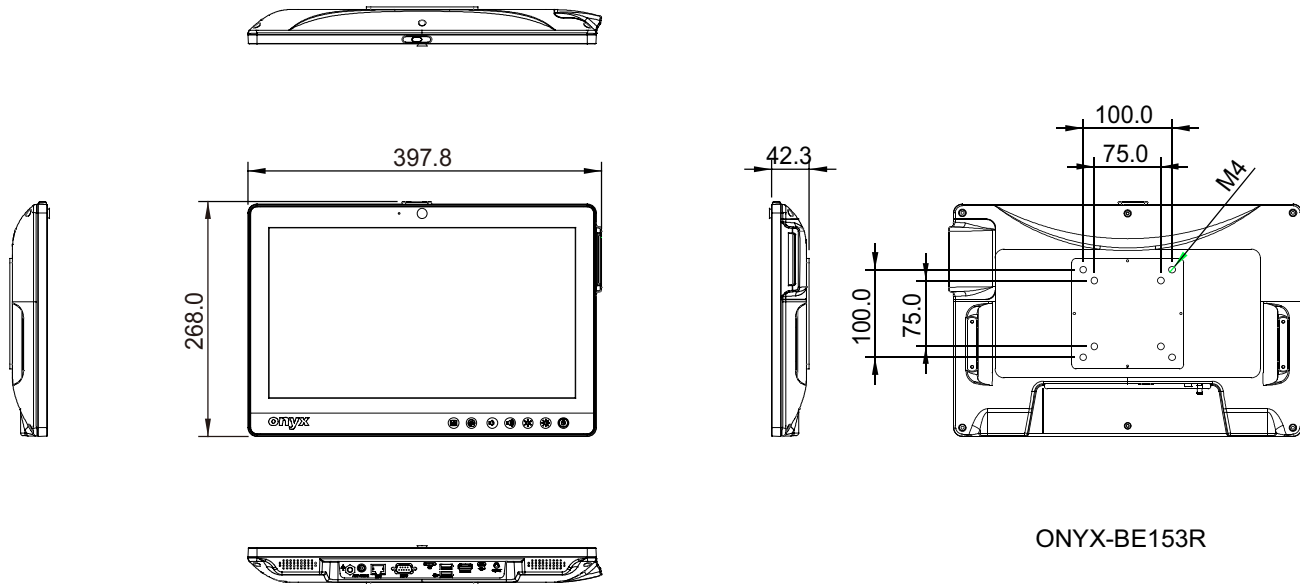
USB	USB 2.0 (Type-A) x2
Serial Port	RS-232 x1 (Optional)
Ethernet	Gigabit LAN x1 (Support Power over Ethernet)
Audio	3.5mm Phone Jack x1
Video	HDMI Out x1
SD Card Slot	Micro SD x1
DC-In	DC-In Jack x1

MECHANICAL AND ENVIRONMENTAL

Infection Control	Anti-Bacteria (Optional)
Operating Temperature	0°C ~ 40°C(32°F ~ 104°F)
Storage Temperature	-20°C ~ 60°C(-4°F ~ 140°F)
Mounting	VESA 75/100 mm
Degree of Protection	Front Panel: IP65, Whole Unit: IP54
Dimension	397.8 x 268.0 x 42.3 mm
Package Size	721 x 224 x 464 mm
Gross Weight	6.5 kg (14.33lb)
Net Weight	2.8 kg (6.17lb)
Certifications	CE: EN 60601-1-2:2015(V4.0), EN 60601-1:2006/A1:2013(V3.1) FCC: Part 18 Class B UL: ANSI/AAMI ES60601-1:2012 (V3.1) cUL: CAN/CSA-C22.2 No. 60601-1:2014 (V3.1)

15.6" Fanless Android Bedside Computer

Dimension / Unit: mm



Ordering Information

- ONYX-BE153R-P01-A1-0201
RISC Beside Terminal.RK3288.15.6.C-TS.2GB RAM.16GB eMMC.Camera.POE.Android 6.x
- ONYX-BE153R-P01-A1-0202
RISC Beside Terminal.RK3288.15.6.C-TS.2GB RAM.16GB eMMC.POE.Android 6.x

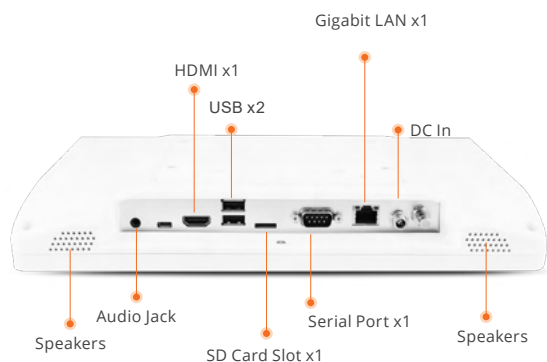
Optional Accessories

- 1757306039
Medical Adapter.60W.12V/5A
- OPM-T018-A1
VoIP Handset w/o keypads

Healthcare Infotainment All In One Computer

ONYX-BE122R

11.6" Fanless Android Bedside Computer



Features

- Rockchip RK3288 Processor
- Android 6.0
- 11.6" Wide Color TFT LCD Touch Terminal
- PCT with Multi-Touch support
- Intuitive Front Access Function Keys
- IP65 Waterproof in front
- Optional VOIP Phone, Webcam and RFID
- EN 60601-1, UL 60601-1

Specifications

MAIN SPECIFICATIONS

Processor	Rockchip RK3288 ARM Cortex-A17 QC 1.6GHz
System Memory	DDR3L 2GB
Expansion Interface	Mini PCIe Slot x 1
Storage Disk Drive	16/64GB eMMC
Wireless Communication	802.11 ac + BT 4.1
Speaker	2W x2
Camera	5 Megapixels
Security	13.56MHz RFID Reader (Optional)
Function Key	Power, Volume Up/Down, Brightness Up/Down,
Power Requirement	DC 12V / Power Over Ethernet
OS Support	Android 6.0

DISPLAY

Size / Type	11.6" (16:9) Color TFT LCD
Max. Resolution	1366 x 768 HD
Luminance(cd/m2)(TYP)	250 nits
Max. Colors	16.7 M
Viewing Angle	90°(H)/60°(V)
Contrast Ratio	500:1
Touch Screen	Projected Capacitive Touch

I/O

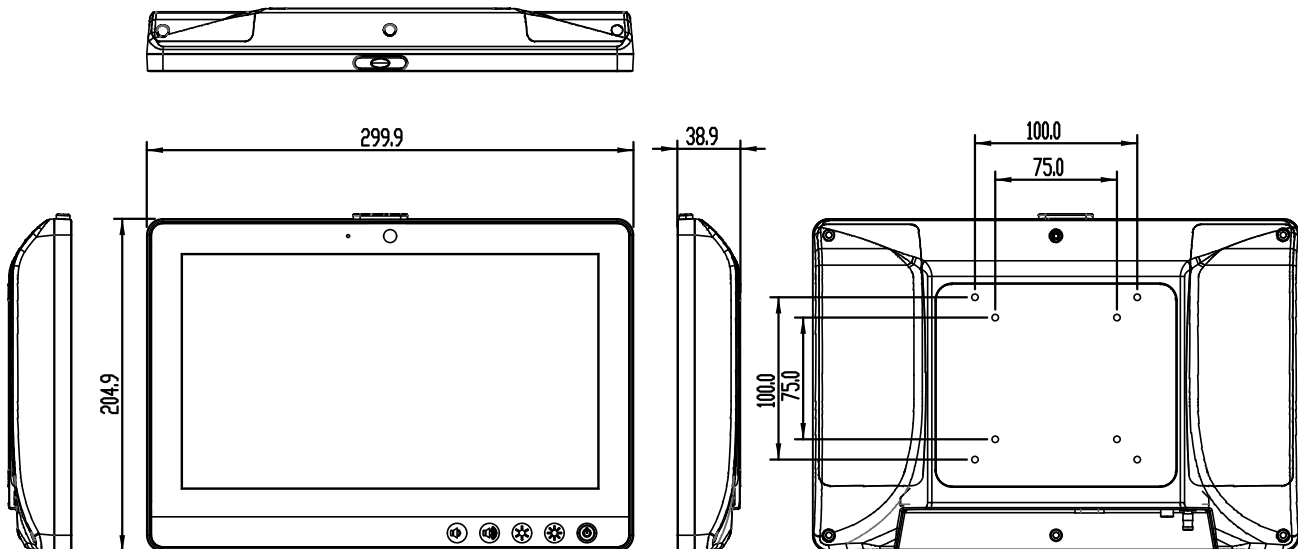
USB	USB 2.0 (Type-A) x2
Serial Port	RS-232 x1 (Optional)
Ethernet	Gigabit LAN x1 (Support Power over Ethernet)
Audio	3.5mm Phone Jack x1
Video	HDMI Out x1
SD Card Slot	Micro SD x1
DC-In	DC-In Jack x1

MECHANICAL AND ENVIRONMENTAL

Infection Control	Anti-Bacteria (Optional)
Operating Temperature	0°C ~ 40°C(32°F ~ 104°F)
Storage Temperature	-20°C ~ 60°C(-4°F ~ 140°F)
Mounting	VESA 75/100 mm
Degree of Protection	Front Panel: IP65, Whole Unit: IPX1
Dimension	299.9 x 2049 x 38.9 mm
Package Size	540 x 230 x 370 mm
Gross Weight	4 kg (8.82lb)
Net Weight	1.5 kg (3.3lb)
Certifications	CE: EN 60601-1-2:2015(V4.0), EN 60601-1:2006/A1:2013(V3.1) FCC: Part 18 Class B UL: ANSI/AAMI ES60601-1:2012 (V3.1) cUL: CAN/CSA-C22.2 No. 60601-1:2014 (V3.1)

11.6" Fanless Android Bedside Computer

Dimension / Unit: mm



Ordering Information

- ONYX-BE122R-P01-A1-0201
RISC Beside Terminal.RK3288.11.6".C-TS.2GB RAM.16GB eMMC.Camera.POE.Android 6.x
- ONYX-BE122R-P01-A1-0202
RISC Beside Terminal.RK3288.11.6".C-TS.2GB RAM.16GB eMMC.POE.Android 6.x

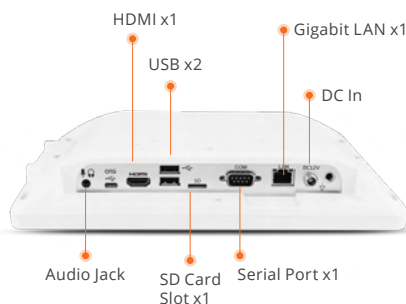
Optional Accessories

- 1757306039
Medical Adapter.60W.12V/5A
- OPM-T018-A1
VoIP Handset w/o keypads

Healthcare Infotainment All In One Computer

ONYX-BE102R

10.1" Fanless Android Bedside Computer



Features

- Rockchip RK3288 Processor
- Android 6.0
- 10.1" Wide Color TFT LCD Touch Terminal
- PCT with Multi-Touch support
- Intuitive Front Access Function Keys
- IP65 Waterproof in front
- Optional VOIP Phone, Webcam and RFID
- EN 60601-1, UL 60601-1

Specifications

MAIN SPECIFICATIONS

Processor	Rockchip RK3288 ARM Cortex A17 QC 1.6GHz
System Memory	DDR3L 2GB
Expansion Interface	Mini PCIe Slot x 1
Storage Disk Drive	16GB eMMC
Security	13.56MHz RFID Reader (optional)
Wireless Communication	802.11 ac + BT 4.1
Speaker	2W x2
Camera	5 Megapixels
Function Key	Power, Speaker Volume Up/Down, LCD Brightness Up/Down
Power Requirement	DC 12V / Power over Ethernet
OS Support	Android 6.0

DISPLAY

Size / Type	10.1" LCD (16:9) Color TFT LCD
Max. Resolution	1280 x 800
Luminance(cd/m2)(TYP)	400 nits
Max. Colors	16.7 M
Viewing Angle	170°(H)/170°(V)
Contrast Ratio	800:1
Touch Screen	Projected Capacitive Touch

I/O

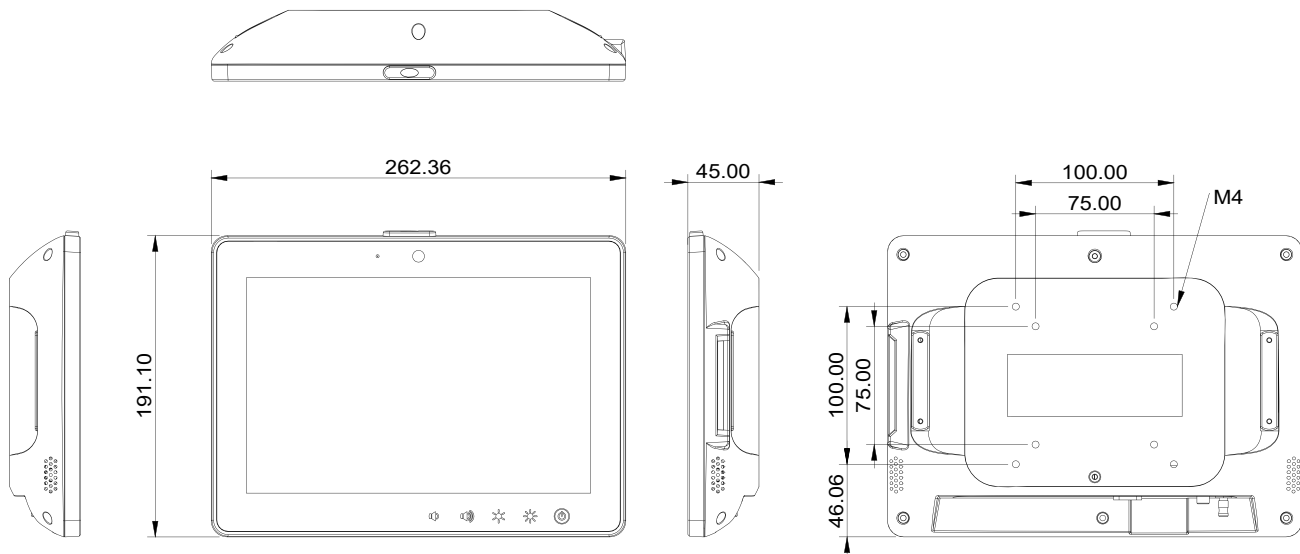
USB	USB 2.0 (Type-A) x2
Serial Port	RS-232 x1 (Optional)
Ethernet	Gigabit LAN x1 (Support Power over Ethernet)
Audio	3.5mm Phone Jack x1
Video	HDMI Out x1
SD Card Slot	Micro SD x1
DC-In	DC-In Jack x1

MECHANICAL AND ENVIRONMENTAL

Infection Control	Anti-Bacteria (Optional)
Operating Temperature	0°C ~ 40°C(32°F ~ 104°F)
Storage Temperature	-20°C ~ 60°C(-4°F ~ 140°F)
Mounting	VESA 75/100 mm
Degree of Protection	Front Panel: IP65, Whole Unit: IPX1
Dimension	262.36 x 191.10 x 45 mm
Package Size	402 x 190 x 335 mm
Gross Weight	3.7 kg (8.2lb)
Net Weight	1.2 kg (2.6lb)
Certifications	CE: EN 60601-1-2:2015(V4.0), EN 60601-1:2006/A1:2013(V3.1) FCC: Part 18 Class B UL: ANSI/AAMI ES60601-1:2012 (V3.1) cUL: CAN/CSA-C22.2 No. 60601-1:2014 (V3.1)

10.1" Fanless Android Bedside Computer

Dimension / Unit: mm



Ordering Information

- ONYX-BE102R-P01-A1-0201
RISC Beside Terminal.RK3288.10.1".C-TS.2GB RAM.16GB eMMC.Camera.POE.Android 6.x
- ONYX-BE102R-P01-A1-0202
RISC Beside Terminal.RK3288.10.1".C-TS.2GB RAM.16GB eMMC.POE.Android 6.x

Optional Accessories

- 1757306039
Medical Adapter.60W.12V/5A
- OPM-T018-A1
VoIP Handset w/o keypads

Panel PC Accessory Selection

OPM-H02S Desktop Stand



Features

- Apply to 10"~22" Slim Medical Panel PC, Medical Display.
- Spinning around high and mighty; able to bear 5kg to 12kg.
- Providing 2 mounting space in coordination with VESA standard: 75mm x 75mm and 100mm x100mm

Ordering Information

- TF-OPM-H02S-A0
Desktop Stand, Black Color, VESA 75/100, 230mm Height
- TF-OPM-H02S-A1
Desktop Stand, Black Color, VESA 75/100, 280mm Height

OPM-H01S Desktop Stand



Features

- Apply to 15" ~ 24" Medical Station, Slim Medical Panel PC, Medical Display.
- Spinning around high and mighty; able to bear 5 kg to 15kg.
- Providing 2 mounting space in coordination with VESA standard:75mm x 75mm and 100mm x100mm
- The angle of view was designed adjustable for clear vision.
- Flexible angle create brand-new atmosphere of monitors.
- Up-to-date choice in the multimedia era.
- Show yourself and break the limit of environment.
- Regulate as you want to make more space.

Ordering Information

- TF-OPM-H01S
Desktop Stand, Black Color, VESA 75/100, 265mm to 330mm Height

Accessory Selection

Panel PC Accessory Selection

OPM-H08S Desktop Stand



Features

- Apply to 15" ~ 32" Medical Panel PC, Medical Display.
- Spinning around high and mighty; able to bear 2 kg to 20kg.
- Providing 2 mounting space in coordination with VESA standard:75mm x 75mm and 100mm x100mm
- The angle of view was designed adjustable for clear vision
- Flexible angle create brand-new atmosphere of monitors.
- Up-to-date choice in the multimedia era.
- Show yourself and break the limit of environment.
- Regulate as you want to make more space

Ordering Information

- OPM-H08S-A1
Desktop Stand, White Color, VESA 75/100, 310mm to 390mm Height
- OPM-H08S-A2
Desktop Stand, White Color, VESA 75/100, 385mm Height

OPM-H12A VESA Mount Power Adapter Holder



Features

- Design for 1255301202 & 1255301204 with 120W
- Apply to 15" to 24" Medical Station, Slim Medical Panel PC
- Providing 2 mounting spaces in coordination with VESA standard: 75mm x 75mm and 100mm x 100mm

Ordering Information

- » OPM-H12A-A1
VESA mount power adapter holder

Healthcare Infotainment Accessory Selection

OPM-H13A-A1

OPM-H14A-A1

Easi Wall Mount Swivel ARM



Features

- Built in "Gas Spring" for easy movement
- Cable management
- Anti-bacteria coating (optional)

Specifications

MAIN SPECIFICATIONS

	OPM-H13A-A1	OPM-H14A-A1
Feature	Long ARM	
Tile	20° up and 35° down (display) 20° up and 60° down (arm)	
Mounting Option	Wall Mount Type	
VESA	75/100mm	
Material	Aluminum alloy and plastic cover	
Pivot	180°, 370°, 270° (wall, arm, display)	
Extension	1907mm	
Capacity	1-6Kg (2.2-13.2lbs)	6-12kg (13.2-26.4lbs)

OPM-H15A-A1

OPM-H16A-A1

Easi Ceiling Mount Swivel ARM



Features

- Built in "Gas Spring" for easy movement
- Cable management
- Anti-bacteria coating (optional)

Specifications

MAIN SPECIFICATIONS

	OPM-H15A-A1	OPM-H16A-A1
Feature	Ceiling Mount	
Tile	20° up and 35° down (display) 20° up and 60° down (arm)	
Mounting Option	Cell Mount Type	
VESA	75/100mm	
Material	Aluminum alloy and plastic cover	
Pivot	270°, 370°, 270° (ceiling, arm, display)	
Extension	1927mm	
Capacity	1-6Kg	6-12kg

Accessory Selection

Healthcare Infotainment Accessory Selection

OPM-H04A

Ergonomic Wall Mount Swivel ARM



Features

- Durable and easy to clean
- Double Gas springs assisted for high vertical movement
- Fully cable managed

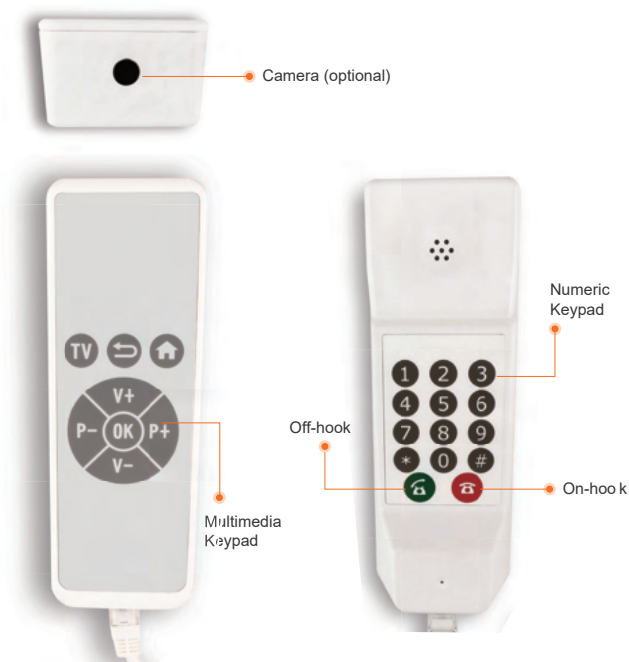
Specifications

MAIN SPECIFICATIONS

Feature	Long ARM
Tilt	20° up and 40° down
Mounting Option	Wall Mount Type
Material	Aluminum alloy and plastic cover
Arm swivel	180°
Overall reach	1700mm
Capacity	1-8Kg

OPM-T018

Smart VOIP Handset



Features

- Extend Onyx Bedside Services closed to the Patients
- Foil keyboard designed for easy cleaning and infection control
- Integrate the hall sensor for auto detection of on and off hook event
- Lockable socket designed for the lost prevention
- Sample code and API available for easy programming of key mapping for different field applications

Specifications

MAIN SPECIFICATIONS

Interface	USB 2.0 with RJ45 Socket
Connection Cable	41cm Curly Cable with RJ45 Plug
On-hook Key	x1
Off-hook Key	x1
Numeric Keypad	1, 2, 3, 4, 5, 6, 7, 8, 9, 0, *, #
Multimedia Keypad	Home, TV, Back, Channel Up, Channel Down, Volume Up, Volume Down, OK
Hall Sensor	x1
Loudspeaker	x1
Microphone	x1
Camera	2 Megapixels x1 (Optional)
Nurse Call Button	x1 (By Request)
Operating Temperature	0°C ~ 40°C(32°F ~ 104°F)
Storage Temperature	-20°C ~ 60°C(-4°F ~ 140°F)
Storage Humidity	10%~95%@35°C, non-condensing
Dimension	54.6(W) x 160(H) x 34.5(D) mm
Net Weight	Approx. 105g