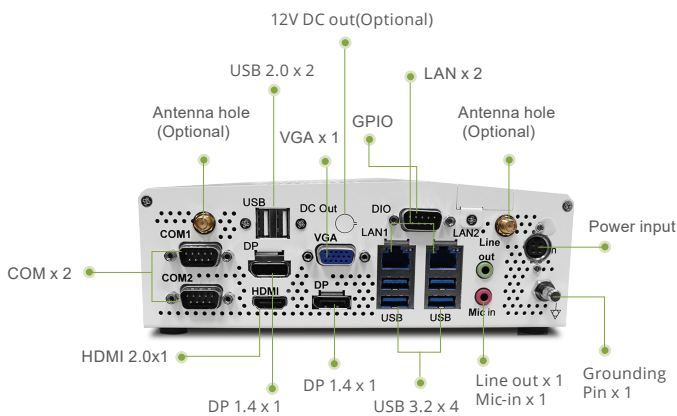
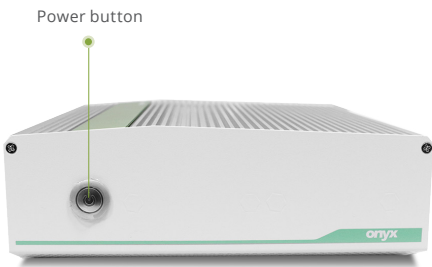


Medical Computer for Medical Device

# MEDPC-9210

High Performance Medical Grade PC with Intel® 13th Generation Core™ iSeries



## Features

- Intel® 13th generation Core i3/i5/i7/i9 Processor
- Supports DDR4 DIMM up to 64GB memory
- Support VESA Mounting and Vertical Stand
- Support TPM 2.0 for security management
- Support USB 3.2 Gen 2 Type A x 4 and USB 2.0 x 2
- Support Optional DC Output
- Optional second layer extension box design
- Support Dual M.2 SSD NVMe Slot
- Support Built in speaker (optional)

## Application

- Equipment control
- Video recording in OR room

## Specifications

### MAIN SPECIFICATIONS

Processor	Intel® 13th generation Core I Processor
System Memory	Supports DDR4 3200 SO-DIMM x 2 up to 64GB
OS Support	Windows® 10 and 11, Linux (optional)
Storage	M.2 M Key PCIe SSD x 2
Storage Disk Drive	2.5" SATA SSD x 1
Security	TPM 2.0
Speaker (Optional)	Built in Speaker

### I/O

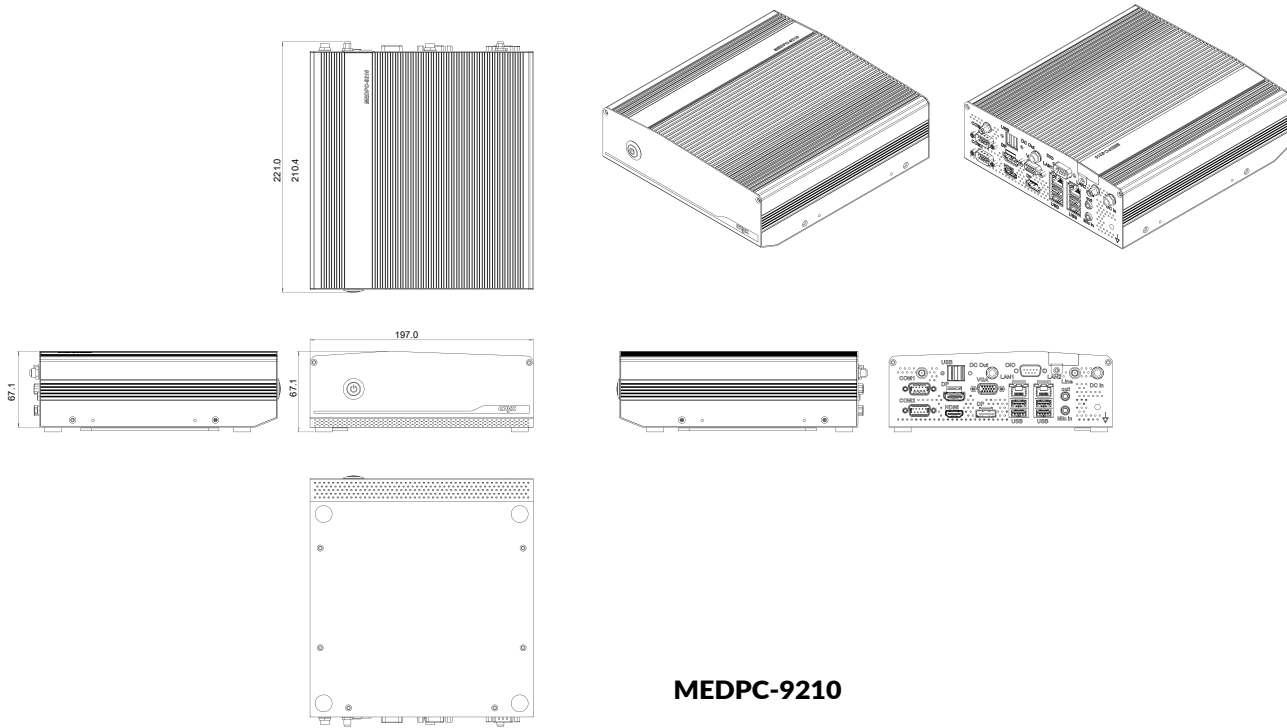
USB	USB 3.2 Gen 2 x 4, USB 2.0 x 2
Serial Port	RS-232 x 2
Display output	DP 1.4 x 2, HDMI 2.0 x 1, VGA x 1
Ethernet	Gigabit LAN x 2
Video Out	Display Port x 1 (Support up to 1920 x 1200 @60 Hz), HDMI 1.4 x 1
Audio	Mic-in x 1 and Line-out x 1
Functional Ports	Grounding Pin x 1, 12V DC Output(optional), COM Port for GPIO
Extension Area	M.2 E Key 2230 x 1 for Wireless module, PCIe 3.0[x16] x1 (Optional)

### MECHANICAL AND ENVIRONMENTAL

Power Consumption	100V to 240V AC Input, 500W
Operating Temperature	0°C ~ 35°C(32°F ~ 95°F)
Storage Temperature	-20°C ~ 60°C(-4°F ~ 140°F)
Dimension	200 x 200 x 67 mm
Package Size	TBD
Gross Weight	TBD
Net Weight	TBD

## High Performance Medical Grade PC with Intel® 13th Generation Core™ iSeries

Dimension / Unit: mm



**MEDPC-9210**



### Ordering Information

- TBD

### Optional Accessories