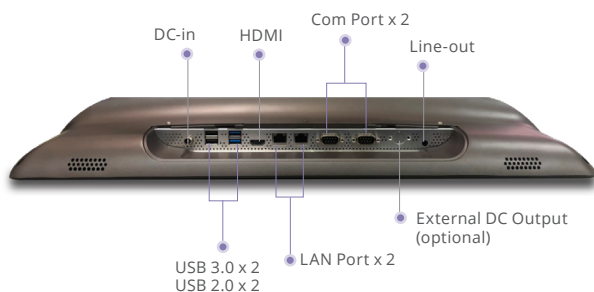
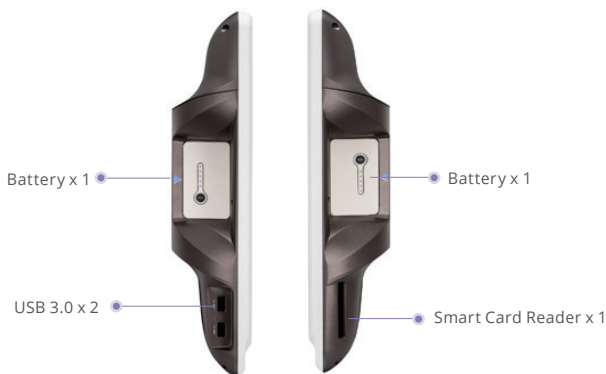


Medical Cart Computer

Venus-243-AMD

23.8" Dual Hot Swappable Battery Medical Cart Computer



Features

- Medical grade certified (EN60601-1/UL60601-1)
- Cleanability with hospital solvents (front IP65/rear IPX1)
- Hot swappable design, support 24/7 run time
- AMD Ryzen™ V1202B / V1605B
- Support remote monitor/control/update (ORION compatible)
- Lightweight design

Specifications

MAIN SPECIFICATIONS

| | |
|------------------------|---|
| Processor | AMD Ryzen™ V1202B / V1605B |
| System Memory | Up to DDR4 32GB |
| OS Support | Microsoft® Windows 10 pro (64bit) Microsoft® Windows 10 IOT Enterprise (64bit) Ubuntu 18.04 LTS |
| Storage | Up to 512 GB (optional) |
| Wireless Communication | 802.11 ac/a/b/g/n + BT 4.0 (optional) |
| Touch | PCAP |
| Speaker | 2W x2 |
| Security | TPM2.0 SmartCard Reader RFID ISO 15693 / 14443A (optional) |

DISPLAY

| | |
|-------------------|----------------|
| Display Size | 23.8" VA panel |
| Resolution | 1920 x 1080 |
| Max. Colors | 16.7M |
| Contrast Ratio | 3000:1 |
| Luminance (cd/m2) | 250 |

I/O

| | |
|-----------|--|
| USB | Rear I/O : USB 3.0 x2, USB 2.0 x2 Side I/O : USB 3.0 x2 |
| Video Out | HDMI |
| COM | COM port x2 (isolated optional) |
| Audio | Combo Audio port x1 |
| Security | Kensington slot |
| Ethernet | Gigabit LAN x 2 |
| DC-in | 24V 2.5mm DC connector x1 |

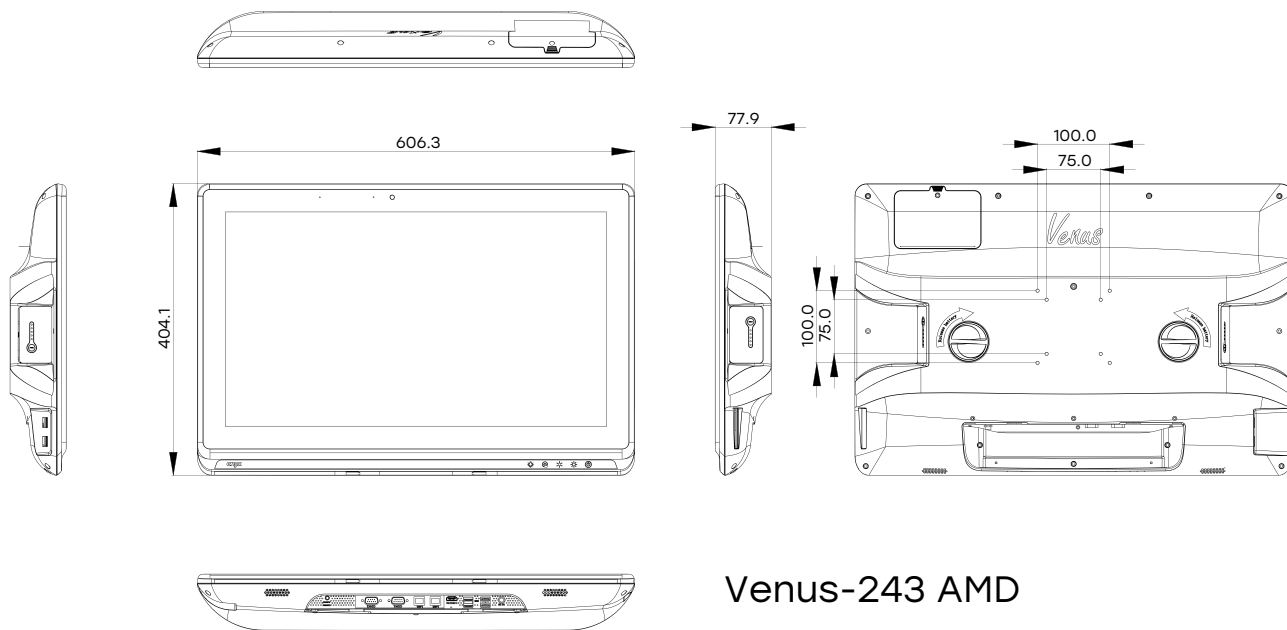
MECHANICAL AND ENVIRONMENTAL

| | |
|----------------------------|---|
| VESA | 75/100 mm VESA mount |
| Operating Temperature | 0°C ~ 40°C(32°F ~ 104°F) |
| Storage Temperature | -20°C ~ 60°C(-4°F ~ 140°F) |
| Storage Humidity | 10%~95%@40°C, non-condensing |
| Degree of Protection | Front Panel: IP65 ; Rear: IPX1 |
| Dimension | 607(L) x 78(W) x 404(H) mm |
| Net Weight without Battery | 8kg (17.6 lbs) |
| Packing Size | 730(L) x 240(W) x 550(H) mm |
| Gross Weight | 12kg (26.5 lbs) |
| Certifications | CE: EN 60601-1-2:2015(V4.0), EN 60601-1:2006/ A1:2013(V3.1) FCC: Part 18 Class B UL: ANSI/AAMI ES60601-1:2012 (V3.1) cUL: CAN/CSA-C22.2 No. 60601-1:2014 (V3.1) |

ALL PRODUCT, PRODUCT SPECIFICATIONS AND DATA ARE SUBJECT TO CHANGE WITHOUT NOTICE TO IMPROVE RELIABILITY, FUNCTION OR DESIGN OR OTHERWISE.

23.8" Dual Hot Swappable Battery Medical Cart Computer

Dimension / Unit: mm



Venus-243 AMD



Ordering Information

- VENUS-243-G12-A1-0402
Cart Computer.AMD V1202B . 24". 4G. SCR . TPM . XL Battery x2

Optional Accessories

- 1255301501
Medical Adaptor. 100-240V/1.0-2.5A 24V/6.25A 150W
- OPM-S02R-A1
RFID Reader Kit
- OPM-C15W-A8
WLAN dual band module Kit . Intel 802.11a/b/g/n/ac +BT 5
- UP-L62-A1-1010
6-Slot Charger + 24V/250W adaptor
- UP-P22-A2-1010
2-Slot Charger + 24V Medical adaptor
- OPM-V02C-05
5MP Camera kit with Mic