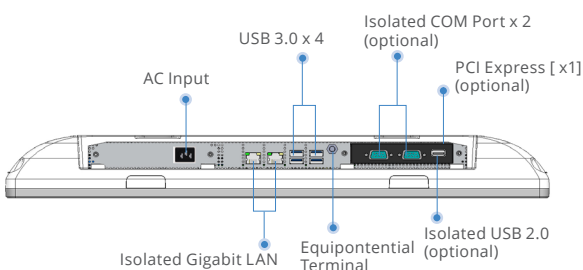
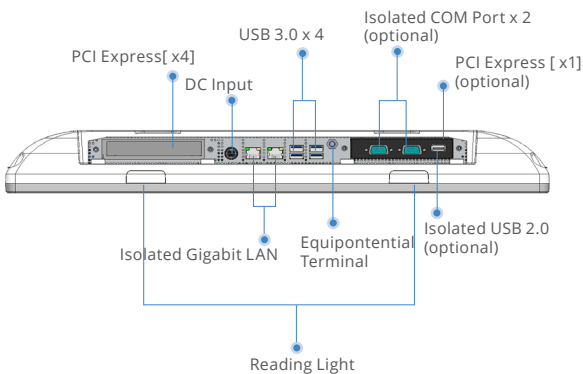
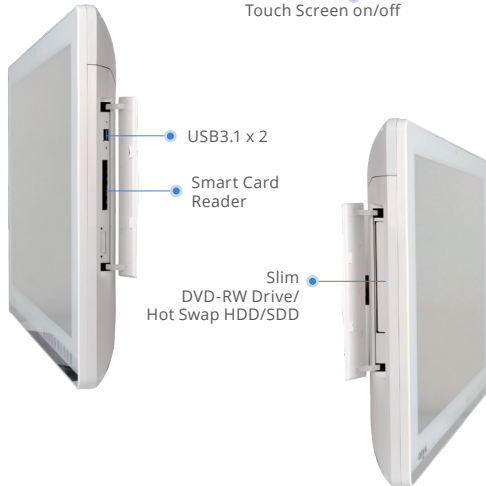
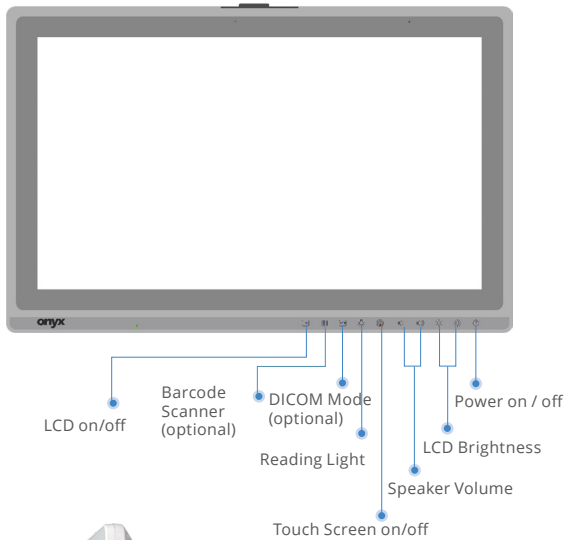


# Professional Medical All in One PC

## ZEUS-228

### 22" Fanless 7th Generation Core i7 Professional Medical All in One PC



## Features

- Intel® 7th Generation Core™ i7-7600U 3.9GHz Dual Core Processor
- 22" 250nits Full HD High Contrast LCD
- Support DDR4 SODIMM up to 32GB
- Capacitive Multi-Touch Screen
- Easy Cleaning Flat Screen
- 10 Programmable Smart Function Keys with Dual Colors LED Status Indication
- LAN /USB (optional)/COM(optional) Medical Isolation
- Super Speed 10Gb/s USB 3.1 Port
- PCI Express[x4] x 1, PCI Express[x1] x1(optional)
- Trusted Platform Module/Smart Card Reader(optional)/RFID Reader(optional)
- Remote Management : Inte Active management Technology
- +12V to +24V Wide Range DC Input / 100V to 240V AC input
- 25Wh Backup Battery (optional)

## Specifications

### MAIN SPECIFICATIONS

Processor	Intel® 7th Generation Core i7-7600U 3.9GHz Dual Core
System Memory	DDR4 SODIMM up to 32GB
Expansion	PCI Express[x4] x 1, PCI Express[x1] x1(optional)
Storage Disk Drive	2.5" SATA Hard Disk Drive/SSD x 1 Slim DVD-RW Drive x 1(optional) M.2 SSD x 1
Security	Trusted Platform Module, Smart Card reader(optional), RFID reader(optional)
Wireless Communication	802.11ac(optional), Bluetooth 5.1 (optional)
Speaker	5W x 2
Function Key	Speaker Volume Up/Down, LCD Brightness Up/Down, LCD On/Off, Touch Screen On/Off, DICOM Mode(optional), Reading Light On/Off
Power Requirement	DC12~24V, /AC 100~240V ,25Wh Back up battery(optional)
OS Support	Windows® 10, Linux®

### DISPLAY

Size	22" LCD
Resolution	1920 x 1080
Luminance	250 nits
View Angle	178°(H)/178°(V)
Contrast Ratio	1000:1
Back Light Life Time	50,000 Hours
Touch Screen	Capacitive Multi-Touch

### I/O

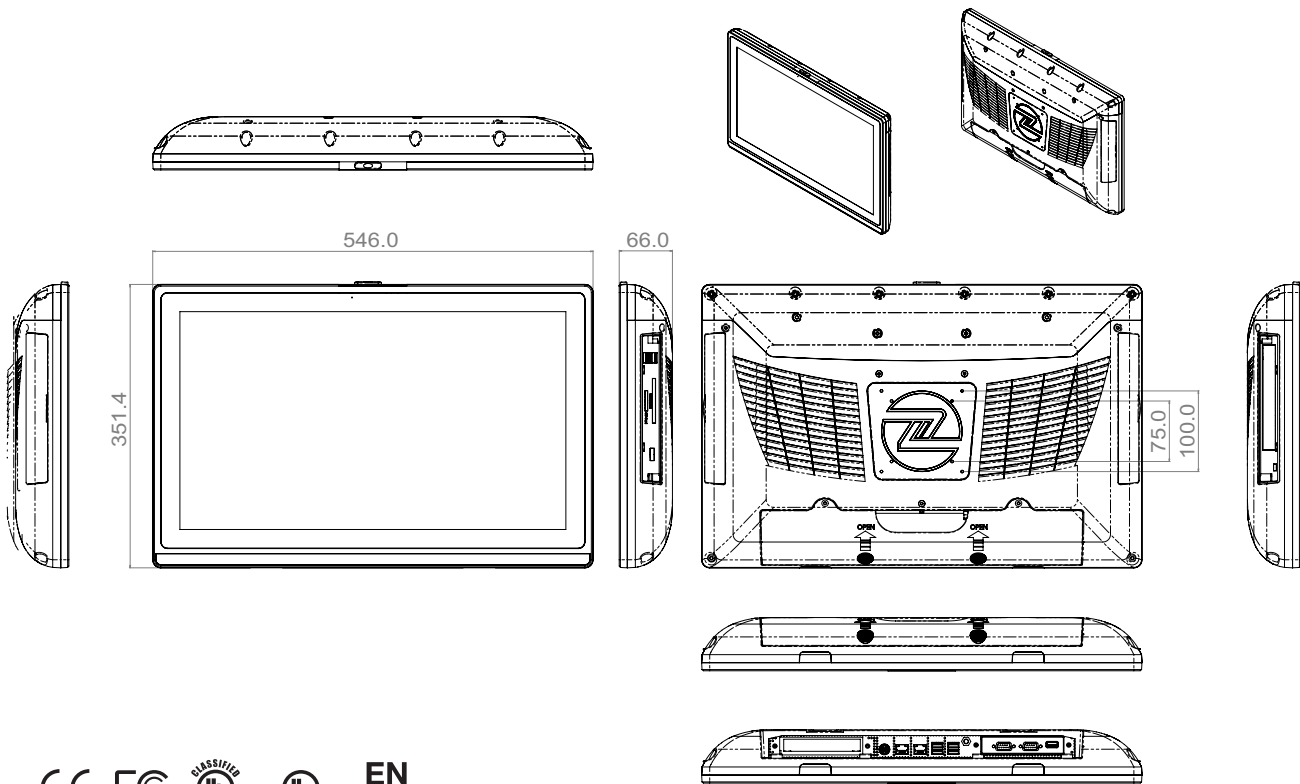
USB	USB 3.0 x 4, USB 3.1 x 2(side I/O) Isolated USB 2.0(optional)
Serial Port	Isolated RS-232 x 2(optional)
Ethernet	Isolated Gigabit LAN x 2
Video out	Display Port 1.2 x 1(optional)

### MECHANICAL AND ENVIRONMENTAL

Power Consumption	Full Loading: 55 Watts
Operating Temperature	0°C ~ 40°C(32°F ~ 104°F)
Storage Temperature	-20°C ~ 60°C(-4°F ~ 140°F)
Mounting	VESA 75/100 mm
Degree of Protection	IP65 in the front, IP54 in the back
Dimension	546 x 352 x 66mm
Package size	750 x 220 x 490 mm
Gross Weight	12 kg (26.45 lb)
Net Weight	8kg (17.6lb)
Certifications	CE: EN 60601-1-2:2015(V4.0), EN 60601-1:2006/A1:2013(V3.1) FCC: Part 18 Class B UL: ANSI/AAMI ES60601-1:2012 (V3.1) cUL: CAN/CSA-C22.2 No. 60601-1:2014 (V3.1)

## 22" Fanless 7th Generation Core i7 Professional Medical All in One PC

### Dimension / Unit: mm



### Ordering Information

- ZEUS-228ST-A25-1010  
i7-7600U, 22" LCD. 12~24V DC. Capacitive Touch
- ZEUS-228ST-A26-1010  
i5-7300U, 22" LCD. 12~24V DC. Capacitive Touch
- ZEUS-228ST-B25-1010  
i7-7600U, 22" LCD. 100~240V AC. Capacitive Touch
- ZEUS-228ST-B26-1010  
i5-7300U, 22" LCD. 100~240V AC. Capacitive Touch

### Optional Accessories

- 1255301202  
Medical Power Adapter, 120W, 24V
- OPM-C15W-A6  
WLAN Kit, IEEE 802.11ac + Bluetooth 5.1
- OPM-T003-A4  
Slim Slot-in DVD-RW Drive
- OPM-T006-A1  
Smart Card Reader Kit
- OPM-P09C-A2  
25Wh Backup Battery
- OPM-C02C-A4  
Two Isolated RS-232 PCIe Card
- OPM-C02C-A3  
One Isolated USB 2.0 + Two Isolated R-232 PCIe Card
- OPM-V03B-A1  
One Display Port + Two RS-232 Kit
- OPM-V03B-A2  
One Display Port Kit
- OPM-T017-A1  
Hot Swap Rack w/Lock Kit for 2.5" HDD/SSD
- OPM-T012-A2  
Two RS-232 Kit
- OPM-V04B-A2  
DICOM Kit
- OPM-R02X-A1  
PCI Express [X1] Riser Kit
- OPM-U01T-A1  
Line-out/Line-in/Mic Kit
- OPM-S07R-A8  
RFID Reader Kit
- OPM-U02T-A2  
One RS-232 + Line-out/Line-in/Mic Kit