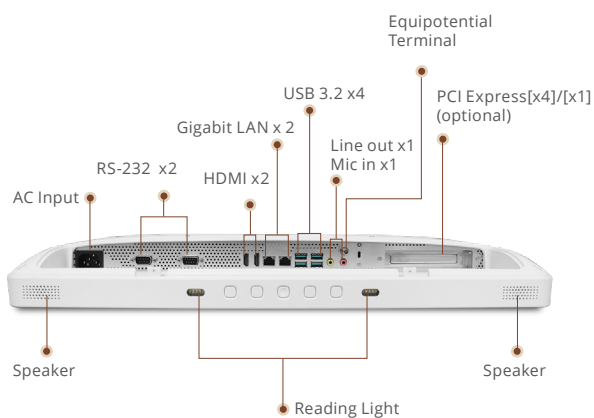


Powerful Medical All in One PC

MATE2-2412

24" Fanless 13th Generation Core i9 Powerful Medical All in One PC



Features

- Intel® 13th Generation Core™ i9/ i7/ i5 /i3 Processor
- Supports Dual Channel DDR5 5600/4800 SODIMM up to 64GB
- 24" Full HD Wide Viewing Angle LCD
- Capacitive Multi-Touch Screen
- Two Gigabit Ethernet
- High Speed USB 3.2 Gen2 Ports
- RS-232 x 2
- 8MP Camera with Mic (optional)
- PCI Express [x4] / [x1] x1 (optional)
- Imprivata RFID Reader (optional)
- Reading Light

Specifications

MAIN SPECIFICATIONS

Processor	Intel 13th Generation Core i9-13900TE 24 Cores 5.00GHz Intel 13th Generation Core i7-13700TE 16 Cores 4.80GHz Intel 13th Generation Core i5-13500TE 14 Cores 4.50GHz Intel 13th Generation Core i3-13100TE 4 Cores 4.10GHz
System Memory	Supports Dual Channel DDR5 5600/ 4800 SODIMM up to 64GB
Expansion Interface	PCI Express[x4]/[x1] x1 (optional)
OS Support	Windows® 10, Windows® 11, Linux®
Storage Disk Drive	M.2 2280 SATA SSD x 1 2.5" SATA Hard Disk Drive/SSD x 1 (optional)
Security	Trusted Platform Module 2.0 , Imprivata RFID Reader (optional)
Wireless Communication	802.11 ac/a/b/g/n(optional), 802.11 ax (optional), Bluetooth 5 (optional)
Speaker	2W x 2
Function Key	LCD Brightness Up/Down, Touch Screen On/Off, Reading Light On/Off
Power Requirement	AC 100~240V / DC 12V/24V

DISPLAY

Size	24" LCD
Resolution	1920 x 1080
Luminance	250 nits
View Angle	178°(H)/178°(V)
Contrast Ratio	3000:1
Back Light Life Time	30,000 Hours
Touch Screen	Capacitive Multi-Touch

I/O

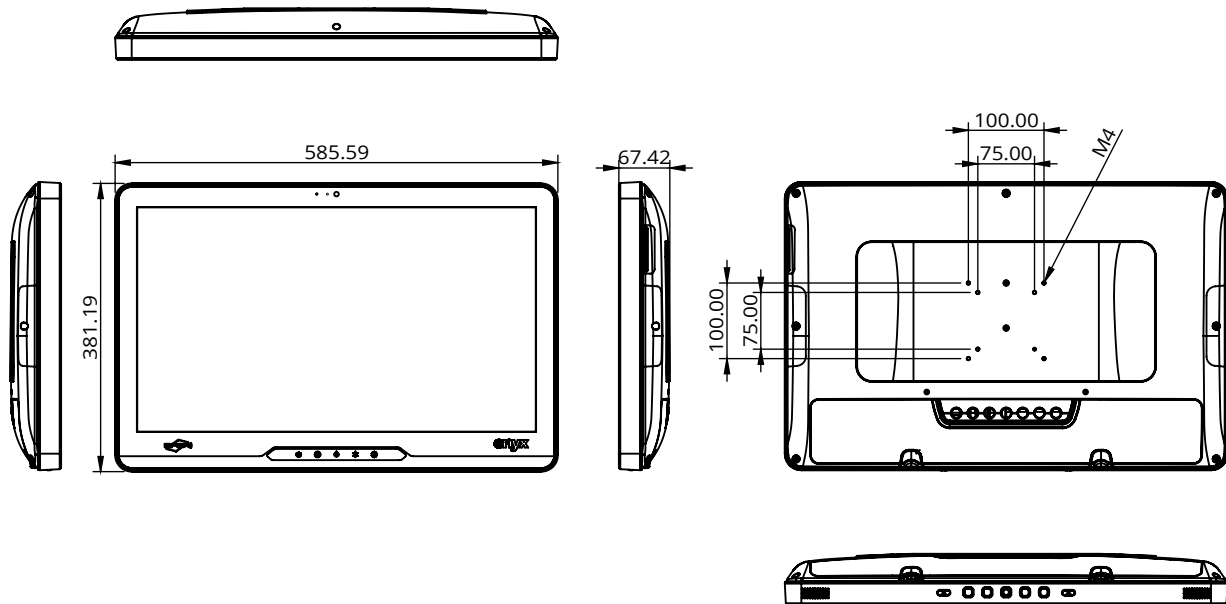
USB	USB 3.2 Gen 2 x 2 ,USB 3.2 Gen1 x2
Serial Port	RS-232 x 2 or x1
Ethernet	1.5KV Isolated Gigabit LAN x 2
Video Out	HDMI 2.0 x 2 (Supports resolution up to 3840 x 2160)
Audio	Mic-in, Line-out

MECHANICAL AND ENVIRONMENTAL

Operating Temperature	0°C ~ 35°C(32°F ~ 95°F)
Storage Temperature	-20°C ~ 60°C(-4°F ~ 140°F)
Mounting VESA	75/100 mm
Degree of Protection	IP65 in the front ; IP54 in the back
Dimension	586 x 381 x 67mm
Package Size	755 x 195 x 528mm
Gross Weight	14 kg (30.86 lb)
Net Weight	8.7 kg(19.2 lb)
Certifications	CE: EN 60601-1-2:2015(V4.0), EN 60601-1:2006/A1:2013(V3.1) FCC: Part 18 Class B UL: ANSI/AAMI ES60601-1:2012 (V3.1) cUL: CAN/CSA-C22.2 No. 60601-1:2014 (V3.1)

24" Fanless 13th Generation Core i9 Powerful Medical All in One PC

Dimension / Unit: mm



Ordering Information

- MATE2-2412-P1-A1-0010
Medical Panel PC, 24" LCD, Capacitive Touch, i9-13900TE, AC 100~240V
- MATE2-2412-P2-A1-0010
Medical Panel PC, 24" LCD, Capacitive Touch, i7-13700TE, AC 100~240V
- MATE2-2412-P3-A1-0010
Medical Panel PC, 24" LCD, Capacitive Touch, i5-13500TE, AC 100~240V
- MATE2-2412-P4-A1-0010
Medical Panel PC, 24" LCD, Capacitive Touch, i3-13100TE, AC 100~240V
- MATE2-2412-P1-A2-0010
Medical Panel PC, 24" LCD, Capacitive Touch, i9-13900TE, RFID Reader, AC 100~240V
- MATE2-2412-P2-A2-0010
Medical Panel PC, 24" LCD, Capacitive Touch, i7-13700TE, RFID Reader, AC 100~240V
- MATE2-2412-P3-A2-0010
Medical Panel PC, 24" LCD, Capacitive Touch, i5-13500TE, RFID Reader, AC 100~240V
- MATE2-2412-P4-A2-0010
Medical Panel PC, 24" LCD, Capacitive Touch, i3-13100TE, RFID Reader, AC 100~240V

Optional Accessories